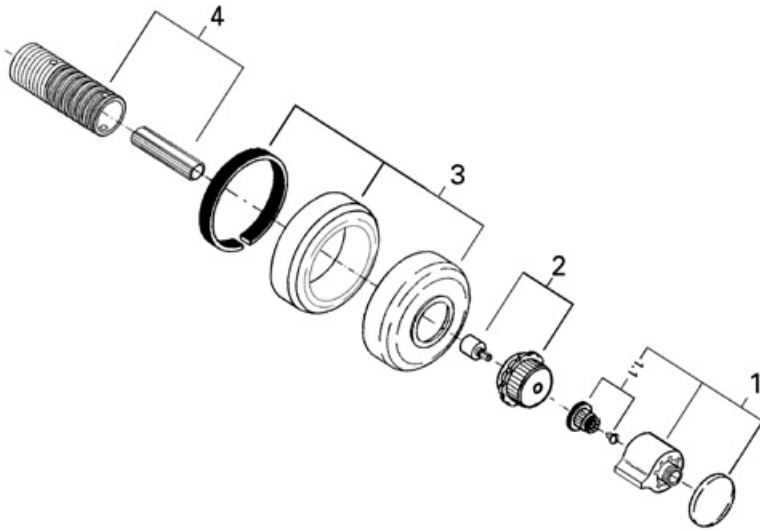


Exploded View



Parts Breakdown

Pos No.	Spare Part Description	Product No.	Pcs.
	19 903		
1	Handle	45 649	1
1.1	Handle connection set	45 186	1
2	Secondary spindle	45 438	1
3	Diverter escutcheon 19 903	45 433	1
3	Diverter escutcheon 19 905	45 435	1
4	Extension for 19 903	45 439	1