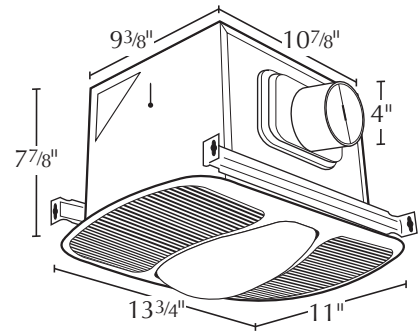




SPECIFICATIONS
AKF100D
 EXHAUST FAN WITH LIGHT

HVI CERTIFIED 2100
100 CFM/1.5 Sones @ 0.10" SP., 84 CFM @ 0.25" SP., 120 Volts, 60 Hz.
50 CFM/<0.3 Sones @ 0.10" SP., 33 CFM @ 0.25" SP., 120 Volts, 60 Hz.

- **Grill**
 White, polymeric grill secured in place with torsion springs; easily removed if necessary, dimensions - 11" x 13³/₄". Moonstone glass lens.
- **Blower Wheel**
 Balanced polymeric dual inlet blower wheel 5¹/₄" dia. x 2²⁷/₃₂" depth, 30 paddles, secured in place via press fit.
- **Motor**
 Enclosed 4 pole electronically balanced permanently split capacitor motor (PSC); life time lubricated, suitable for continuous operation. Motor bearings - ball. Rated 115/120 volts, 60 Hz, 0.35 amps.
- **Fan Housing**
 23 gauge galvanized steel housing. Overall dimensions 10⁷/₈" x 9³/₈" x 7⁷/₈".
- **Duct Collar**
 4" round, zinc plated metal collar adapter. 4" spring loaded aluminum backdraft damper.
- **Ventilating Area**
 For bathrooms up to 100 sq. ft. For other rooms up to 125 sq. ft.
- **Electrical Connections**
 1/2" electrical knockouts provided. Easy wiring access via either internal or external wiring compartment cover.
- **Lighting**
 Electronic Quick Start Ballast – rated 26 Watt – Use Triple 4 pin PL lamp. Maximum 26 Watt.



Acceptable for use over tub or shower when installed in a GFCI protected branch circuit.



- **Unit Mounting**
 The housing will mount in ceilings with at least 8" of clearance and through drywall thickness up to 3/4", with a rough-in opening of 11¹/₈" x 9⁵/₈". Rated for ceilings insulated to R-40. The housing will mount either between 16" or 24" on center joists, using the 4 supplied housing mounting rails. The housing mounting rails can be adapted for overhead mounting (hardware not provided).
- **Single Pack Shipping Info**
 Box Dim Box Dim: 14¹/₈" x 11⁵/₈" x 12"
 Shipping Weight: 11.5 lbs.

EXPANDED PERFORMANCE											
Air Flow - CFM	Static Pressure (inches of w.g.)							Sones @ .1 SP	Sones @ .25 SP	Fan Speed RPM	Power Watts
	0	0.05	0.1	0.15	0.2	0.25	0.35				
High Speed	108	104	100	95	90	84	70	1.5	1.5	1182	29.4
Low Speed	55	53	50	46	41	33	0	<0.3	<0.3	899	26.6

PROJECT							ARCHITECT			
LOCATION							ENGINEER			
CONTRACTOR							SUBMITTED BY			DATE
FAN NUMBER	MODEL NUMBER	CFM	IN W.G.	RPM	WATTS	AMPS	SONES	QTY	OPTIONAL EQUIPMENT & REMARKS	



U.S.: 820 Lincoln Avenue
 West Chester, Pennsylvania 19380-4466
 Tel: (610) 692-7400 • 877-304-3785
 Fax: (610) 696-8048

Canada: 8 Edvac Drive
 Brampton, Ontario L6S 5P2
 Tel: (905) 456-2033
 Fax: (905) 456-1015