



**SPECIFICATIONS**

**ESDQ**

**RANGE HOODS**

**HVI CERTIFIED** 270 CFM/4.0 Sones (Vertical) @ 0.10" S.P.  
 150 CFM/1.5 Sones (Vertical) @ 0.10" S.P., 42.7 Watts  
 270 CFM/3.5 Sones (Horizontal) @ 0.10" SP.  
 150 CFM/1.1 Sones (Horizontal) @ 0.10" SP., 42.4 Watts

**Dimensions**

Overall bottom projection - 19 1/2"  
 Height - 7 1/2"  
 Widths - 24", 30", 36"

**Hood Body**

Stainless Steel or 24 gauge cold rolled steel, auto welded, powder coated

**Motor**

3 speed, thermally protected, permanently lubricated motor. Rated 120 volts, 60 hz. with two electronically balanced blower wheels

**Lighting**

Includes 26 Watt GU24 base self ballasted lamp (included)

**Ducting Options**

Horizontal, Vertical ducting: 3 1/4" x 10" (duct adapter and damper included).  
 Ductless\*: removable front vent (charcoal filter not included)

**Mounting**

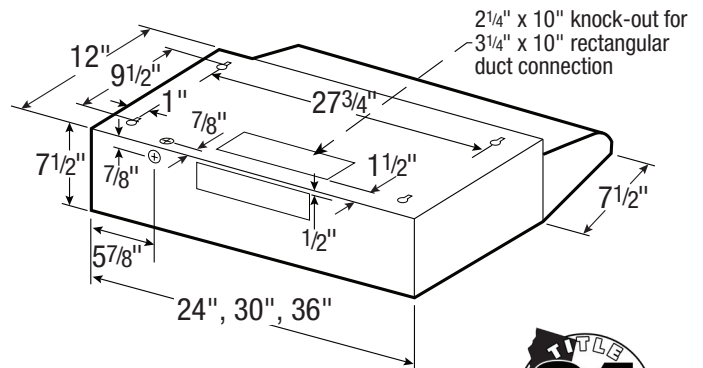
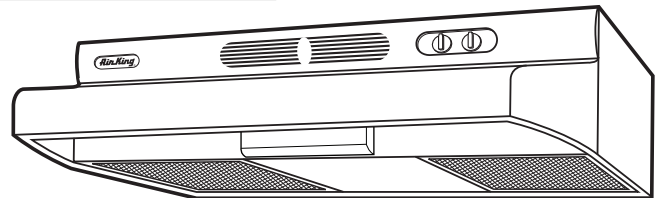
Wall mounted. Install 20" to 30" from cooking surface.

**Filters**

Grease Filter (included): GF-01 (30", 36" models), GF-07 (24" models).  
 Charcoal Filter (not included): CF-01 (30", 36" models), CF-07 (24" models).

**Available Finishes**

Stainless Steel (ESDQ1248, ESDQ1308, ESDQ1368),  
 White (ESDQ1243, ESDQ1303, ESDQ1363), Biscuit (ESDQ1244, ESDQ1304, ESDQ1364),  
 Almond (ESDQ1245, ESDQ1305, ESDQ1365), Black (ESDQ1246, ESDQ1306, ESDQ1366)



**EXPANDED PERFORMANCE**

Air Flow - CFM	Static Pressure (inches of w.g.)						Sones @ .1 SP	Fan Speed RPM	Power Watts	Amps
	0	0.1	0.125	0.15	0.2	0.25				
Horz Ducting High Speed	311	270	261	251	225	188	3.5	1653	73.0	1.0
Horz Ducting Med Speed	216	200	195	190	176	142	2.5	1612	58.0	1.0
Horz Ducting Low Speed	163	150	144	137	66	-	1.1	1229	42.4	1.0
Vert Ducting High Speed	310	270	261	251	225	192	4.0	1653	73.0	1.0
Vert Ducting Med Speed	216	200	195	190	176	142	2.5	1612	58.0	1.0
Vert Ducting Low Speed	159	150	148	142	114	44	1.5	1189	42.7	1.0

<b>PROJECT</b>							<b>ARCHITECT</b>			
<b>LOCATION</b>							<b>ENGINEER</b>			
<b>CONTRACTOR</b>							<b>SUBMITTED BY</b>			<b>DATE</b>
FAN NUMBER	MODEL NUMBER	CFM	IN W.C.	RPM	WATTS	AMPS	SONES	QTY	OPTIONAL EQUIPMENT & REMARKS	



**U.S.:** 820 Lincoln Avenue  
 West Chester, Pennsylvania 19380-4466  
 Tel: (610) 692-7400 • 877-304-3785  
 Fax: (610) 696-8048

**Canada:** 8 Edvac Drive  
 Brampton, Ontario L6S 5P2  
 Tel: (905) 456-2033 • 800-250-8767  
 Fax: (905) 456-1015

\* The ENERGY STAR Program for Residential Ventilating Fans has no provision for qualification of ductless rangehoods (recirculating not ventilating), as a result the ENERGY STAR program applies to ducted rangehoods only. Specifications subject to change without notice.