

American Standard

TOWN SQUARE™ ACCESSORIES

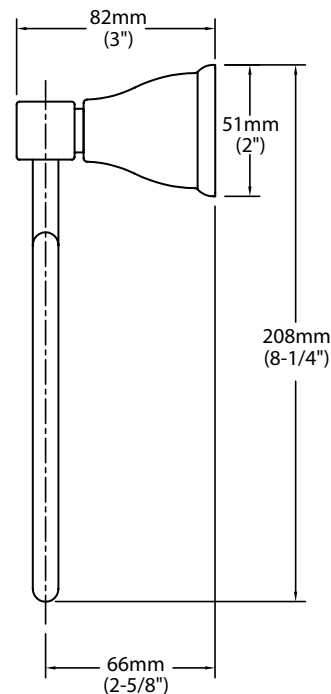
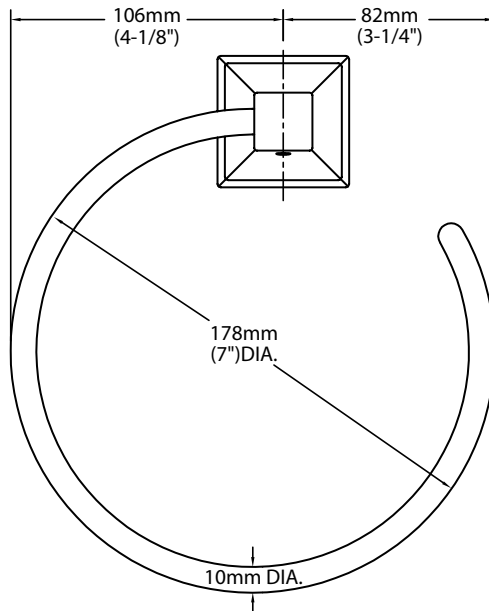
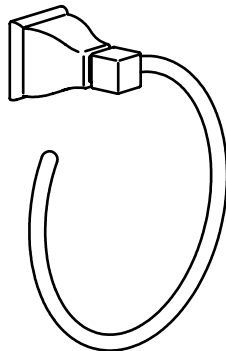
TOWEL RING

MODEL NUMBER:

2555.021 Towel Ring

Available Finishes

.002	Polished Chrome
.099	PVD Polished Brass
.295	PVD Satin



PRODUCT FEATURES:

Heavy duty construction: Highest quality materials for durability & long life.

Concealed Mounting

Materials of Construction: Towel ring tube - 10mm thick brass. Body and Escutcheon - brass.

Easy to Install

Choice of Finishes: To match Chrome, PVD Brass and PVD Satin finishes. PVD finish on all Polished Brass and Satin components will never tarnish.

SUGGESTED SPECIFICATION:

Towel Ring shall feature heavy - duty construction. Shall feature concealed mounting. Towel Ring tube shall be 10mm thick brass tube. Towel Ring shall be American Standard Model # 2555.021.____.