



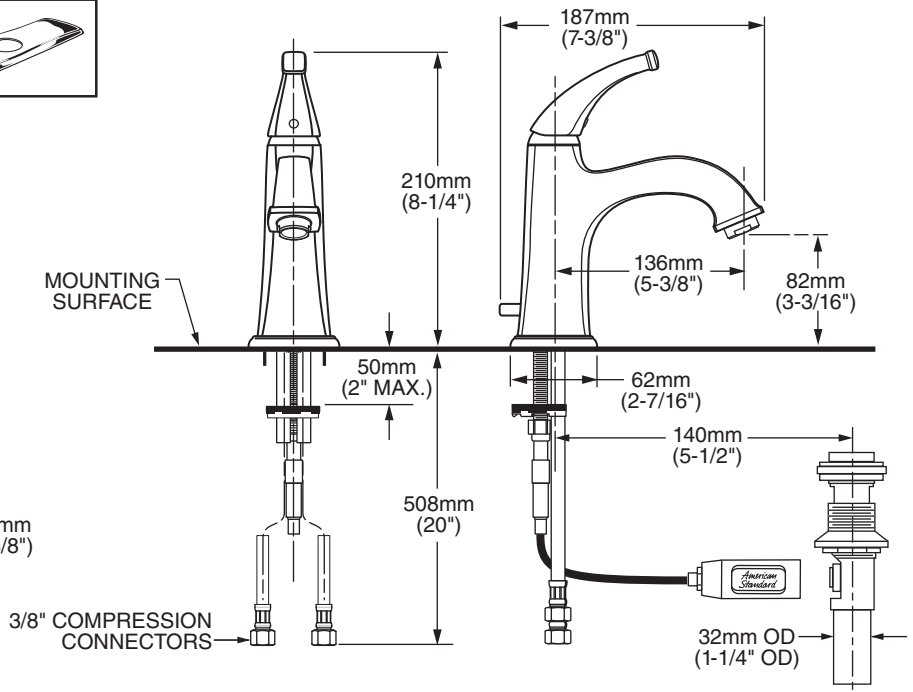
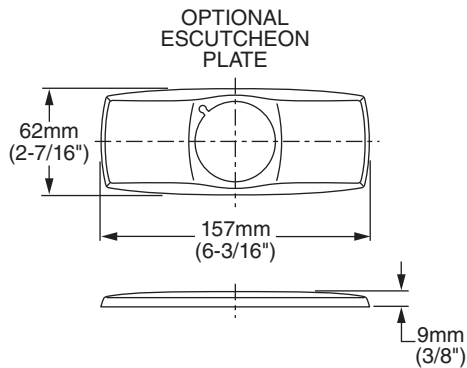
\* WaterSense® approval pending

**MODEL NUMBER:**

- ❑ **2555.101 Town Square Single Control Monoblock**  
 Metal lever handle. Metal Speed Connect® pop-up drain.

**AVAILABLE ACCESSORY:**

- ❑ **2555.101P Escutcheon Plate Only**



**GENERAL DESCRIPTION:**

Cast brass body. Metal lever handle. Washerless 28mm ceramic disc valve cartridge. Braided flexible supply hoses with 3/8" compression connectors. 20" (500mm) long flexible stainless steel drain cable is pre-assembled to faucet body. Metal Speed Connect® drain body with 1-1/4" (32mm) tail piece. 1.5 gpm/5.7L/min. maximum flow rate. Fitting can be mounted on 4" centers using optional escutcheon (2555.101P) or single hole mounting method.

**PRODUCT FEATURES:**

**Brass Construction:** Durable. Easy to clean. Ideal for prolonged contact with water.

**Ceramic Disc Valve Cartridge:** Assures a lifetime of smooth handle operation and drip-free performance.

**Lead Free:** Faucet contains ≤ 0.25% total lead content by weighted average.

**Exclusive Speed Connect Metal Drain:**

- Fewer parts. Installs in less time.
- No adjustments required - seals the first time, every time.
- Flexible stainless steel cable - installs effortlessly in tight spaces.

**Choice of Finishes:** Available in Polished Chrome or Satin Nickel (PVD).

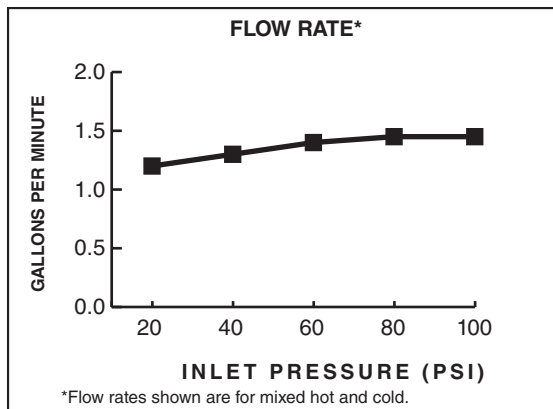
**SUGGESTED SPECIFICATION:**


Single control lavatory faucet shall feature a brass body and metal lever handle. Fitting shall be equipped with flexible supplies with 3/8" compression connectors. Shall also feature washerless ceramic disc valve cartridge. Shall also feature a metal drain body with stainless steel cable actuation. Fitting shall be American Standard Model # 2555.101.\_\_\_\_.


**CODES AND STANDARDS**

These products meet or exceed the following codes and standards:

- ANSI A117.1**
- ASME A112.18.1**
- NSF 61/Section 9 and Annex G**
- CSA B125.1**



Product Number	Description	Finish Options	
		Polished Chrome	PVD Satin Nickel
		002	295
2555.101	Town Square Single Control Monoblock. Metal Speed Connect® pop-up drain. 		
2555.101P	Optional Escutcheon Plate Only (For Mounting on 4" Centers)		

 Meets the American Disabilities Act Guidelines and **ANSI A117.1** Requirements for the physically challenged.