

# Walk-In Bath

3260 SERIES 32" X 60"  
SOAKING TUB, AIR SPA & WHIRLPOOL

*American Standard*

Style That Works Better

[americanstandard.com](http://americanstandard.com)

## SAFETY. COMFORT. BEAUTY. VALUE.

There is no sacrifice with American Standard Walk-In Baths. Deep and spacious, all of our walk-in baths are thoughtfully designed to provide accessible and comfortable bathing experiences. Our Walk-In Baths offer popular features and beneficial options at a competitive price point well suited for all of your project needs. Choose a traditional soaking tub, or add the therapeutic benefits of a whirlpool, air spa or combination massage. Either way, you can trust American Standard to provide innovative features along with the quality, reliability, and service you have come to expect with our 130 year heritage.



### MODEL 3260.210

- Acrylic walk-in bath
- 32" wide x 60" long x 37½"
- Operating capacity: 80 gallons
- Color: white or linen
- Left hand or right hand door and drain



#### Quick Drain®

Our exclusive Quick Drain® technology empties tub in less than two minutes and requires no additional plumbing. Spend less time waiting with this patent pending innovation.

### BUILT-IN FEATURES

- Free standing metal support frame
- Large walk-in tub door
- Built-in chair-height seat
- Color matched drain assembly and grab bar
- Textured tub floor
- Pump and fixture access panels
- Lifetime warranty on door seal; 15 year on the tub shell; 10 years on components

### OPTIONS

- Whirlpool heater
- Chromatherapy
- Neck rest
- Universal Wall Surround
- 24" chrome grab bar
- Quick Drain®



#### Whirlpool

Enjoy therapeutic benefits of deep massage



#### Air Spa

A gentle effervescent experience



#### Combination

Combines both Air Spa and Whirlpool systems for a full in-home spa experience.

# 32" X 60" WALK-IN BATH, SOAKING TUB, AIR SPA & WHIRLPOOL

## 3260.210.SXX Soaking Tub

- Acrylic with fiberglass reinforcement
- Free standing metal support frame with five adjustable leveling feet
- Patented door system technology
- Contoured, 17" high, built-in seat
- Built-in grab bar and textured tub floor
- Faucet / accessory deck areas
- Color matched cable driven drain assembly

## 3260.210.WXX Whirlpool system

- 1 HP variable flow pump system
- 12 adjustable massage jets
- Automatic Tub Cleaning System - Ozone

## 3260.210.AXX Air Spa system

- 1 HP variable flow heater blower
- Multiple seat and floor air injectors
- Automatic purge cycle

## 3260.210.CXX Combo system

- Combines Whirlpool and Air Spa System

### Nominal Dimensions:

32" x 60" x 37-1/2"  
(813 x 1524 x 953mm)

### Compliance Certifications -

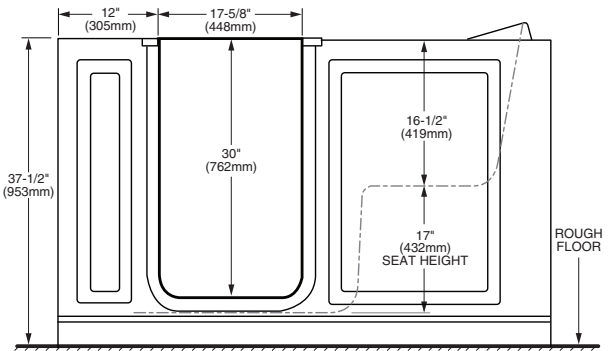
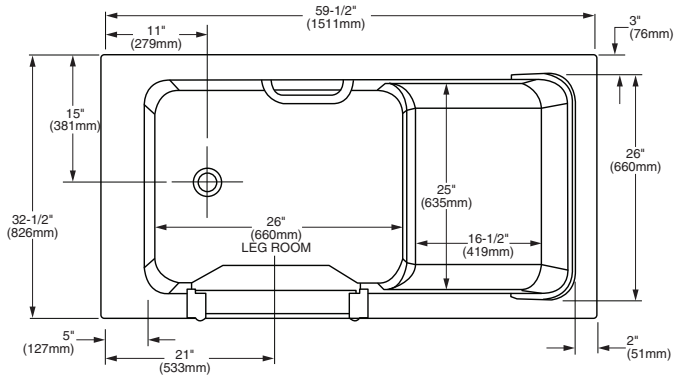
#### Meets or Exceeds the Following Specifications:

- ETL – INTERTEK SEMKO
- IAPMO - USPC
- ANSI Z 124.1.2 –for Plastic Bathtubs
- ASME A112.19.7 – Whirlpool Appliances
- ASME A112.19.15 –for Walk-in Bathtubs
- CSA B-45.5 – Canadian Plumbing Fixtures

#### To Be Specified - Required:

- Drain Configuration: Left (L) Or Right (R)
- Color: White (W) Or Linen (L)
- Faucet
- Whirlpool Heater\*: 9ILH (Whirlpool System Only)
- Chromatherapy: 9CTP
- Neck Rest: 9NR

\* **NOTE:** The whirlpool heater is designed to maintain water temperature during operation. It will not heat cold water to desired bathing temperature.



GENERAL SPECIFICATIONS FOR 3260.210.XXX WALK-IN BATHING TUB	
INSTALLED SIZE	60 x 32 x 37-1/2 In. (1524 x 813 x 953mm)
WEIGHT	210 Lbs. (95 Kg.)
WEIGHT w/WATER	877 Lbs. (398 Kg.)
OPERATING GALLON	80 Gal. (302 L.)
FLOOR LOADING (PROJECTED AREA)	65 Lbs./Sq. Ft. (321.25 Kgs/Sq. m.)
CUBE (FT <sup>3</sup> )	41.7

#### NOTES:

TUB IS SUPPORTED BY THE FRAME AND FIVE INTEGRATED ADJUSTABLE FEET, NO ADDITIONAL SUPPORT IS REQUIRED.

REFER TO INSTALLATION INSTRUCTIONS SUPPLIED WITH TUB FOR ADDITIONAL INFORMATION.

FAUCET NOT INCLUDED AND MUST BE ORDERED SEPARATELY.

PROVIDE SUITABLE REINFORCEMENT TO SUB FLOOR FOR ALL SUPPORTS.

**IMPORTANT:** Dimensions of fixtures are nominal, may vary and are subject to change or cancellation. No responsibility is assumed for use of superseded or voided leaflet.