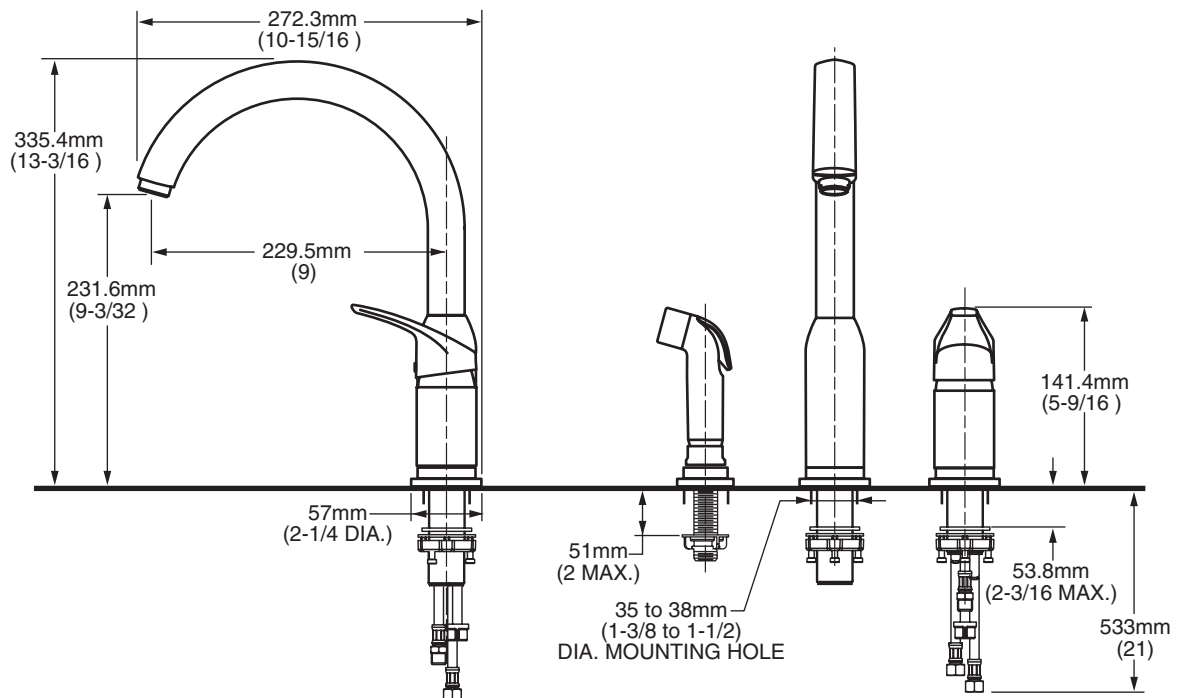




MODEL NUMBER:

- 4101.301 Kitchen Faucet With Hi-Flow Spout**
Color-matched Handspray.



GENERAL DESCRIPTION:

Brass body with metal lever handle. Hi-Flow brass swivel spout (13-3/16" high with 9-3/32" clearance). Washerless 40mm ceramic disc valve cartridge. Braided flexible supply hoses with 3/8" compression connections. 2.2gpm/8.3L/min. maximum flow rate. Color-matched handspray. Cap provided for less spray application. Flexible hose connections allow for variation in placement of handle, spout and spray. Optional deck plate (4101.000P) available.

PRODUCT FEATURES:

Ceramic Disc Valve Cartridge: Assures a lifetime of drip-free performance.

Brass Construction: Highest quality faucet materials for durability & long life.

Memory Position Valving: Allows user to turn valve on and off at preferred temperature setting without readjusting handle position each time.

Low Lead: Meets NSF Standard 61/Section 9 & Prop 65 lead requirements.

Choice of Finishes: Available in Polished Chrome or Stainless Steel (PVD) finishes.

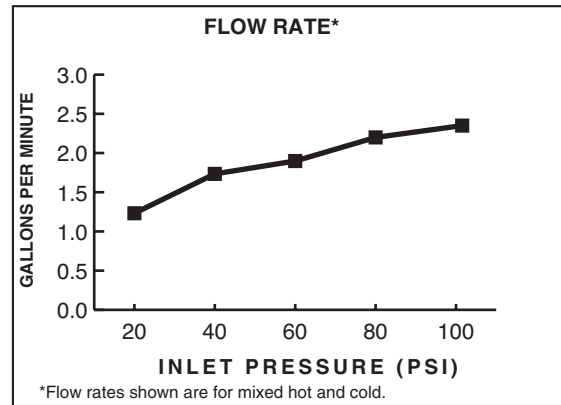
SUGGESTED SPECIFICATION:

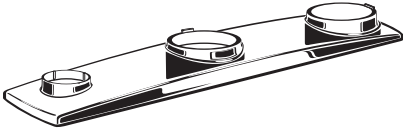

Single control kitchen fitting shall feature a brass body with metal handle and brass swivel spout. Shall also feature washerless ceramic disc valve cartridge, flexible supply hoses. Fitting shall be American Standard Model # 4101.301.____.____.


CODES AND STANDARDS

These products meet or exceed the following codes and standards:

- ANSI A117.1**
- ASME A112.18.1**
- NSF 61/Section 9**
- CSA B125**



Product Number	Description	Finish Options	
		Polished Chrome	PVD Stainless Steel
		002	075
4101.301	Hi-Flow kitchen faucet		
4101.000P	Optional Deck Plate 		
4101.115	Optional Soap Dish. Can be mounted anywhere on counter. (hardware provided) 		

 Meets the American Disabilities Act Guidelines and **ANSI A117.1** Requirements for the physically challenged.