

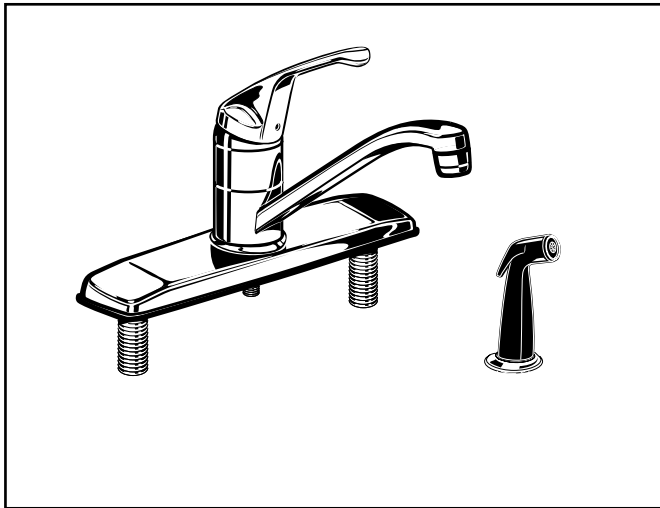
American Standard

Colony

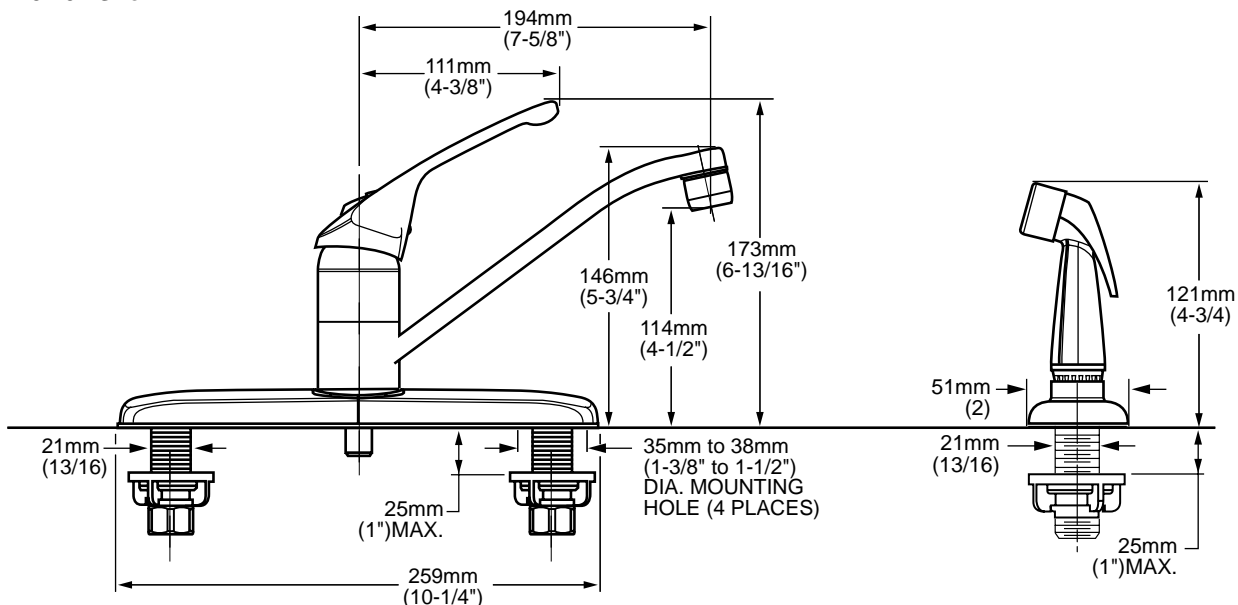
SINGLE CONTROL KITCHEN FAUCET

MODEL NUMBER:

- 4175.201 Kitchen Faucet**
Metal Lever Handle. Separate Handspray.
- 4175.203 Kitchen Faucet**
Metal Lever Handle. Handspray through escutcheon.
- 4175.200 Kitchen Faucet**
Metal Lever Handle. Less Handspray.



4175.201 Shown.



GENERAL DESCRIPTION:

Washerless 40mm ceramic disc valve cartridge. Cast brass waterway with 1/2" male inlet shanks. Brass 7-5/8" (194mm) swing spout. Metal lever handle. Metal escutcheon plate (escutcheon size 10-1/4"L x 2-3/8"W). 2.2gpm/8.3L/min. maximum flow rate.

PRODUCT FEATURES:

Cast Brass Waterways with "City Shanks": Strong and durable. Integral tabs on casting provide a wobble-free installation.

Ceramic Disc Valve Cartridge: Assures a lifetime of drip-free performance.

Low Lead: Meets NSF Standard 61/Section 9 & Prop 65 lead requirements.

Memory Position Valving: Allows user to turn valve on and off at preferred temperature setting without readjusting handle position each time.

Large "Comfort Zone": Allows easy fine tuning of temperature.

Simple Installation: Fast and easy one person installation. Faucet drops in from top. Quick spin nuts secure faucet in place.

SUGGESTED SPECIFICATION:

Single control kitchen fitting shall feature cast brass waterway. Shall also feature washerless 40mm ceramic disc valve cartridge. Fitting shall be American Standard Model # 4175.____.____.



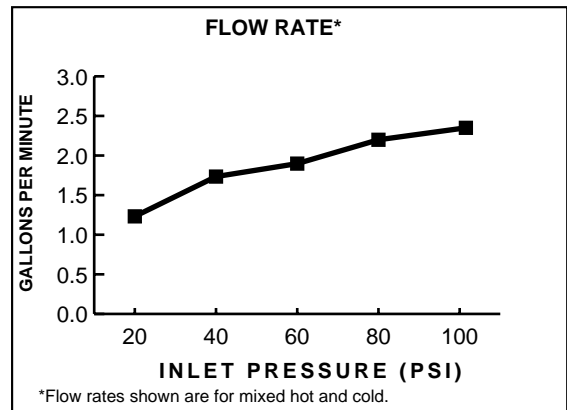
Colony

SINGLE CONTROL KITCHEN FAUCET


CODES AND STANDARDS

These products meet or exceed the following codes and standards:

- ANSI A117.1
- ASME A112.18.1M
- CSA B125
- NSF 61/Section 9



Product Number	Description	Finish
		Polished Chrome
4175.201	Kitchen Faucet. Separate Handspray.	002
4175.203	Kitchen Faucet. Handspray through escutcheon.	
4175.200	Kitchen Faucet. Less Handspray.	

 Meets the American Disabilities Act Guidelines and **ANSI A117.1** Requirements for the physically challenged.