

American Standard

Installation Instructions

4101.350
4101.351

ARCH HI-FLOW PULL-OUT KITCHEN FAUCET

Thank you for selecting American-Standard...
the benchmark of fine quality for over 100 years.

To ensure that your installation proceeds smoothly...
please read these instructions carefully before you begin.



Certified to comply with ANSI A112.18.1M
M968584

RECOMMENDED TOOLS



Adjustable Wrench



Regular Screwdriver



Phillips Screwdriver



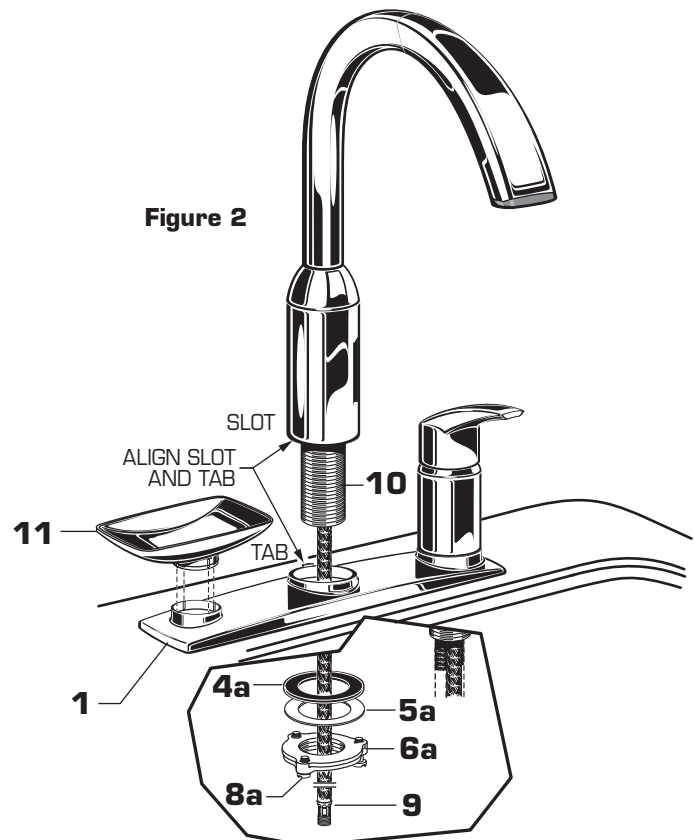
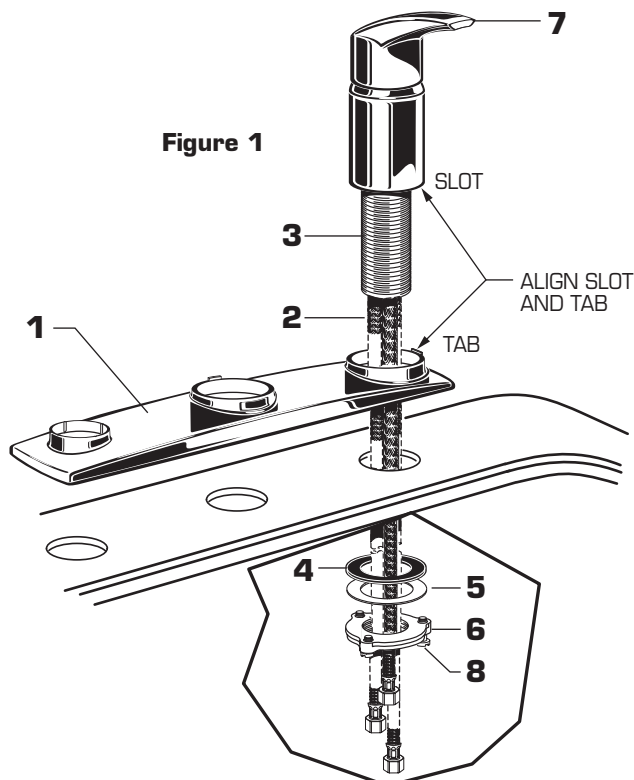
Channel Locks

1 INSTALL FAUCET WITH DECK ESCUTCHEON (4101.351)

CAUTION

Turn off water at main supply.

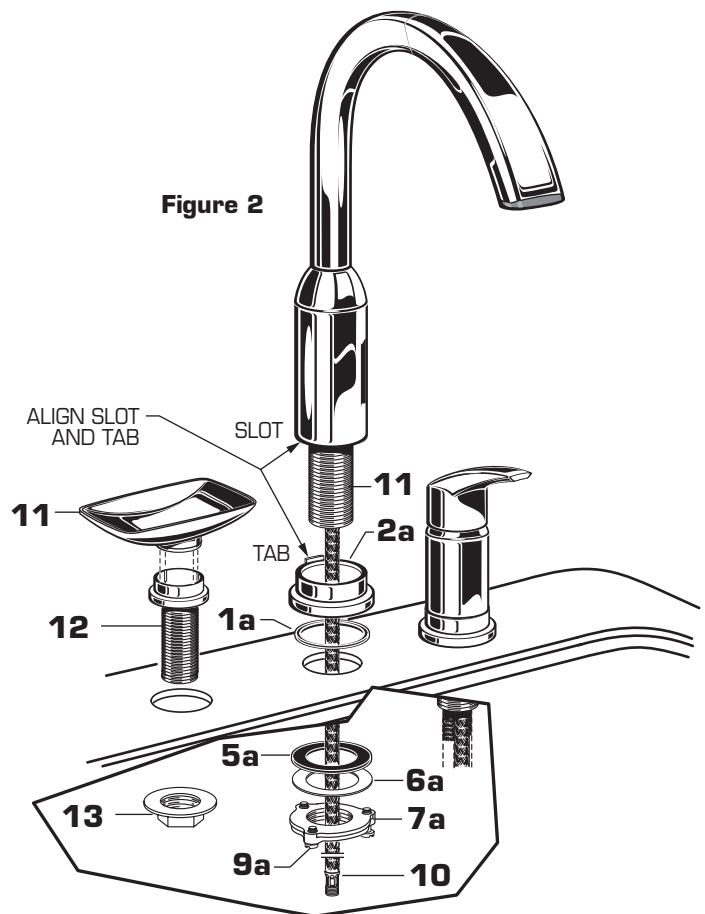
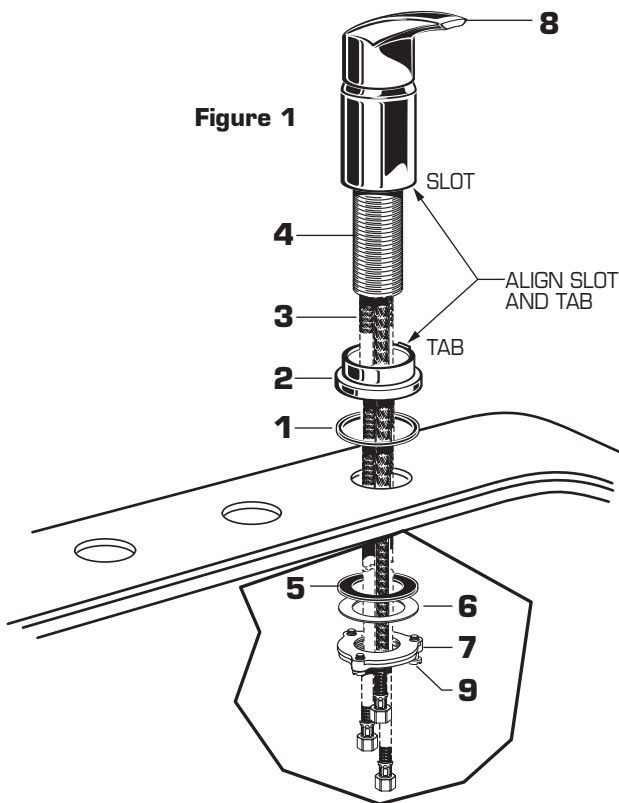
- **Installation with DECK ESCUTCHEON:** Apply a light bead of plumbers putty to underside of ESCUTCHEON (1) if mounting surface is uneven. Place ESCUTCHEON (1) onto sink or mounting surface with large opening to the right as shown. Insert supply HOSES (2) and SHANK (3) through ESCUTCHEON (1) and mounting surface. **Make sure slot in fitting base aligns with tab on ESCUTCHEON (1). Figure 1.**
- Assemble RUBBER WASHER (4), BRASS WASHER (5), and threaded LOCKNUT (6) onto SHANK (3) from underside of sink or mounting surface. Hand tighten LOCKNUT (6) and check that rotation of HANDLE (7) from HOT to COLD is centered.
- Use a screwdriver to tighten SCREWS (8) on LOCKNUT (6). Work your way around LOCKNUT (6), tightening the SCREWS (8) slightly each time until all are snug to ensure even pressure.
- **Install SPOUT ASSEMBLY:** Insert HOSE (9) and SHANK (10) through ESCUTCHEON (1) and mounting surface. Make sure slot in spout base aligns with tab on ESCUTCHEON (1). **Figure 2.**
- Assemble RUBBER WASHER (4a), BRASS WASHER (5a), and threaded LOCKNUT (6a) onto SHANK (10) from underside of sink or mounting surface. Hand tighten LOCKNUT (6a). Use a screwdriver to tighten SCREWS (8a) on LOCKNUT (6a) the same as fitting installation above.
- Align SOAP DISH (11) and push into place.



1a

INSTALL FAUCET WITHOUT ESCUTCHEON PLATE (4101.115 with soap dish) (4101.350 less soap dish)

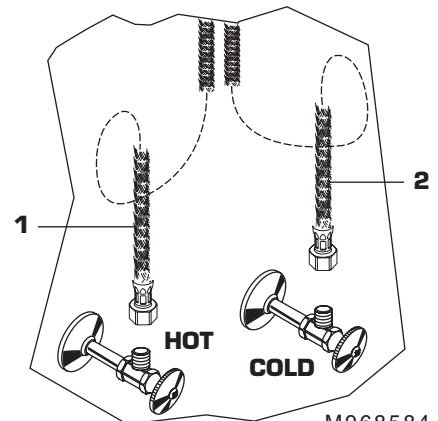
- Insert SEAL WASHER (1) into ESCUTCHEON (2). Place ESCUTCHEON (2) onto sink or mounting surface. Insert supply HOSES (3) and SHANK (4) through ESCUTCHEON (2) and mounting surface. **Make sure slot in fitting base aligns with tab on ESCUTCHEON (2).** Figure 1.
- Assemble RUBBER WASHER (5), BRASS WASHER (6) and threaded LOCKNUT (7) onto SHANK (4) from underside of sink or mounting surface. Hand tighten LOCKNUT (7) and check that rotation of HANDLE (8) from HOT to COLD is centered.
- Use a screwdriver to tighten SCREWS (9) on LOCKNUT (7). Work your way around LOCKNUT (7), tightening the SCREWS (9) slightly each time until all are snug to ensure even pressure.
- **Install SPOUT ASSEMBLY:** Insert SEAL WASHER (1a) into ESCUTCHEON (2a). Insert HOSE (10) and SHANK (11) through ESCUTCHEON (2a) and mounting surface. Make sure slot in spout base aligns with tab on ESCUTCHEON (2a). Figure 2.
- Assemble RUBBER WASHER (5a), BRASS WASHER (6a), and threaded LOCKNUT (7a) onto SHANK (11) from underside of sink or mounting surface. Hand tighten LOCKNUT (7a). Use a screwdriver to tighten SCREWS (9a) on LOCKNUT (7a) the same as fitting installation above.
- **(4101.115 with soap dish)** Push SOAP DISH (11) into SOAP DISH SHANK (12). Insert SOAP DISH ASSEMBLY into mount hole. From underside of counter assembly LOCKNUT (13) onto SOAP DISH SHANK (12).



2

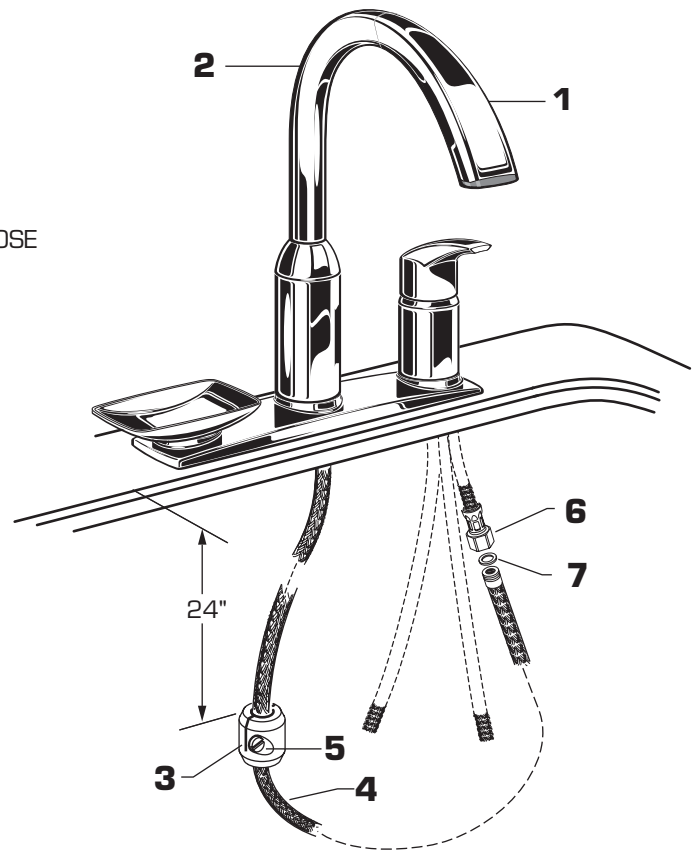
MAKE WATER SUPPLY CONNECTIONS

- Turn off hot and cold water supplies before beginning.
- Connect FLEXIBLE SUPPLIES (1, 2) directly to wall supplies. Connection on fitting supplies are 3/8" compression. Connect left supply (Marked with a Red Stripe) to Hot and right supply (Marked with Blue Stripe) to Cold wall supply. Use adjustable wrench to tighten connections. Do not over tighten.
- Faucet supplies are 21" long from faucet base.
- **Note:** If additional supply length is required, installer must purchase those parts separately.
- **Important:** If SUPPLY HOSES (1, 2) are too long, loop as illustrated to avoid kinking.



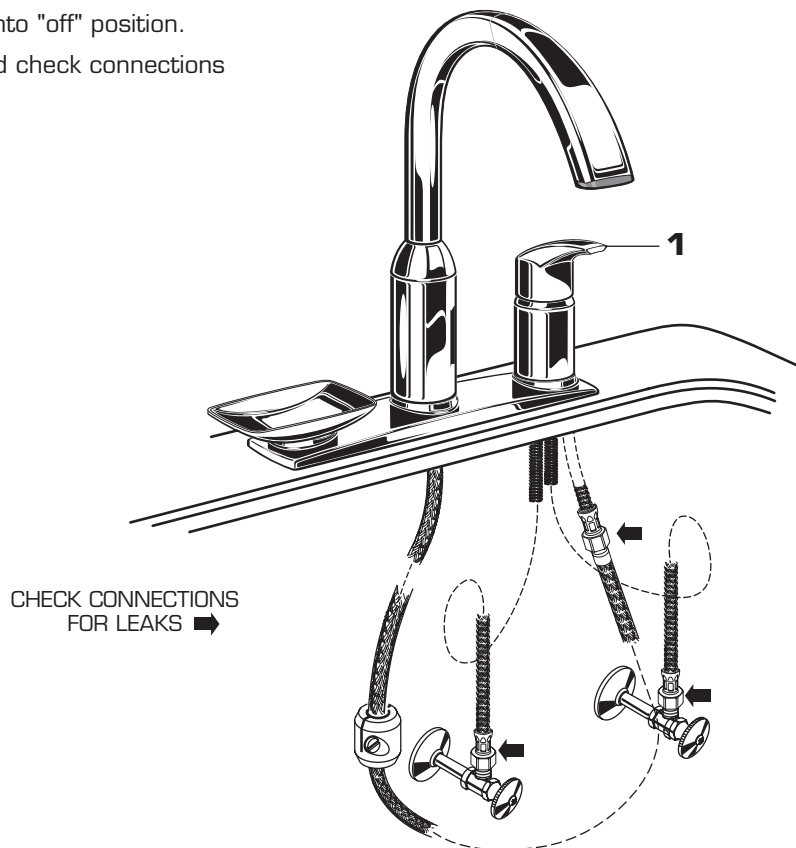
3 CONNECT SPRAY HOSE AND INSTALL WEIGHTS

- With PULL-OUT SPRAY (1) seated in SPOUT (2), install WEIGHTS (3) onto HOSE (4) using two SCREWS (5). Locate the WEIGHTS (3) two feet (2') from the underside of the sink deck. Tighten SCREWS (5) firmly.
- Make sure SEAL WASHER (7) is installed in COUPLING NUT (6). Connect threaded end of HOSE (4) to SPRAY HOSE COUPLING NUT (6) from fitting. Use wrench to tighten.



4 CHECK CONNECTIONS FOR LEAKS.

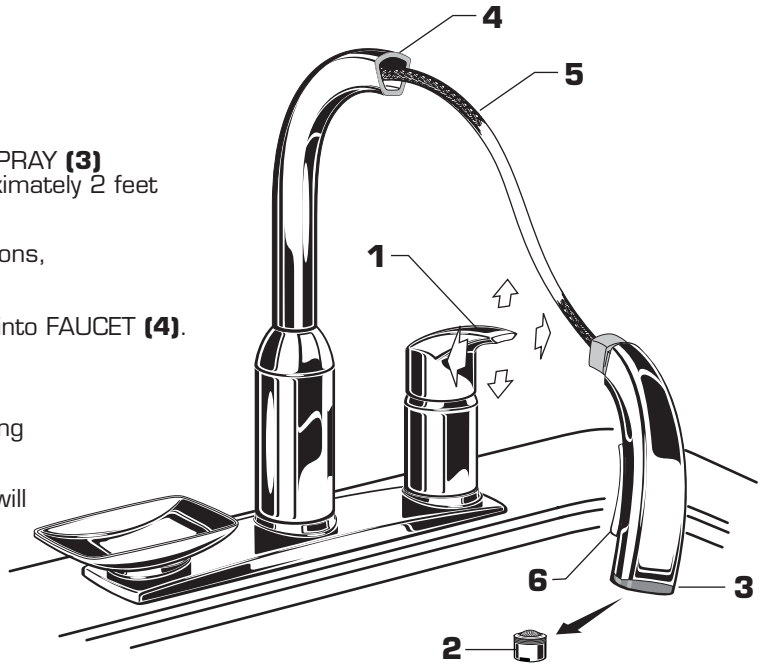
- Move HANDLE (1) down into "off" position.
- Turn on water supplies and check connections for leaks. ➡



5

TEST INSTALLED FAUCET

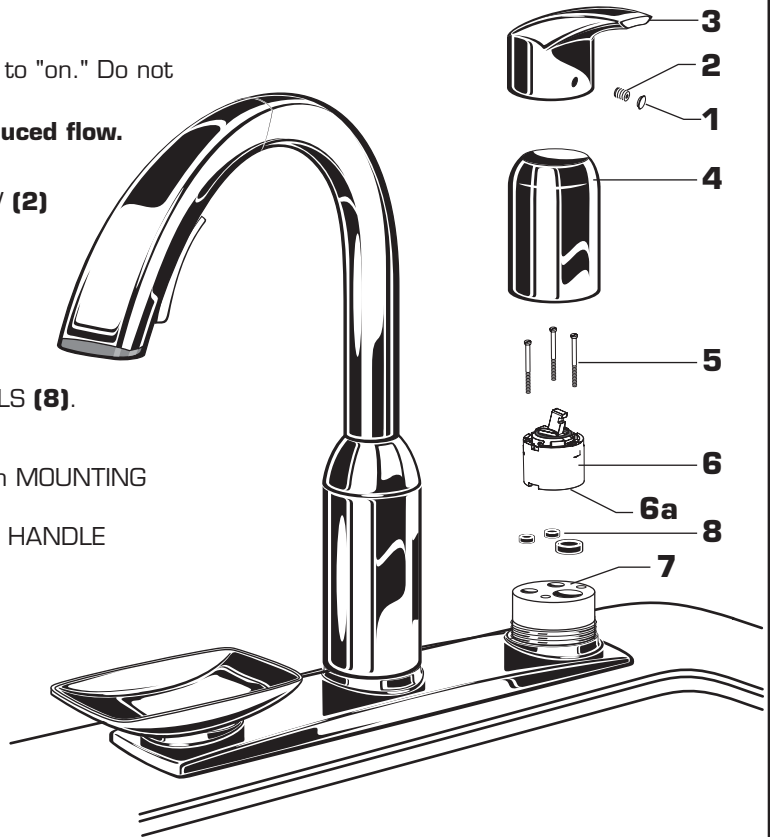
- Move HANDLE (1) down into "off" position.
- Remove AERATOR (2).
- With HANDLE (1) down in "off" position, pull HAND SPRAY (3) from SPOUT (4). SPRAY HOSE (5) should pull approximately 2 feet and direct open SPRAY END (3) into sink.
- Operate handle up and down, in COLD and HOT positions, to flush water lines thoroughly.
- Replace AERATOR (2). Place HAND SPRAY (3) back into FAUCET (4).
- Check HAND SPRAY (3) operation:
- With faucet on push BUTTON (6) for a broad cleansing spray. BUTTON (6) will lock into this position.
- To unlock push opposite end of BUTTON (6). Faucet will return to standard spray.



6

SERVICE

- If faucet drips, operate HANDLE several times from "off" to "on." Do not apply excessive force.
- **Clogged CARTRIDGE outlets or inlets may cause reduced flow.** To clean, first turn off water supply then:
 - Remove INDEX BUTTON (1), loosen HANDLE SCREW (2) and remove HANDLE (3).
 - Unthread ESCUTCHEON CAP (4). Unthread three MOUNTING SCREWS (5).
 - Lift CARTRIDGE (6) off MANIFOLD (7) and remove CARTRIDGE SEALS (8).
 - Clean MANIFOLD (7), CARTRIDGE (6) ports and SEALS (8).
 - Place SEALS (8) into CARTRIDGE PORTS (6a).
 - Place CARTRIDGE (6) onto MANIFOLD (7) and tighten MOUNTING SCREWS (5) alternately.
 - Replace ESCUTCHEON CAP (4), HANDLE (3), tighten HANDLE SCREW (1) and install INDEX BUTTON (2).
- Test fitting.



7

CARE INSTRUCTIONS:

DO: SIMPLY RINSE THE PRODUCT CLEAN WITH CLEAR WATER. DRY WITH A SOFT COTTON FLANNEL CLOTH.

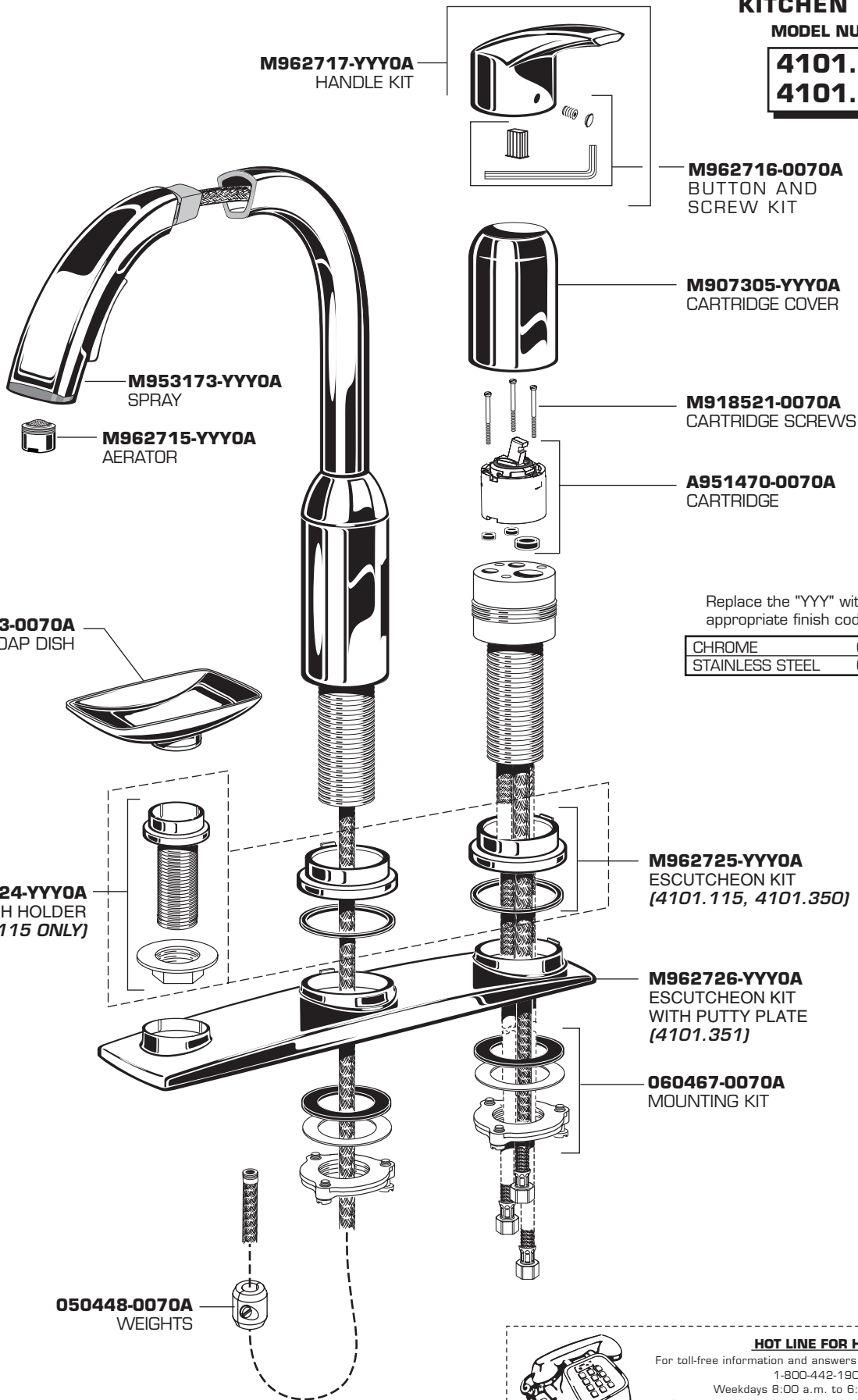
DO NOT: DO NOT CLEAN THE PRODUCT WITH SOAPS, ACID, POLISH, ABRASIVES, HARSH CLEANERS, OR A CLOTH WITH A COARSE SURFACE.

American Standard

ARCH
HI-FLOW PULL-OUT
KITCHEN FAUCET

MODEL NUMBERS

4101.350
4101.351



Replace the "YYY" with
 appropriate finish code

CHROME	002
STAINLESS STEEL	075



HOT LINE FOR HELP

For toll-free information and answers to your questions, call:
 1-800-442-1902
 Weekdays 8:00 a.m. to 6:00 p.m. EST
 IN CANADA 1-800-387-0369 (TORONTO 1-905-306-1093)
 Weekdays 8:00 a.m. to 7:00 p.m. EST
 IN MEXICO 01-800-839-12-00