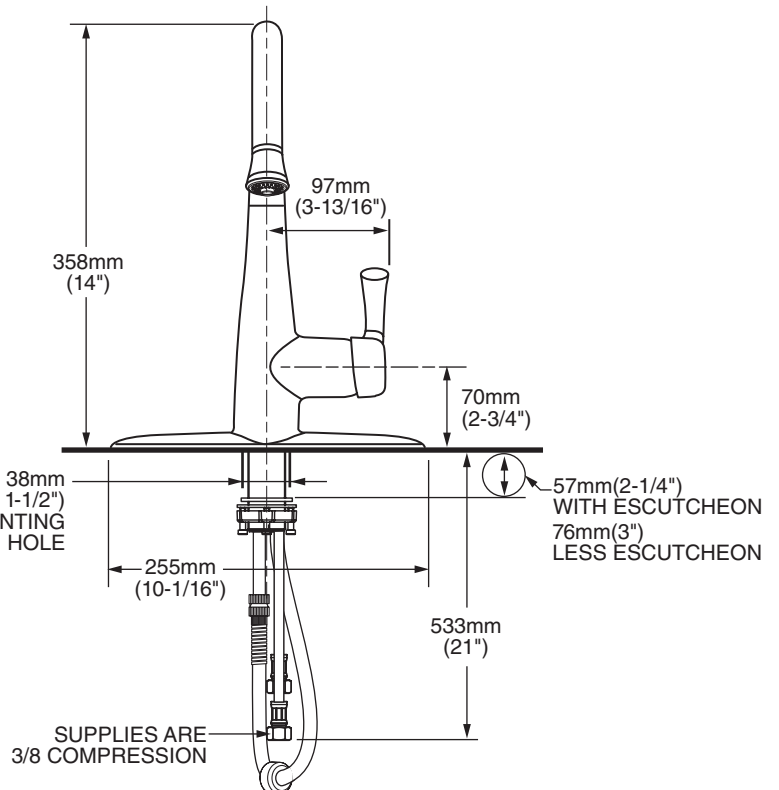


GENERAL DESCRIPTION:

Metal handle and escutcheon plate. Swivel spout (150° rotation) with pull-down spray. Washerless 40mm ceramic disc valve cartridge. Braided flexible Stainless Steel supply hoses with 3/8" compression connections. Metal mounting shank with brass fixation ring. Complete with two integral check valves. 2.2gpm/8.3L/min. maximum flow rate. Fitting can be mounted with or without escutcheon plate (escutcheon size 10-1/16"L x 2-1/2"W).

MODEL NUMBER:

- ☐ 4433.410 Bar Faucet with Pull-Down Spray
 Escutcheon plate, (use is optional).



PRODUCT FEATURES:

Ceramic Disc Valve Cartridge: Assures smooth, precise valve control and a lifetime of drip-free, maintenance-free performance.

Memory Position Valving: Allows user to turn valve on and off at preferred temperature setting without readjusting handle position each time.

Lead Free: Faucet contains ≤ 0.25% total lead content by weighted average.

Integral Check Valves: Prevents back flow.

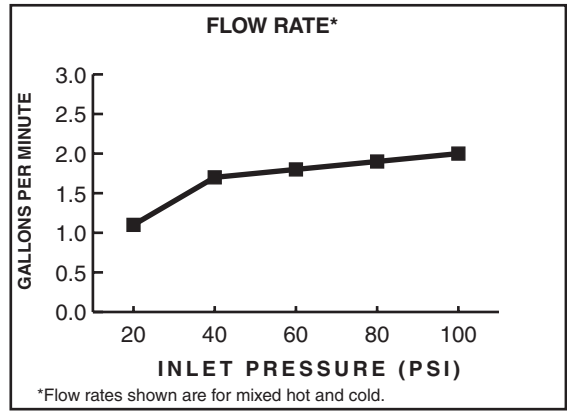
SUGGESTED SPECIFICATION:

Single control kitchen pull-down faucet shall feature a metal swivel spout with pull-down spray with two check valves, metal escutcheon plate and handle. Shall also feature washerless ceramic disc valve cartridge and flexible Stainless Steel supply hoses. Faucet shall be American Standard Model # 4433.410._____

CODES AND STANDARDS


These products meet or exceed the following codes and standards:

- ANSI A117.1**
- ASME A112.18.1**
- NSF 61/Section 9 & Annex G**
- CSA B125**



2.2gpm/8.3L/min. FLOW RATE

Product Number	Description	Finish Options		
		Polished Chrome	Stainless Steel (PVD)	Oil Rubbed Bronze
4433.410	Pull-Down bar faucet.	002	075	224

 Meets the American Disabilities Act Guidelines and **ANSI A117.1** Requirements for the physically challenged.