

INSTALLATION INSTRUCTIONS

American Standard

Style That Works Better

Acrylux Builder Series Bathtubs

Model 6030Y1.102.XXX

Model 6032Y1.102.XXX

Model 6030Y1.202.XXX

Model 6032Y1.202.XXX

Thank you for selecting American Standard – the benchmark of fine quality for over 100 years. To ensure this product is installed properly, please read these instructions carefully before you begin. Local building codes vary by location. Observe all local plumbing and building codes.

RECOMMENDED TOOLS AND MATERIALS

Tape Measure

Saber Saw

Pencil

Mortar Compound (optional)

Level

Safety Glasses

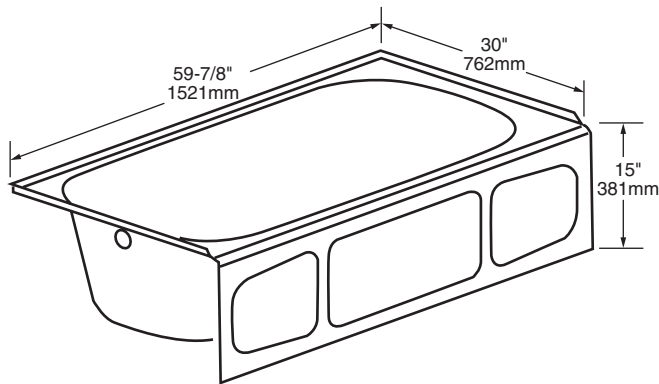
Drill

Screws, 1" Flathead, Stainless

IMPORTANT:

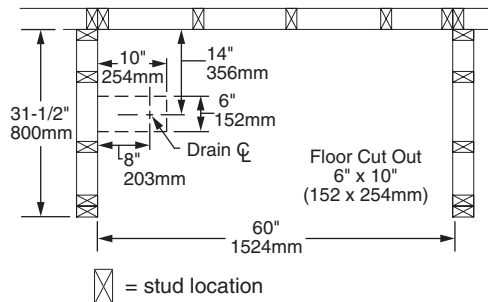
- Allow tub to reach room temperature before installation.
- Before you begin, locate appropriate product reference (below).
- Read installation instructions carefully before starting project.
- Keep instructions for warranty information.

6030Y1.102.XXX
6030Y1.202.XXX



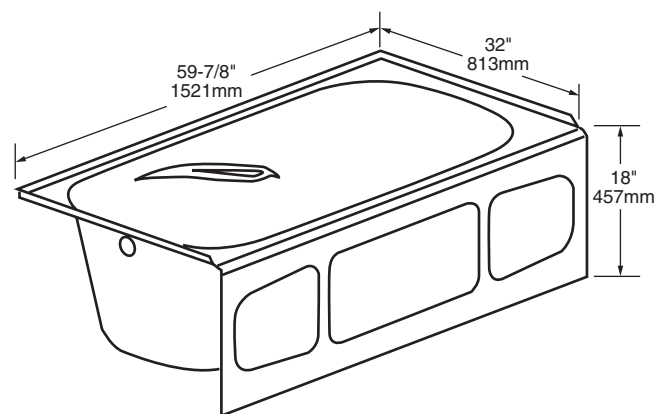
STUD LAYOUT:

The American Standard Acrylux Bathtub will fit all standard 30" x 60" tub walls.



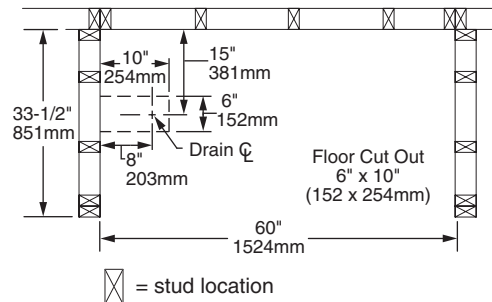
LHO shown - reverse for RHO

6032Y1.102.XXX
6032Y1.202.XXX



STUD LAYOUT:

The American Standard Acrylux Bathtub will fit all standard 32" x 60" tub walls.



LHO shown - reverse for RHO

INSTALLATION INSTRUCTIONS

STEP 1. PREPARING ALCOVE

- Strip to bare studs.
- Alcove studs should be constructed as shown above.
- Floor must be clean, smooth, and level (check with level). Sub floor must be installed. Do not install tub on open floor joists.
- Cut hole in sub floor as shown on page 1 to accommodate drain.

STEP 2. INSTALLING TUB

- Trial fit tub in prepared alcove. With tub sitting flat on floor, check with level on top of tub. Tub should be level from front-to-back and side-to-side (**Fig 1**).
- A floor leveling compound (smooth mortar) or a similar quick-setting compound specifically made for leveling floors may be used to fully support and level base.
- After tub is leveled, if alcove is larger than tub, shim between tub and studs to create a tight fit. Screw tub flange to studs (**Fig. 2**).

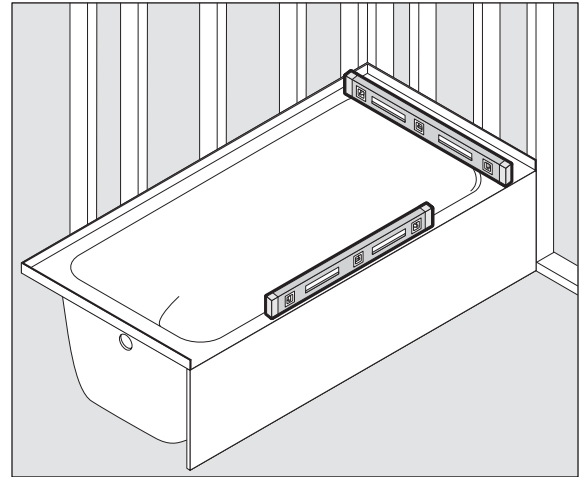


FIGURE 1. Check to assure tub is level.

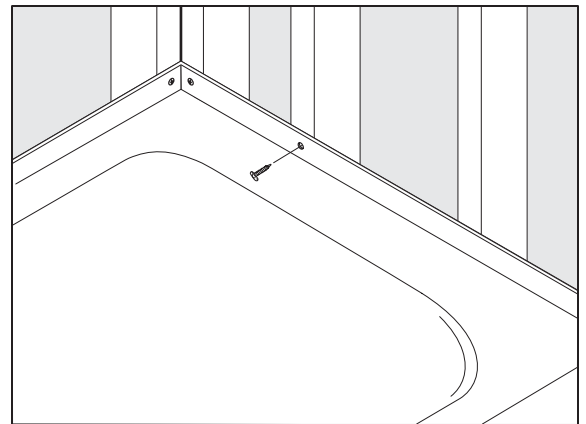


FIGURE 2. If necessary, shim between tub and studs for tight fit and screw to each stud.

CLEANING

- Do not use any abrasive cleaners or metal scrapers.
- If drywall mud or plaster gets on your shower, it may be carefully removed with a wooden scraper made from a piece of scrap wood.
- Adhesive may be removed with mineral spirits.
- Ideal cleaners are Soft Scrub Gel® or Comet Gel®.

WARNING:

**Some cleaning products are not suitable for use. Read all labels carefully.
DO NOT USE if they say “not suitable for use with ABS, acrylic, or polystyrene.**

SCRATCH REMOVAL INSTRUCTIONS

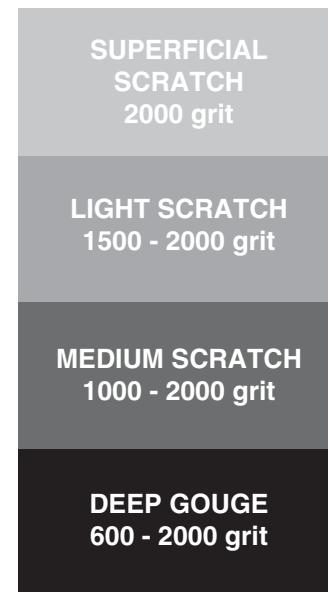
1. For effective scratch removal and polishing, you will need to purchase these items:

- 1 sheet 1000 grit 3M® wet-dry sandpaper
- 1 sheet 1500 grit 3M® wet-dry sandpaper
- 1 sheet 2000 grit 3M® wet-dry sandpaper
- 1 small container of 3M® rubbing compound #05933

These items can be purchased at most auto supply stores that provide supplies to professional paint and body shops. Call before you go.

Not all auto supply stores will have these items.

2. Start sanding with 2000 grit paper. Use small squares of paper about 2" x 2" for all sanding and use lots of water. The water serves as both a lubricant and to prevent residue buildup on the paper. Residue buildup shortens the effective life of the paper and may scratch the surface you are trying to polish.
3. 2000 grit paper is the finest grit available (the higher the number, the finer the grit). If you can't remove all of the scratches with 2000 grit, switch to 1500 grit. Remember to wash the paper frequently with water as you sand.
4. If all of the scratches cannot be removed with 1500 grit, switch to 1000 grit. This should remove most fine scratches. If you have deep scratches or a gouge, coarser paper may have to be used (see chart to right). Be careful! Using grit that is too coarse may actually put in more scratches than it removes.
5. Once you have removed all of the scratches by sanding the finest paper possible, repeat the sanding process using successively finer grits of paper until you have once again sanded with 2000 grit.
6. Now use 3M® rubbing compound #05933 on a soft, damp cloth. Polish using considerable pressure to produce a smooth, shiny finish.



SCRATCH / SANDPAPER GUIDE

AS AMERICA, INC. ("AMERICAN STANDARD") LIMITED WARRANTY FOR ACRYLUX PRODUCTS

AS America, Inc. ("American Standard") warrants to the original consumer purchaser that it will, at its option, repair or replace any of its plumbing products found by it to be defective under normal use and maintenance within the following periods from date of purchase: Electronic Components - two (2) years; Pump Motors - three (3) years; Fittings and Plumbing - two (2) years; Shell - ten (10) years residential; three (3) years commercial. In the event of a limited warranty claim proof of purchase will be required—save sales receipt.

This limited warranty DOES NOT COVER the following:

1. Defects or damage arising from shipping, installation, alterations, accidents, abuse, misuse, lack of proper maintenance and use of other than genuine American Standard replacement parts, in all cases whether caused by a plumbing contractor, service company, the owner or any other person.
2. Deterioration through normal wear and tear.
3. Expense of normal maintenance - periodic replacement of washers, seals, etc. is a normal maintenance requirement.
4. IN NO EVENT WILL AMERICAN STANDARD BE LIABLE FOR THE COST OF REPAIR OR REPLACEMENT OF ANY INSTALLATION MATERIALS, INCLUDING BUT NOT LIMITED TO, TILES, MARBLE ETC.
5. Postage or shipping costs for returning products for repairs or replacement under this limited warranty and labor or other costs incurred in connection with product removal or installation under this limited warranty.
6. ANY LIABILITY FOR CONSEQUENTIAL OR INCIDENTAL DAMAGES, ALL OF WHICH ARE HEREBY EXPRESSLY DISCLAIMED, OR THE EXTENSION BEYOND THE DURATION OF THIS LIMITED WARRANTY OF ANY IMPLIED LIMITED WARRANTIES, INCLUDING THOSE OF MERCHANTABILITY OR FITNESS FOR AN INTENDED PURPOSE. (Some jurisdictions do not allow limitations on how long an implied limited warranty lasts, or the exclusion or limitation of incidental or consequential damages, so these limitations and exclusions may not apply to you.)
7. Responsibility for compliance with local code requirement. (Since code requirements vary greatly, distributors, dealers, installation contractor and users of plumbing products should determine whether there are any code restrictions on the installation or use of a specific product.)
8. If a whirlpool unit is purchased by a dealer and used as a demonstration unit the limited warranty takes effect as soon as the dealer uses the product as a demo. If this demonstration unit is subsequently sold to a customer, the dealer may transfer the remaining period of the limited warranty to the buyer only with American Standard written approval.

This limited warranty gives you specific legal rights. You may have other statutory rights that vary from state to state or from province to province, in which case this limited warranty does not affect such statutory rights.

By Mail: American Standard Inc.
P.O. Box 659
West Caldwell, N.J. 07007
Attention: Customer Care Center

By Telephone:
1-800-442-1902

