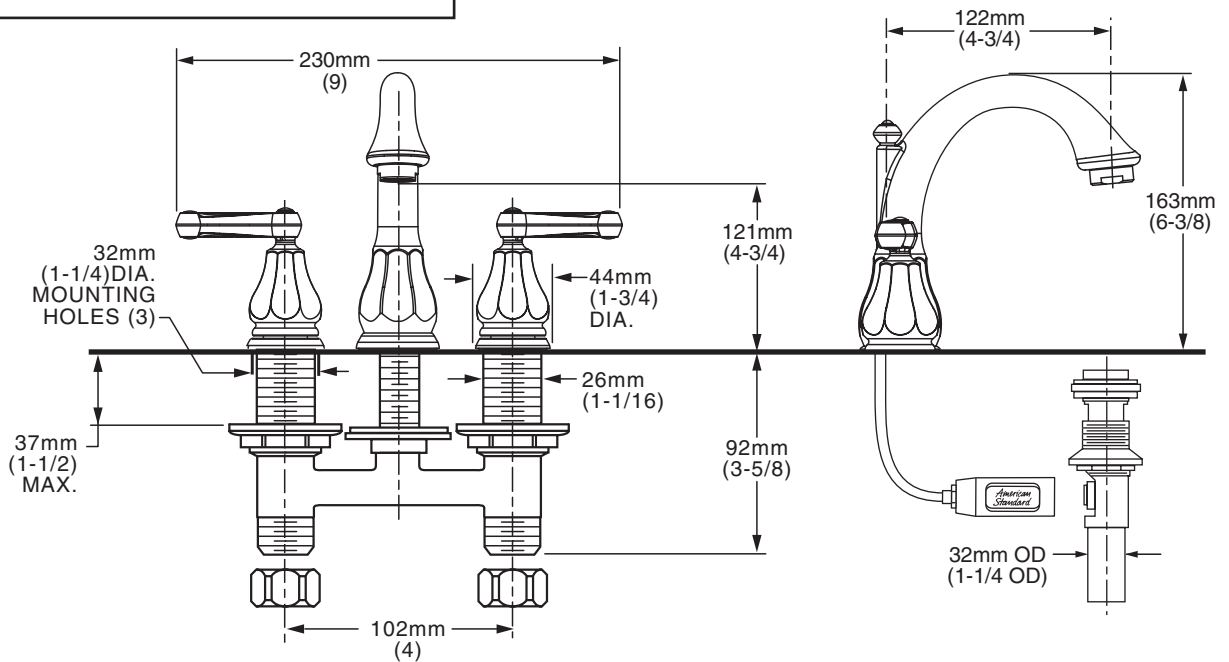




MODEL NUMBER:

- **6028.240 Minispread Lavatory**
 Metal Speed Connect™ Pop-up drain.
 Metal Lever handles.



GENERAL DESCRIPTION:

One-piece cast brass valve body on 4" centers. 1/4 turn washerless ceramic disc valve cartridges. One-half inch brass male inlet shanks. Cast brass spout. 20 inch (500mm) long flexible stainless steel drain cable is pre-assembled to spout. Metal Speed Connect™ drain body with 1-1/4 inch (32mm) tail piece. 2.2 gpm/8.3L/min. maximum flow rate.

PRODUCT FEATURES:

Ceramic Disc Valve Cartridges: Assures a lifetime of drip-free performance.

Brass Construction: Durable. Ideal for prolonged contact with water.

Low Lead: Meets NSF Standard 61/Section 9 & Prop 65 lead requirements.

Exclusive Speed Connect Metal Drain:

- Fewer Parts - installs in less time.
- No adjustments required - seals the first time, every time.
- Flexible stainless steel cable - installs effortlessly in tight spaces.

Choice of Finishes: Available in choice of Polished Chrome or Satin Nickel (PVD).

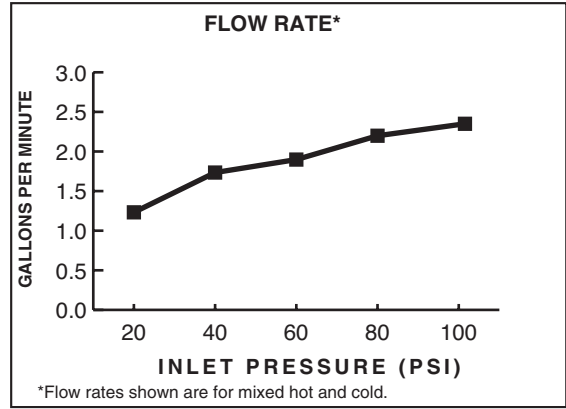
SUGGESTED SPECIFICATION:

Two handle minispread lavatory faucet shall feature a one-piece cast brass valve body. Shall also feature 1/4 turn washerless ceramic disc valve cartridges. Shall also feature a metal drain body with stainless steel cable actuation. Fitting shall be American Standard Model # 6028.240.____.


CODES AND STANDARDS

These products meet or exceed the following codes and standards:

- ANSI A117.1**
- ASME A112.18.1**
- CSA B 125**
- NSF 61/Section 9**



Product Number	Description	Finish Options*	
		Polished Chrome	PVD Satin Nickel
6028.240	Minispread Lavatory faucet with Metal Speed Connect™ Pop-up drain. Metal lever handles.	002	295

 Meets the American Disabilities Act Guidelines and **ANSI A117.1** Requirements for the physically challenged.

***EverClean™ Finish:**

- Offered on Polished Chrome (002) and Satin Nickel (295) finish.
- One wipe effortlessly removes spots.
- Eliminates the need for cleaners and scrubbing.