

CIENCIA™ 60" x 30" SHOWER BASE

- 6030S1.STR.020 Right Hand Drain
- 6030S1.STL.020 Left Hand Drain
- 6030S1.STC.020 Center Drain

Product Features:

- High gloss acrylic backed with solid surface and high density urethane foam reinforcement
- Low 2-3/4" threshold
- Single threshold
- Integral three sided, tiling/water retention flange
- Slip resistant design
- White

Nominal Dimensions:

60" x 30" x 2-3/4"
(1524 x 762 x 70mm)

For Use With:

- Ciencia 60" x 30" wall sets
- Base can also be installed without Ciencia wall set

Compliance Certifications -

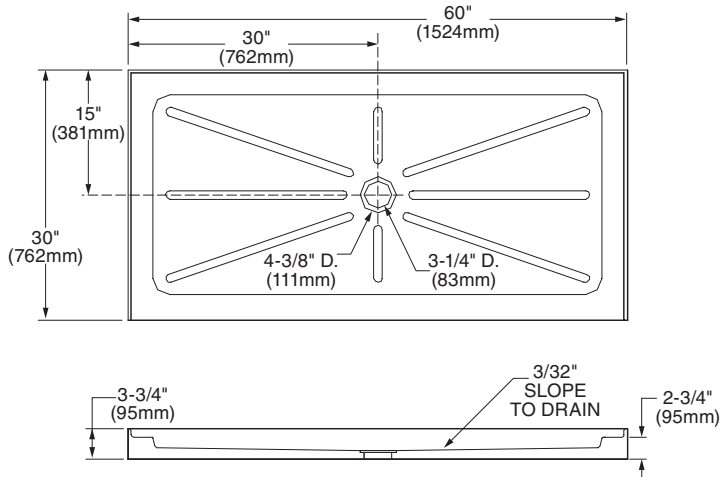
Meets or Exceeds the Following Specifications:

- ANSI Z124.1.2
- ASTM E-84 for Flammability and Smoke Density
- IAPMO UPC

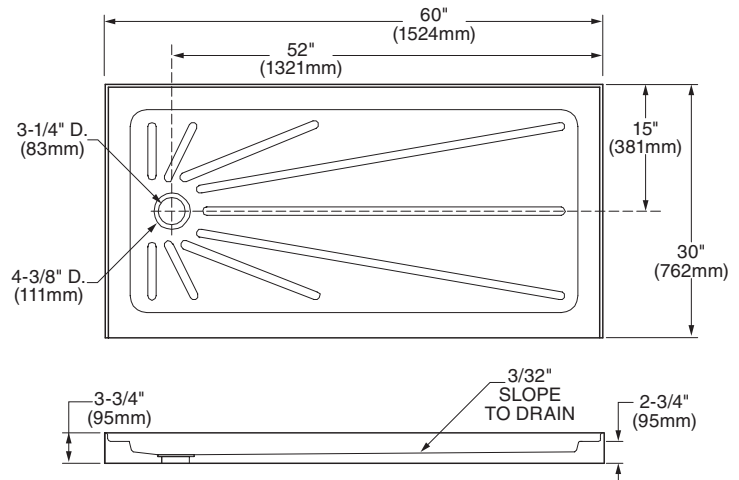


SEE REVERSE SIDE FOR ROUGHING-IN DIMENSIONS

6030S1.STC.020 Center Drain



6030S1.STL.020 Left Hand Drain



6030S1.STR.020 Right Hand Drain

