


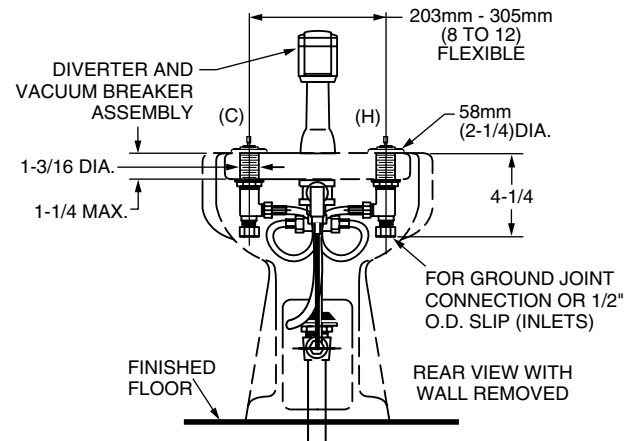
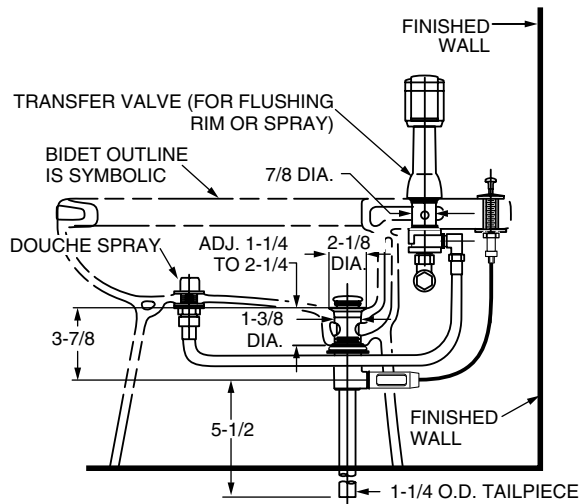


7391.723 Shown

MODEL NUMBER:

- 7391.713 Fixture-Mounted Bidet Fitting**
Vacuum breaker. Metal Speed Connect™ Pop-up drain. Porcelain lever handles. 
- 7390.713 Fixture-Mounted Bidet Fitting**
Less vacuum breaker. Metal Speed Connect™ Pop-up drain. Porcelain lever handles.
- 7391.723 Fixture-Mounted Bidet Fitting**
Vacuum breaker. Metal Speed Connect™ Pop-up drain. Metal cross handles. 
- 7390.723 Fixture-Mounted Bidet Fitting**
Less vacuum breaker. Metal Speed Connect™ Pop-up drain. Metal cross handles.
- 7391.733 Fixture-Mounted Bidet Fitting**
Vacuum breaker. Metal Speed Connect™ Pop-up drain. Metal lever handles. 
- 7390.733 Fixture-Mounted Bidet Fitting**
Less vacuum breaker. Metal Speed Connect™ Pop-up drain. Metal lever handles.



GENERAL DESCRIPTION:

Cast brass valve bodies. 1/4 turn washerless ceramic disc valve cartridges - reversible for use with either lever or cross handles. Diverter controls water flow between douche spray and flushing rim. Douche spray has built-in spray height adjustment. 20" long (500mm) flexible stainless steel cable is pre-assembled to lift rod assembly. Metal Speed Connect™ drain body with 1-1/4" (32mm) tail piece.

PRODUCT FEATURES:

- Brass Construction:** Durable - Excellent in high use applications. Ideal for prolonged contact with water.
- Ceramic Disc Valve Cartridges:** Assures a lifetime of smooth handle operation and drip-free performance.
- Exclusive Speed Connect Metal Drain:**
 - Fewer Parts - installs in less time.
 - No adjustments required - seals the first time, every time.
 - Flexible stainless steel cable - installs effortlessly in tight spaces.





SUGGESTED SPECIFICATION:

Two handle deck-mount bidet fitting with matching pop-up drain shall feature solid brass construction. Shall also feature 1/4 turn washerless ceramic disc valve cartridges that are reversible for use with cross or lever handles. Shall also feature a metal drain body with stainless steel cable actuation. Fitting shall be American Standard Model #739X.____.____.


CODES AND STANDARDS

These products meet or exceed the following codes and standards:

- ASME A112.18.1
- CSA B 125
- ASSE 1001 - 7391 only

Product Number	Description	Finish Options						
		Polished Chrome	PVD Blackened Bronze	PVD Polished Brass	Satin PVD/Chrome Mix	PVD Satin Nickel	PVD Satin/Brass Mix	Chrome/PVD Brass Mix
		002	068	099	221	295	297	299
 7391.713	Fixture-mounted bidet fitting. Vacuum breaker. Metal Spped Connect™ pop-up drain. Porcelain lever handles.		N/A		N/A		N/A	N/A
 7390.713	Fixture-mounted bidet fitting. Vacuum breaker. Metal Spped Connect™ pop-up drain. Porcelain lever handles.		N/A		N/A		N/A	N/A
7391.723	Fixture-mounted bidet fitting. Less vacuum breaker. Metal Spped Connect™ pop-up drain. Porcelain lever handles.		N/A		N/A		N/A	N/A
7390.723	Fixture-mounted bidet fitting. Less vacuum breaker. Metal Spped Connect™ pop-up drain. Porcelain lever handles.		N/A		N/A		N/A	N/A
 7391.733	Fixture-mounted bidet fitting. Vacuum breaker. Metal Spped Connect™ pop-up drain. Porcelain lever handles.		N/A		N/A		N/A	N/A
 7390.733	Fixture-mounted bidet fitting. Less vacuum breaker. Metal Spped Connect™ pop-up drain. Porcelain lever handles.		N/A		N/A		N/A	N/A

N/A = NOT AVAILABLE

 Meets the American Disabilities Act Guidelines and **ANSI A117.1** Requirements for the physically challenged.