

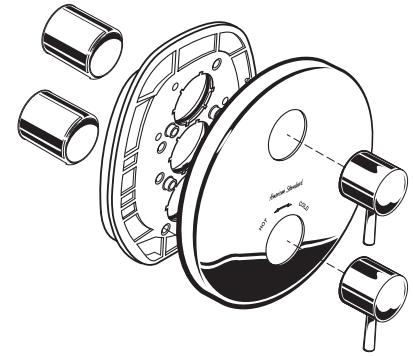
American Standard

Installation Instructions T064.740

SERIN™ 2-HANDLE THERMOSTAT WITH VOLUME CONTROL TRIM KIT

Thank you for selecting American-Standard...the benchmark of fine quality for over 100 years.

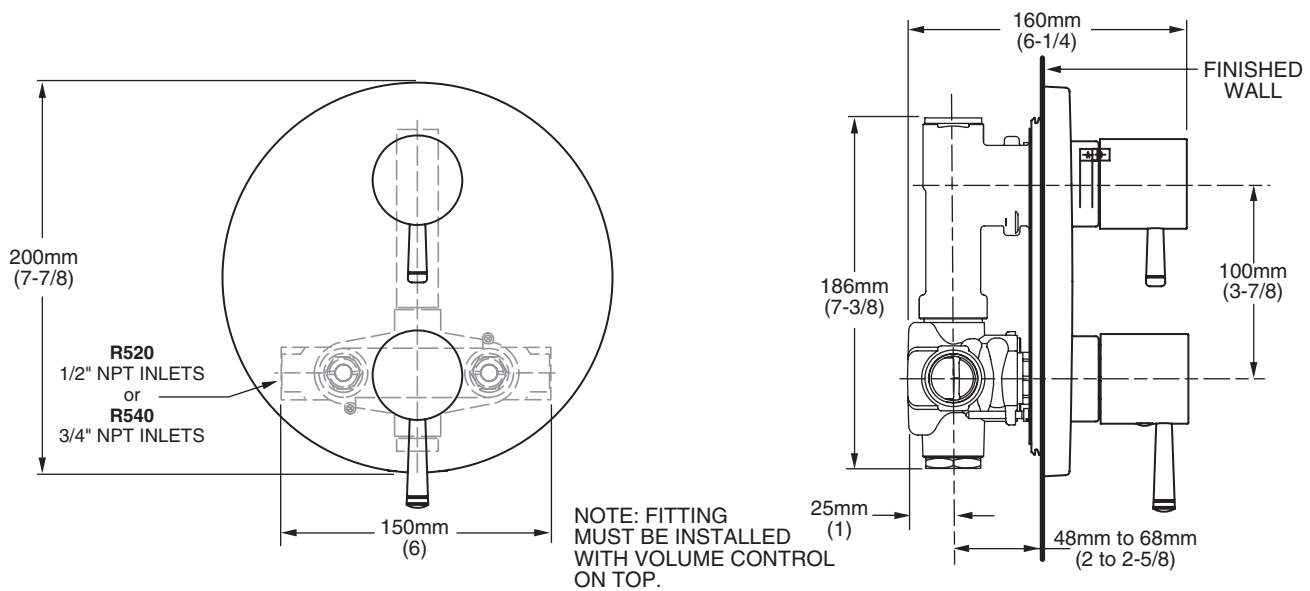
To ensure that your installation proceeds smoothly—please read these instructions carefully before you begin.



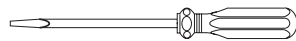
Certified to comply with ANSI A112.18.1M
ASSE 1016

M968984 REV.1.2

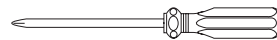
ROUGHING-IN DIMENSIONS



Recommended Tools



Flat Blade Screwdriver



Phillips Screwdriver

CARE INSTRUCTIONS:

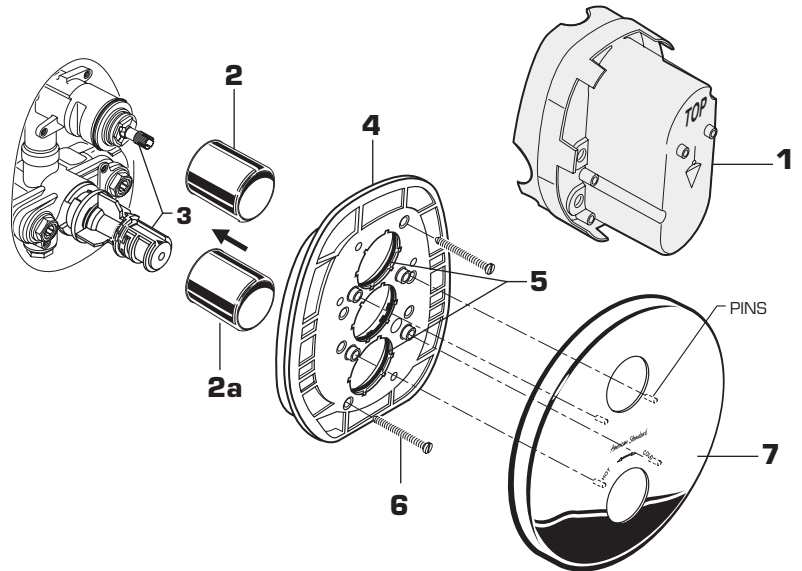
- To keep your new faucet looking new, please follow these simple care instructions:
 - DO:** ■ Simply rinse the faucet clean with clear water.
 - Dry the faucet with a soft cotton cloth.
 - DO NOT:**
 - Do not use any abrasive cleaners, cloths, or paper towels.
 - Do not use any cleaning agents containing acids, polish abrasives, or harsh cleaners or soaps.
- Regular and routine cleaning will reduce the need for heavy cleaning and polishing. If heavy cleaning is required, the following procedures are recommended:

- Remove as much surface dirt and film using clear water and soft cotton cloth **(as described above)**.
 - Use any of the following to remove tough surface film and build-up:
 - Mild liquid detergents
 - Clear ammonia free liquid glass cleaners
 - Non-acidic, non-abrasive gentle liquid or fully dissolved powder cleansers mixed according to manufacturers directions.
 - Non-abrasive liquid polishes
- Once clean, rinse faucet again with clear water to thoroughly remove cleaner or polish and blot dry with a soft cotton cloth.

Failure to follow these care instructions may damage the Faucet's finish.

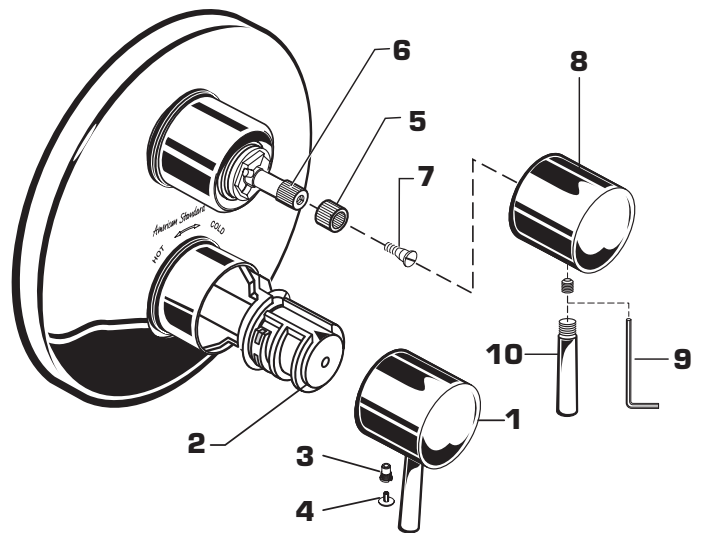
1 TRIM INSTALLATION

- Remove PLASTER GUARD **(1)** if attached.
- Push CAPS **(2 & 2a)** as shown onto CONTROL VALVES **(3)**.
- Push ESCUTCHEON HOLDER **(4)** with lightly greased O-RING SEALS **(5)** over CAPS **(2, 2a)**. Attach with the two SCREWS **(6)** provided.
- Align pins in back of ESCUTCHEON **(7)** with holes in ESCUTCHEON HOLDER **(4)** and push ESCUTCHEON **(7)** into place.



2 INSTALL HANDLES

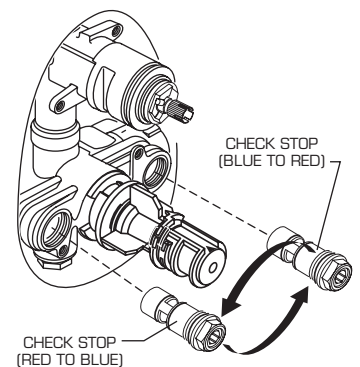
- Align HANDLE **(1)** as shown and push onto KNOB MOUNT **(2)**.
- Tighten SET SCREW **(3)** with flat blade screwdriver.
- Push COVER CAP **(4)** into SET SCREW **(3)**.
- Install HANDLE ADAPTER **(5)** onto VALVE STEM **(6)**.
- Install HANDLE SCREW **(7)** and tighten.
- Push VOLUME CONTROL KNOB **(8)** onto HANDLE ADAPTER **(5)**. Use HEX WRENCH **(9)** supplied and tighten set screw to secure VOLUME CONTROL KNOB **(8)**.
- Thread LEVER HANDLE **(10)** into VOLUME CONTROL KNOB **(8)**.



3 TRANSPOSED SUPPLY PIPING OR BACK TO BACK INSTALLATION

Should the hot and cold water supply pipes have been transposed making adjustment impossible, proceed as follows:

- Shut off water supply.
- Remove handle and rim. **(Reverse steps 1 and 2).**
- Remove check stops and re-install them transposed.
- Important note: RED CHECK STOP is now on the right of the mixer body and the BLUE CHECK STOP is now on the left.
- Turn the water supply back on and perform the temperature adjustment in step 4.
- Assemble HANDLES and TRIM.



4 TEMPERATURE ADJUSTMENT

- Pull out COVER CAP (1) and loosen SET SCREW (2). Pull off HANDLE ASSEMBLY (3).
- Check that arrow marking B points to the 3 o'clock position. If not, push the BLACK CLAMP on the SECURING RING to the right, pull off KNOB MOUNT (4) and reinstall KNOB MOUNT (4) with arrow "B" 3 o'clock position. **See Figure 1.**

SET HOT LIMIT STOP

- The maximum mixed water temperature is set at 109°F at the factory. This setting can be changed if desired.
- Remove the TEMPERATURE LIMIT STOP (H shaped Black Plastic part). Reinstall it at the desired notch as indicated in the diagram to limit the maximum mixed water temperature to 104°F or 112°F.
- For 100 F adjustment, turn the water supply on. Turn KNOB MOUNT (4) until the spout temperature is 100°F. Check that arrow "A" on the KNOB MOUNT (4) still points 3 o'clock position after adjusting the thermostat to 100°F. If not, pull out the RED LOCKING DEVICE. Remove KNOB MOUNT (4) by pulling it towards you while standing directly in front of the valve.
- Reinstall the KNOB MOUNT (4) with arrow "A" 3 o'clock position.
- Reinstall RED LOCKING DEVICE.
- See **Step 2** for HANDLE (3) installation.

