

American Standard

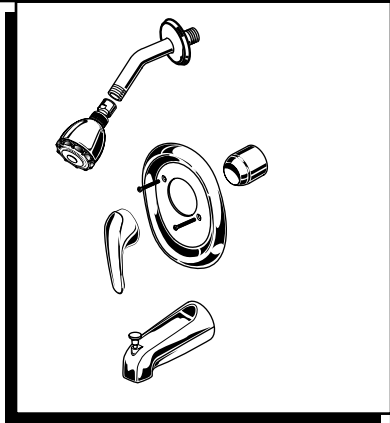
Seva™

BATH/SHOWER TRIM KIT

Thank you for selecting American-Standard...the benchmark of fine quality for over 100 years.

To ensure that your installation proceeds smoothly—please read these instructions carefully before you begin.

Installation Instructions T480.500 SERIES

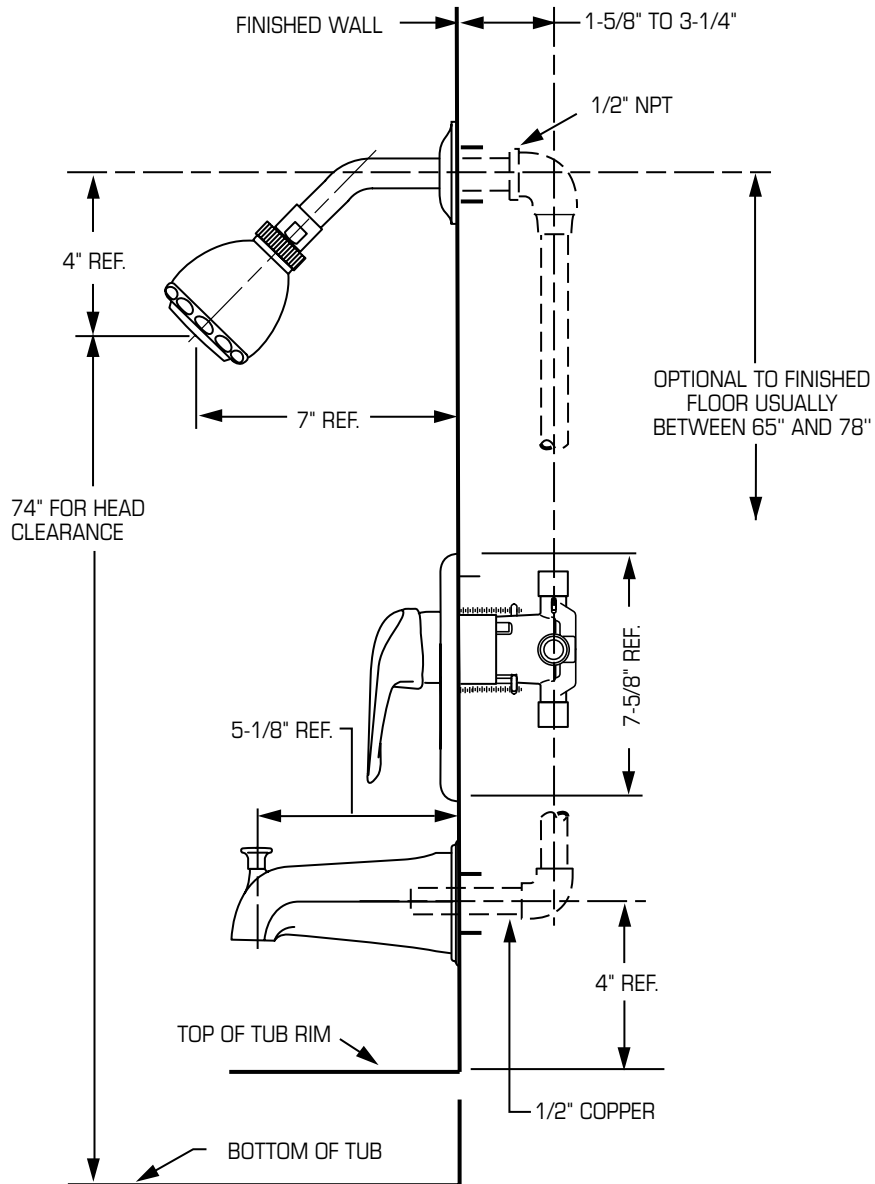


Certified to comply with ANSI A112.18.1
U.S. Patent No. D403,750

M968396 Rev. 1.2

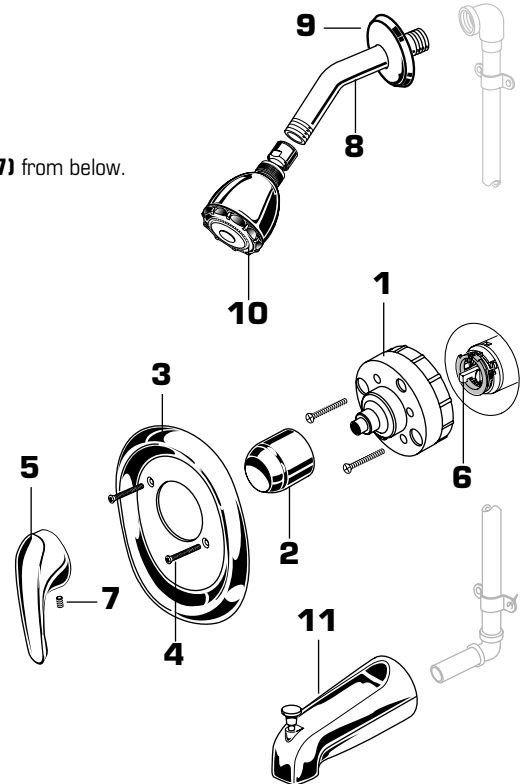
ROUGHING-IN DIMENSIONS

- To assure proper positioning in relation to wall, note roughing-in dimensions.



1 INSTALL TRIM

- Remove PLASTER GUARD (1).
- Push CAP (2) on valve, place ESCUTCHEON (3) and attach with SCREWS (4).
- Install HANDLE (5) by pushing it onto CARTRIDGE STEM (6) and tightening SET SCREW (7) from below.
- Install SHOWER ARM (8) with FLANGE (9) and SHOWER HEAD (10).
- Check proper operation of HANDLE (5) and DIVERTER SPOUT (11).

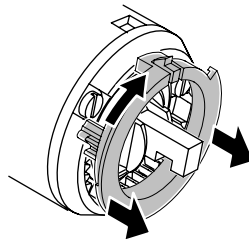


2 ADJUST HOT LIMIT STOP

By restricting handle rotation and limiting the amount of hot water allowed to mix with the cold, the HOT LIMIT SAFETY STOP reduces risk of accidental scalding. To set the maximum hot water temperature of your faucet, all you need to do is adjust the setting on the HOT LIMIT SAFETY STOP.

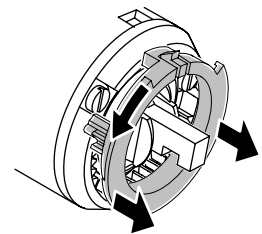
- Remove HANDLE, CAP and HOT LIMIT STOP. Follow "A" or "B" to adjust maximum discharge temperature.

"A"
PRY UPWARD TO UNLOCK AND ROTATE CLOCKWISE ONE CLICK..



ADJUSTMENT WHEN WATER IS TOO COLD

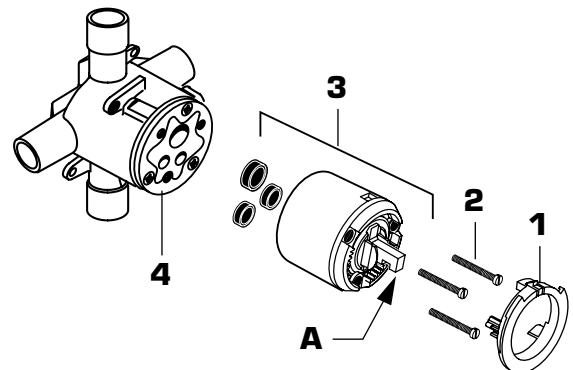
"B"
PRY UPWARD TO UNLOCK AND ROTATE COUNTER-CLOCKWISE ONE CLICK.



ADJUSTMENT WHEN WATER IS TOO HOT

3 SERVICE

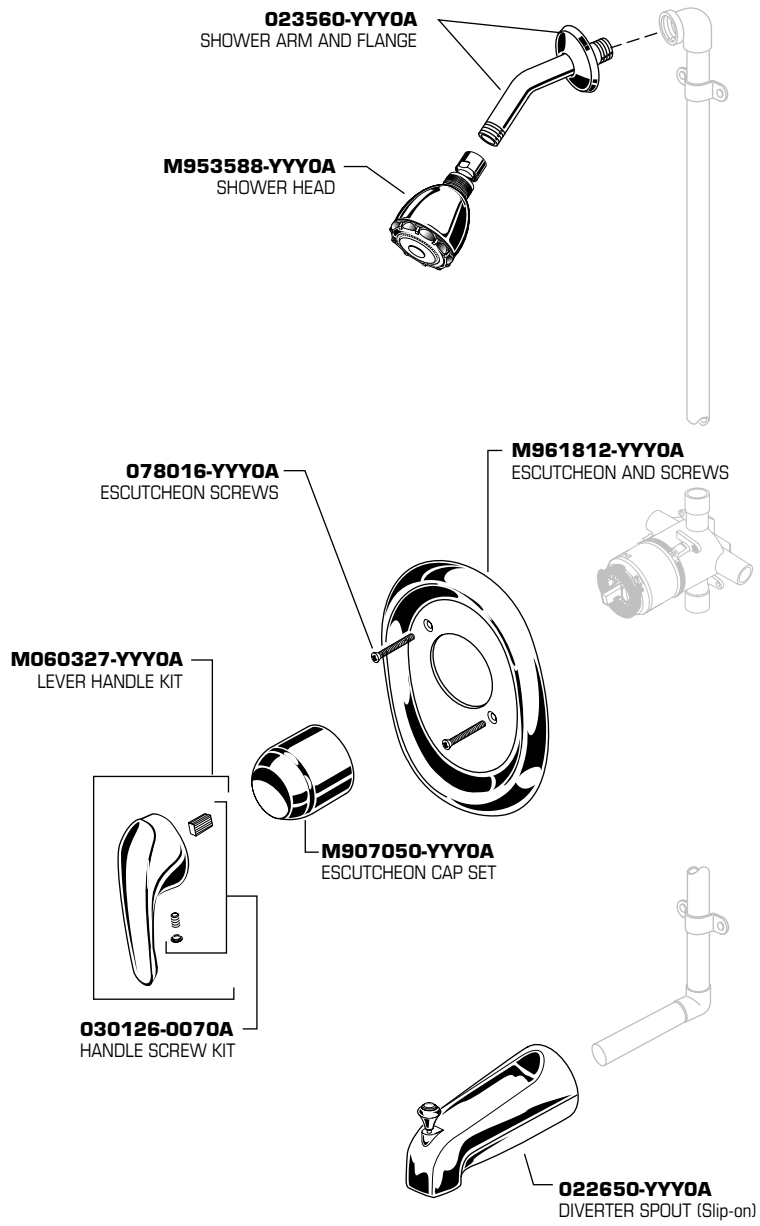
- If faucet drips, operate CARTRIDGE PIVOT (A) handle several times from "off" to "on". Do not apply excessive force.
- Clogged CARTRIDGE (3) inlets may cause reduced flow in "full on" hot or cold. To clean inlets, first turn off water supply, then:
 - Remove HOT LIMIT STOP (1) and CARTRIDGE (2).
 - Clean inlets and MANIFOLD (4).
 - Reassemble CARTRIDGE (3), alternately tightening SCREWS (2).



4 CARE INSTRUCTIONS:

DO: SIMPLY RINSE THE PRODUCT CLEAN WITH CLEAR WATER. DRY WITH A SOFT COTTON FLANNEL CLOTH.

DO NOT: DO NOT CLEAN THE PRODUCT WITH SOAPS, ACID, POLISH, ABRASIVES, HARSH CLEANERS, OR A CLOTH WITH A COARSE SURFACE.



Replace the "YYY" with appropriate finish code

CHROME	002
CHROME/BRASS	299

HOT LINE FOR HELP

For toll-free information and answers to your questions, call:
1-800-442-1902
Weekdays 8:00 a.m. to 6:00 p.m. EST
IN CANADA 1-800-387-0369 (TORONTO 1-905-306-1093)
Weekdays 8:00 a.m. to 7:00 p.m. EST
IN MEXICO 01-800-839-12-00

