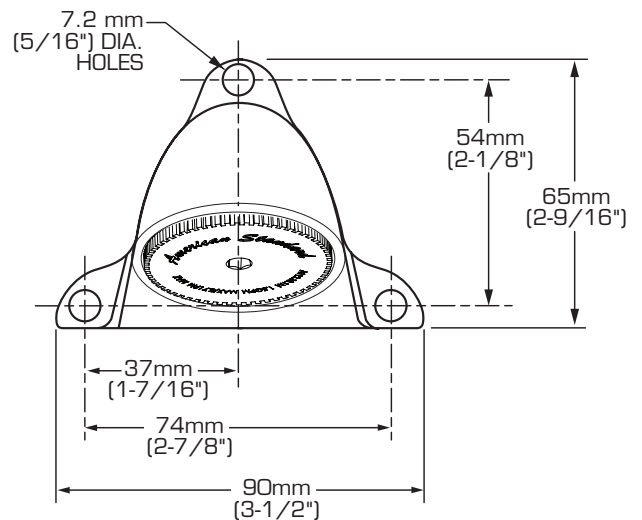
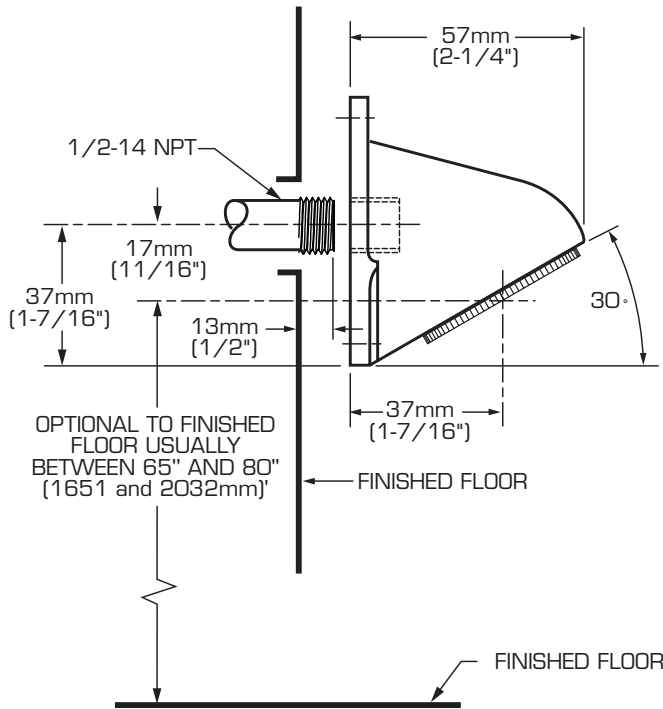


**MODEL NUMBER:**

- 1660.243 Institutional Showerhead, 2.0 gpm
- 1660.244 Institutional Showerhead, 1.5 gpm



**GENERAL DESCRIPTION:**

Wall-mounted showerhead. Vandal-resistant cast brass construction. Includes pressure-compensating flow control device.

**PRODUCT FEATURES:**

- Wall mounted institutional showerhead
- Solid brass construction
- Vandal resistant mounting
- Pressure compensating flow control

**5 Year Warranty:** 5 year limited warranty for commercial installations.

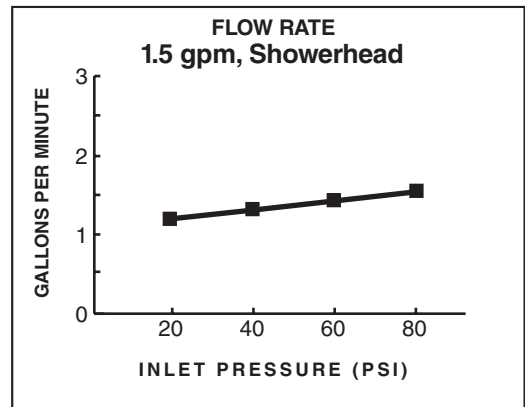
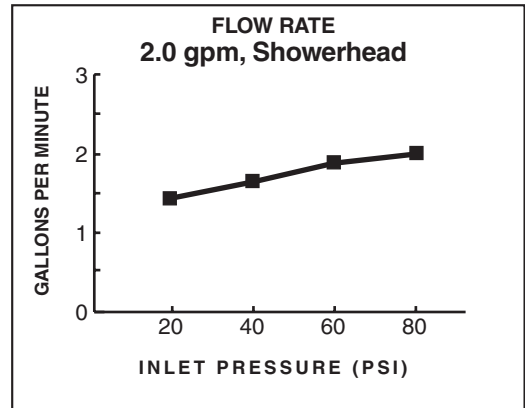
**SUGGESTED SPECIFICATION:**

Wall-mounted showerhead. Shall feature vandal-resistant cast brass construction. Shall also feature pressure-compensating flow control device. Fitting shall be American Standard Model # 1660.24\_\_.

**CODES AND STANDARDS**

Install as required to comply with local code requirements.

**ASME A112.18.1**  
**CSA 125**



Product Number	Description	Finish
		Polished Chrome
1660.243	Institutional Showerhead, 2.0 gpm	002
1660.244	Institutional Showerhead, 1.5 gpm	