

# INSTALLATION INSTRUCTIONS

*American Standard*

Style That Works Better

## ALLBROOK URINAL 6541 & 6550 SERIES

Thank you for selecting American Standard – the benchmark of fine quality for over 100 years. To ensure this product is installed properly, please read these instructions carefully before you begin. (Certain installations may require professional help.) Also be sure your installation conforms to local codes.

### BEFORE YOU BEGIN

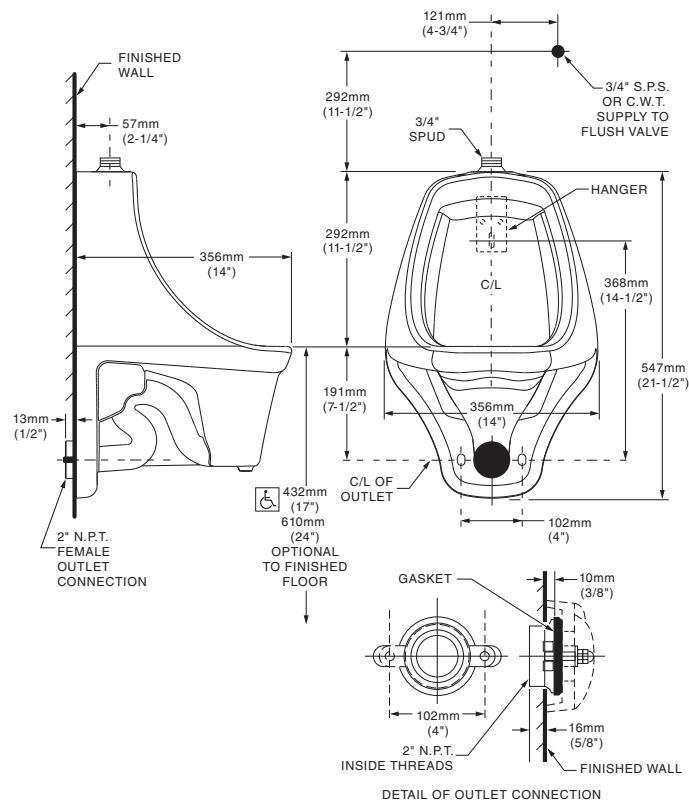
**⚠ CAUTION: PRODUCT IS FRAGILE. TO AVOID BREAKAGE AND POSSIBLE INJURY HANDLE WITH CARE!**

NOTES:

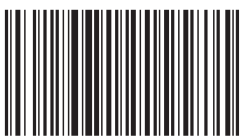
- Pictures may not exactly define contour of china and components.
- Observe all local plumbing and building codes.
- Refer to local codes and manufacturer's instructions for flush valve requirements.
- Carefully inspect the new urinal for damage.
- Fixture dimensions are nominal and conform to tolerances by ASME Standard A112.19.2.
- Site preparation may require additional tools and hardware.

### RECOMMENDED TOOLS AND MATERIALS

Safety Glasses	Tape Measure	Adjustable Wrench	Blade Screwdriver	Pencil	Levels
Thread Sealant	1/4" Ratchet	Hole Cutting Equipment			



SAVE FOR FUTURE USE



7301811-100

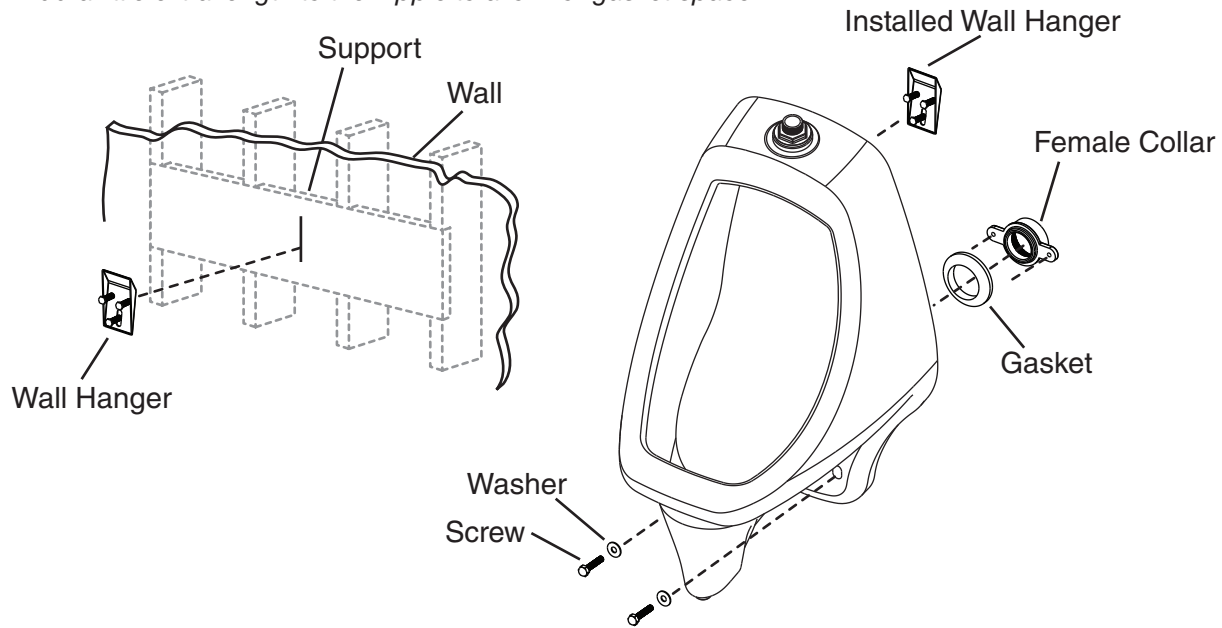
Product names listed herein are trademarks of AS America Inc.  
© AS America Inc. 2011

7301811-100

## 1 PREPARATION

- Turn the water supply OFF.
- Install or relocate the supply tubing and waste pipe as necessary to conform to the roughing in dimensions.
- Install the shut off valve.
- Install adequate support framing for the wall hangers as needed.
- Determine the position of the waste pipe nipple. When establishing the nipple length, take into account the length of the urinal outlet spud and the distance the female collar will thread onto the waste pipe nipple.

NOTE: Add a little extra length to the nipple to allow for gasket space.



## 2 INSTALL THE URINAL

**⚠ CAUTION: RISK OF PERSONAL INJURY OR PRODUCT DAMAGE. HANDLE WITH CARE. VITREOUS CHINA CAN BREAK OR CHIP IF THE PRODUCT IS HANDLED CARELESSLY.**

**⚠ CAUTION: RISK OF PRODUCT DAMAGE. DO NOT OVERTIGHTEN THE BOLTS.**

- Install the wall hangers according to the roughing in illustration.
- Apply thread sealant tape to the pipe threads and install the female collar to the waste pipe.
- Place the gasket onto the female collar with the beveled surface facing away from the collar.
- Carefully position the urinal on the wall hangers.
- Secure the urinal to the female collar using the screws and washers provided.

## 3 COMPLETE THE INSTALLATION

- Install the flush valve according to the manufacturer's instructions.
- Connect the water supply and complete the waste pipe connections.
- Turn on the water supply.
- Flush and check the entire installation for leaks.

## CARE & CLEANING

Wash with mild soapy water and rinse thoroughly. Dry with a soft cloth. Avoid detergents, disinfectants or cleaning products in aerosol cans as they may damage fittings.

### In the United States:

American Standard Brands  
P.O. Box 6820  
Piscataway, New Jersey 08855  
Attention: Director of Customer Care  
For residents of the United States, warranty information may also be obtained by calling the following toll free number: (800) 442-1902  
[www.americanstandard.com](http://www.americanstandard.com)

### In Canada:

AS Canada, ULC  
5900 Avebury Rd.  
Mississauga, Ontario  
Canada L5R 3M3  
Toll Free: (800) 387-0369  
[www.americanstandard.ca](http://www.americanstandard.ca)

### In Mexico:

American Standard B&K Mexico  
S. de R.L. de C.V.  
Via Morelos #330  
Col. Santa Clara  
Ecatepec 55540 Edo. Mexico  
Toll Free: 01-800-839-1200  
[www.americanstandard.com.mx](http://www.americanstandard.com.mx)