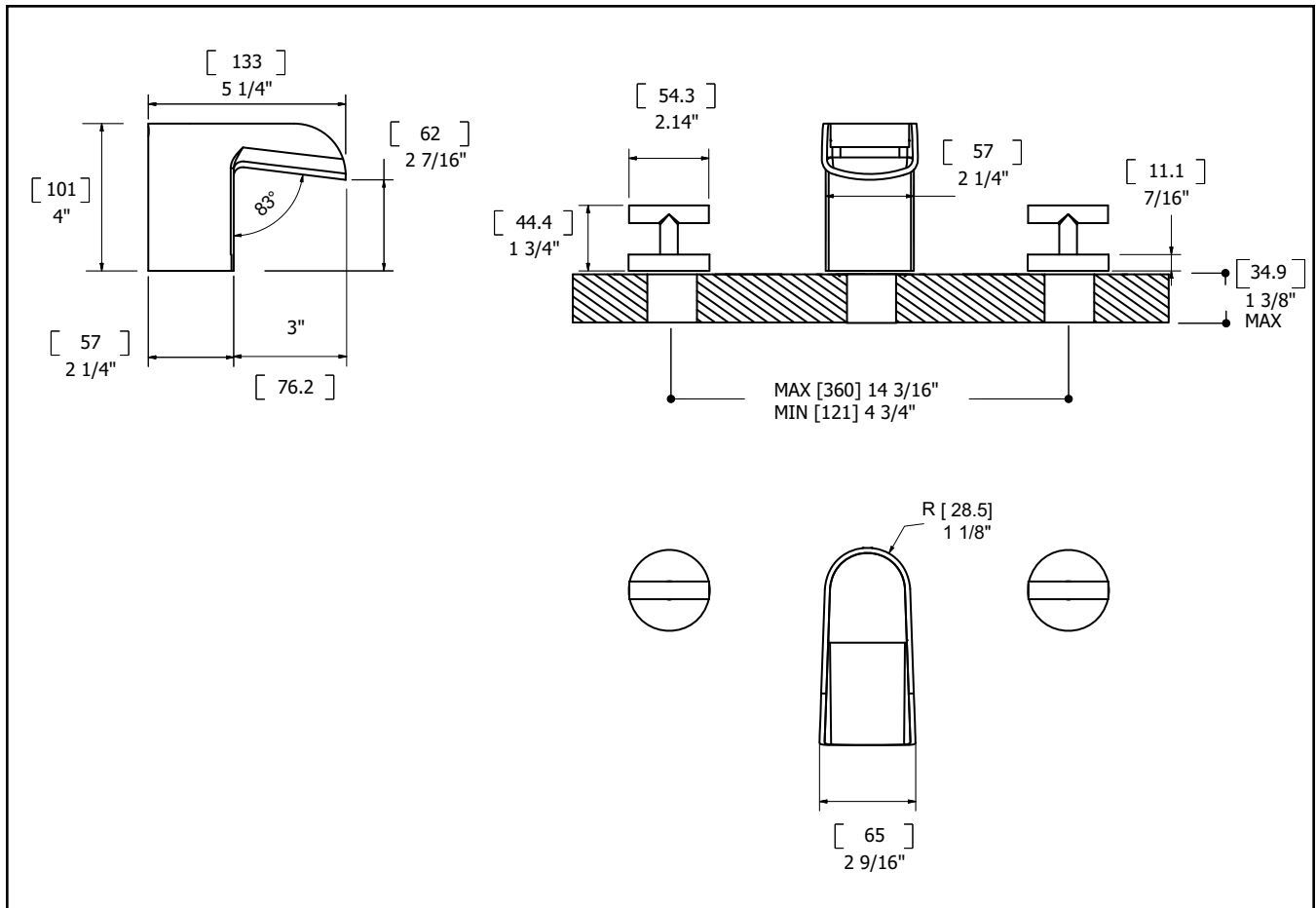
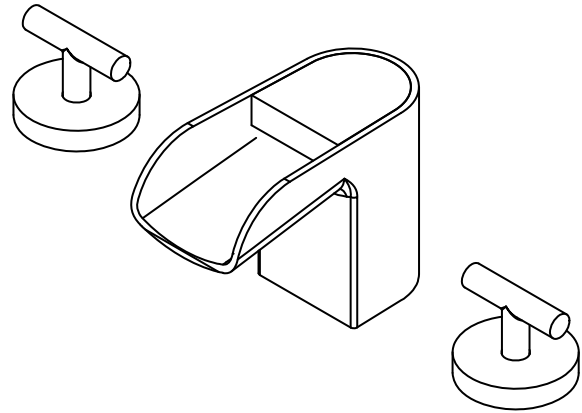


TECHNICAL SPECIFICATIONS

- Solid brass construction
- High quality finishing
- 2GPM water conservation aerator
- Presto pop up drain
- CSA approved



SERVICE PARTS

