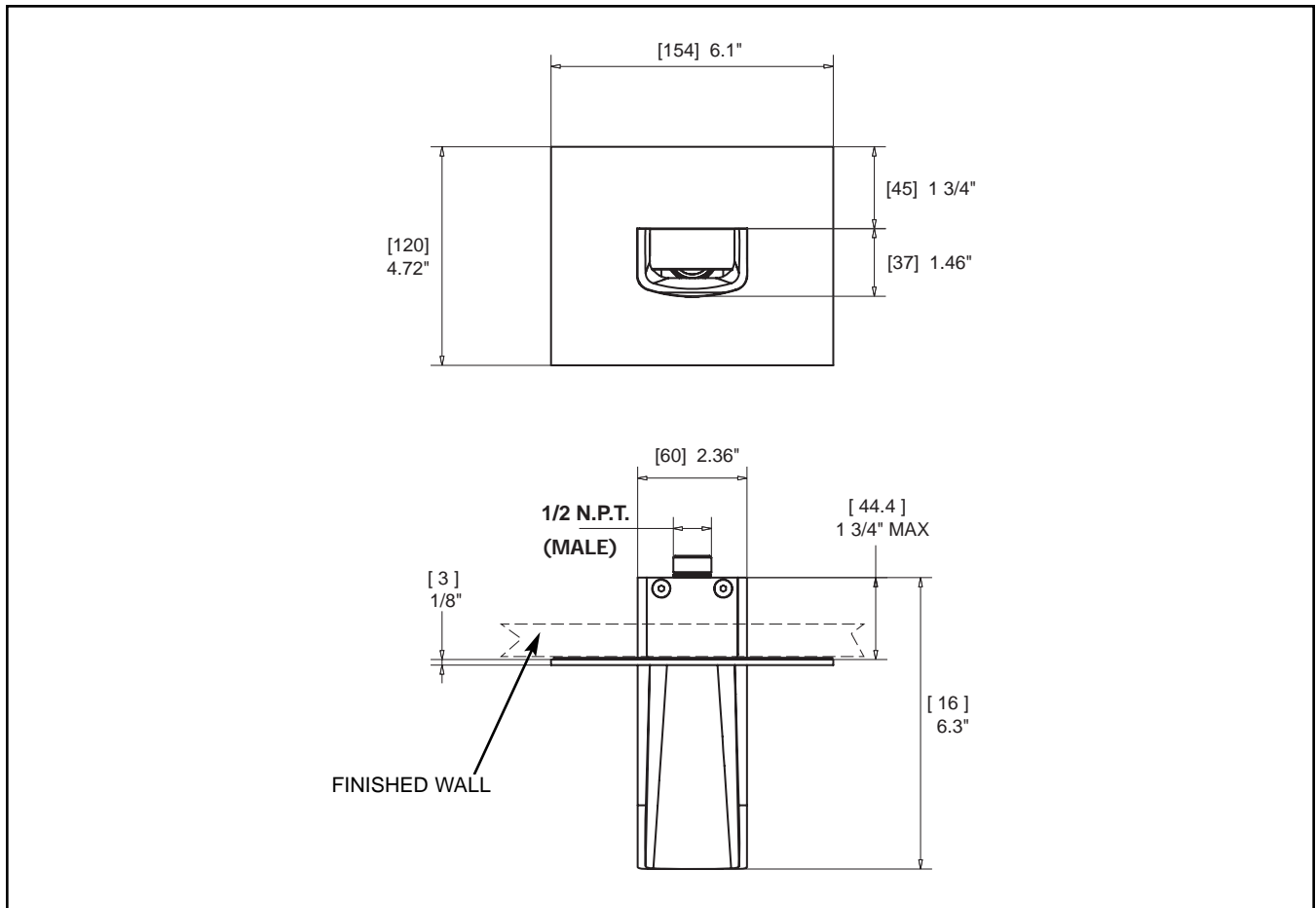
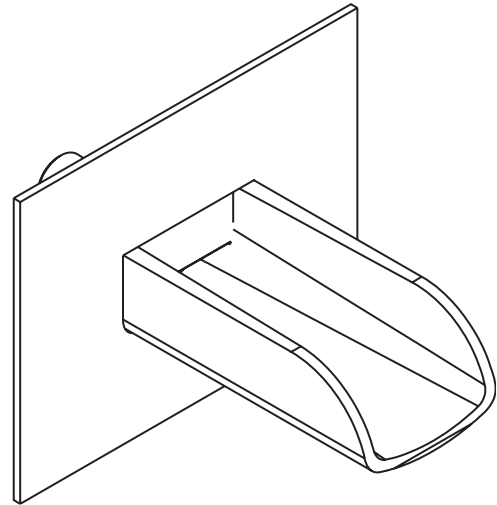


## TECHNICAL SPECIFICATIONS

- Solid brass construction
- High quality finishing
- 4 GPM water conservation aerator
- 1/2" N.P.T. (MALE) connection
- CSA approved



SERVICE PARTS

