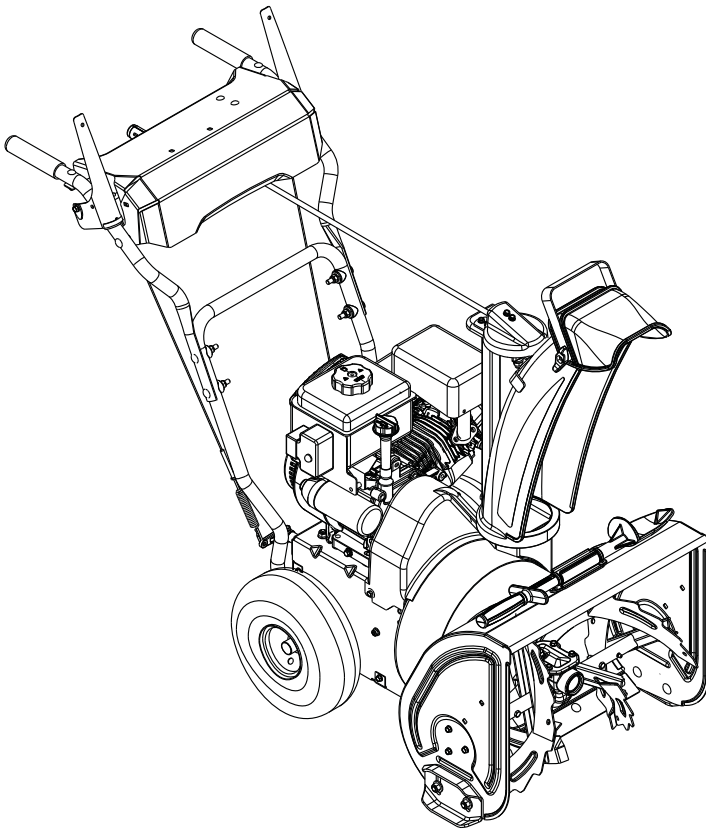




Parts Manual

Models

939401 – Sno-Tek 20
(SN 085,000+)



The use of any gasoline exceeding 10% ethanol (E10) or 10% MTBE will void the product warranty.
L'utilisation d'une essence contenant plus de 10% d'éthanol (E10) ou de 10% de MTBE annulent la garantie.
El uso de cualquier otro tipo de gasolina con un porcentaje superior al 10% de etanol (E10) o al 10% de MTBE invalidará la garantía del producto.

THE MANUAL

Before you operate your unit, carefully and completely read manuals supplied with the unit. The contents will provide you with an understanding of safety instructions and controls during normal operation and maintenance.

For your safety and the safety of others always read, understand, and follow all DANGER, WARNING, and CAUTION messages found in manuals and on safety decals.

Hardware descriptions are given in decimals.

| Decimals to Fractions | | | |
|-----------------------|------|------|-------|
| .063 | 1/16 | .563 | 9/16 |
| .125 | 1/8 | .625 | 5/8 |
| .188 | 3/16 | .688 | 11/16 |
| .250 | 1/4 | .750 | 3/4 |
| .313 | 5/16 | .813 | 13/16 |
| .375 | 3/8 | .875 | 7/8 |
| .438 | 7/16 | .938 | 15/16 |
| .500 | 1/2 | 1.00 | 1 |

SERVICE AND REPLACEMENT PARTS

When ordering replacement parts or making service inquiries, know the model and serial numbers of your unit and engine.

Numbers are located on the product registration card in the unit literature package. They are printed on a serial number label, located on the frame of your unit.

- Record unit model and serial numbers here:

- Record engine model and serial numbers here:

UNAUTHORIZED REPLACEMENT PARTS

Use only Ariens replacement parts. The replacement of any part on this vehicle with anything other than an Ariens authorized replacement part may adversely affect the performance, durability, or safety of this unit and may void the warranty. Ariens disclaims liability for any claims or damages, whether warranty, property damage, personal injury or death arising out of the use of unauthorized replacement parts.

PRODUCT REGISTRATION

The Ariens dealer must register the product at the time of purchase. Registering the product will help the company process warranty claims or contact you with the latest service information. All claims meeting requirements during the limited warranty period will be honored, whether or not the product registration card is returned. Keep a proof of purchase if you do not register your unit.

Customer Note: If dealer does not register your product, please fill out, sign and return the product registration card to Ariens or go to www.ariens.com.

YOUR SATISFACTION IS IMPORTANT

Questions? Please follow these helpful steps:

1. Refer to the manuals supplied with your unit.
They will guide you through safe and proper operation and maintenance.
They contain specifications on your unit.
If your questions are not answered in these manuals, go to step number two.

2. Contact your dealer.
Our dealers will be happy to supply any service or advice required to keep your unit operating at peak efficiency.
A factory trained staff is available to support your equipment needs. They stock genuine Ariens parts and lubricants manufactured with the same precision and skill as the original.

If your questions are not resolved by the support staff, ask for the manager or owner.

When contacting your dealer supply your model and serial numbers.

When contacting your dealer supply your model and serial numbers.

TO SPEED PARTS ORDERING:

1. Know the model and serial numbers of your unit.
2. Know the part number required.
3. Know the quantity required.
4. Know the part description.

MODEL

Model 939401 Sno-Tek 20
20" Sno-Tek, 120V Electric Start
Serial No. 085000+

TABLE OF CONTENTS

DECALS

Decals – Sno-Tek 20 4

ENGINE AND DRIVE

Engine and Belt Drive 6

FRAME AND HOUSING

Handlebars and Controls 8

Auger and Impeller..... 10

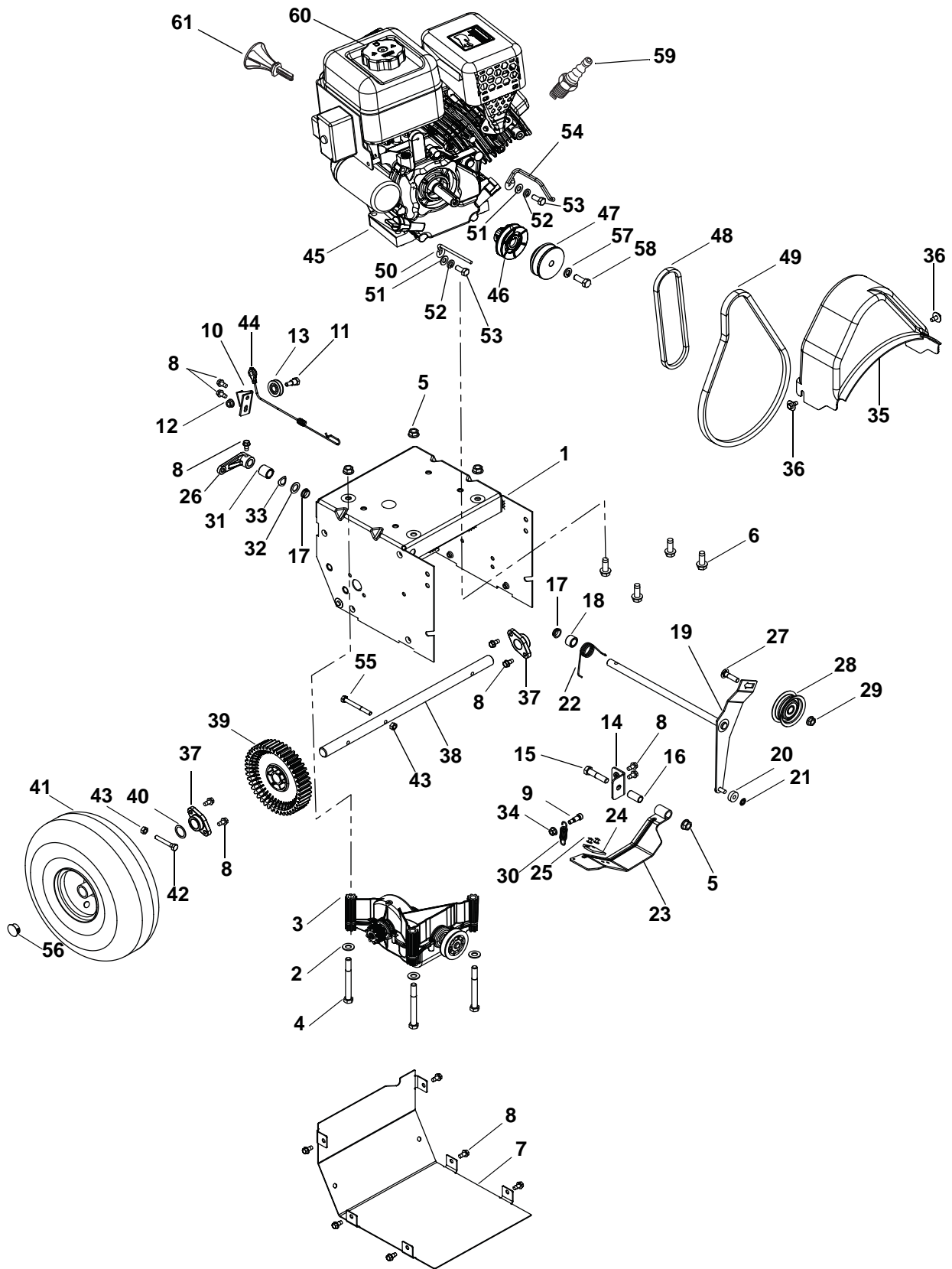
Discharge Chute 12

Gear Case 14

NOTES

ENGINE AND BELT DRIVE

Model 939401



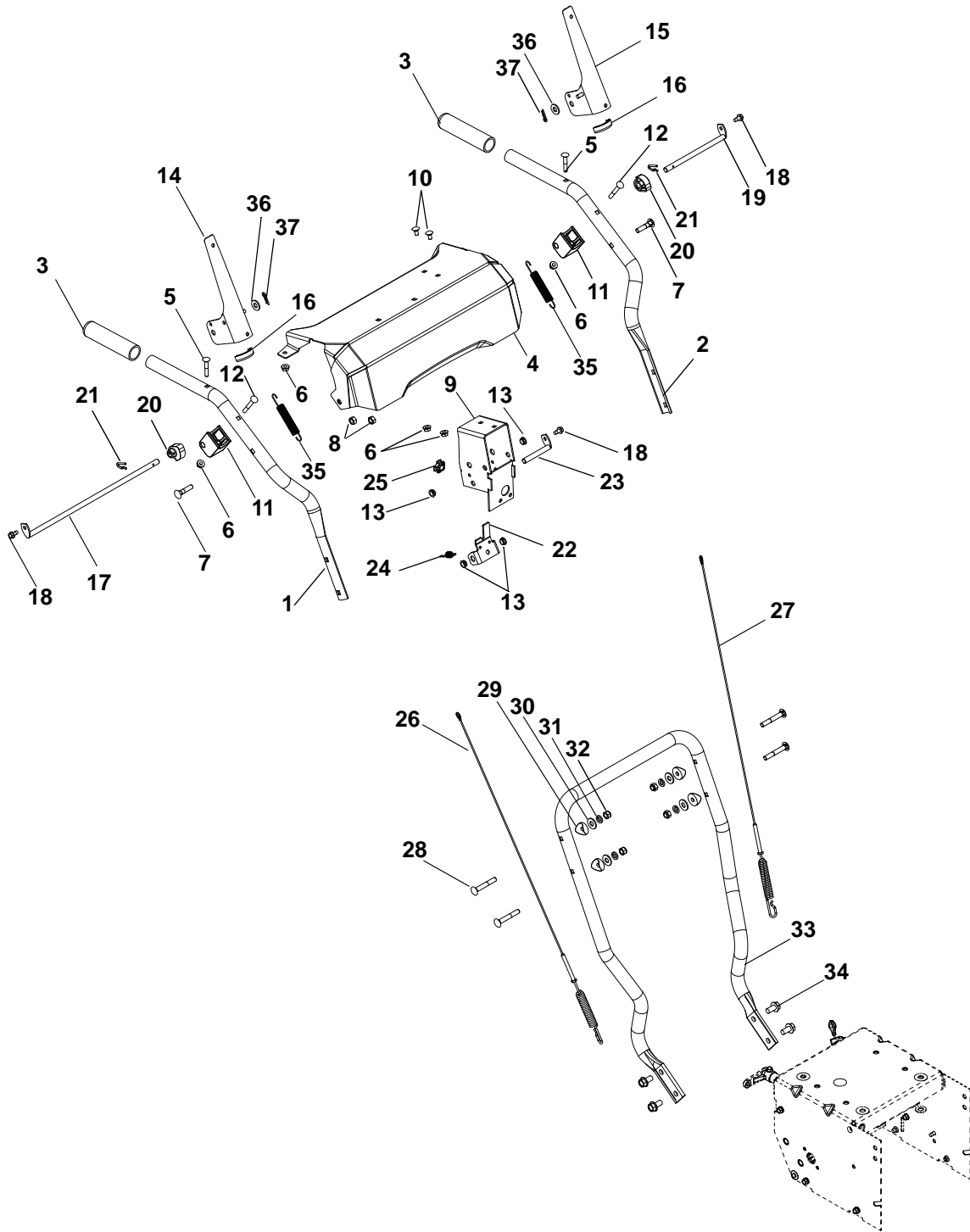
ENGINE AND BELT DRIVE

Model 939401

| Item | Part No. | Qty. | Description |
|------|----------|------|--|
| 1 | 03990451 | 1 | Frame |
| 2 | 06436200 | 3 | Washer, Flat Steel .406 x .812 x .065 |
| 3 | 04499000 | 1 | Transmission |
| 4 | 05960900 | 3 | Bolt, Hex .38-16 x 3.50 |
| 5 | 06542000 | 4 | Nut, Locking Top Flange .38-16 |
| 6 | 07400010 | 4 | Screw, Tapping Hex Washer Head Thread Rolling .38-16 x 1.00 |
| 7 | 00490851 | 1 | Cover, Bottom |
| 8 | 07400034 | 15 | Screw, Tapping Hex Washer Head Thread Rolling .25-20 x .50 |
| 9 | 05900030 | 1 | Bolt, Shoulder |
| 10 | 00373051 | 1 | Bracket, Cable Pulley |
| 11 | 07000021 | 1 | Bolt, Shoulder |
| 12 | 06500710 | 1 | Nut, Locking Center Flange .25-20 |
| 13 | 07300012 | 1 | Pulley, Cable |
| 14 | 00495251 | 1 | Bracket, Brake Mount |
| 15 | 05958500 | 1 | Bolt, Hex .38-16 x 1.75 |
| 16 | 05500106 | 1 | Bushing, Sleeve |
| 17 | 05500028 | 2 | Bushing, Polyliner |
| 18 | 05500107 | 1 | Bushing, Sleeve |
| 19 | 04345700 | 1 | Idler Arm |
| 20 | 05500820 | 1 | Bushing, Sleeve |
| 21 | 05717600 | 1 | Ring, Retaining External .250 x .010 |
| 22 | 08300015 | 1 | Spring |
| 23 | 52000500 | 1 | Arm, Brake with Pad (Includes Items 24 and 25) |
| 24 | 00180500 | 1 | Pad, Brake (Included in Item 23) |
| 25 | 06800028 | 2 | Rivet, Pop .187 (Included in Item 23) |
| 26 | 01987100 | 1 | Arm, Clutch |
| 27 | 06200008 | 1 | Bolt, Round Head Square Short Neck .31-18 x 1.25 |
| 28 | 52007000 | 1 | Idler Kit |
| 29 | 06543100 | 1 | Nut, Locking Top Flange .31-18 |
| 30 | 08300029 | 1 | Spring |
| 31 | 05501104 | 1 | Bushing, Sleeve |
| 32 | 06441100 | 1 | Washer, Flat Steel .52 x .827 x .062 |
| 33 | 06400005 | 1 | Washer, Wave |
| 34 | 06530100 | 1 | Nut, Spin Locking Flange .25-20 |
| 35 | 00497200 | 1 | Cover, Belt |
| 36 | 07400104 | 2 | Screw, Tapping Large Hex Washer Head Thread Rolling .25-20 x .50 |
| 37 | 05500101 | 2 | Bushing, Axle |
| 38 | 04149800 | 1 | Shaft, Axle |
| 39 | 03268200 | 1 | Gear |
| 40 | 06444100 | 2 | Washer, Flat Steel .754 x 1.000 x .032 |
| 41 | 07100222 | 2 | Tire/Wheel, 4.10-4 |
| | 07100724 | 2 | Tire, 4.10-4 |
| | 07100732 | AR | Tube, 4.10-4 |
| 42 | 05953000 | 2 | Bolt, Hex .25-20 x 1.75 Grade 8 |
| 43 | 06529700 | 3 | Nut, Locking Center .25-20 |
| 44 | 06900503 | 1 | Cable |
| 45 | 08200818 | 1 | Engine, LCT Stormforce 136, 120V |
| 46 | 04098200 | 1 | Sheave, Drive |
| 47 | 03776900 | 1 | Sheave, Engine |
| 48 | 07200109 | 1 | V-Belt, Drive |
| 49 | 07200108 | 1 | V-Belt, Auger |
| 50 | 02411000 | 1 | Finger, Belt |
| 51 | 06437200 | 2 | Washer, Flat Steel .344 x .688 x .065 |
| 52 | 06307400 | 2 | Washer, Locking .312 x .097 |
| 53 | 05947300 | 2 | Bolt, Hex .31-24 x .75 |
| 54 | 00498300 | 1 | Finger, Belt |
| 55 | 05900034 | 1 | Bolt, Hex .25-20 x 2.5 Grade 8 |
| 56 | 07500024 | 2 | Plug, Hole |
| 57 | 06308800 | 1 | Washer, Locking .38 x .094 |
| 58 | 05960300 | 1 | Bolt, Hex .38-24 x 1.00 |
| 59 | 21547400 | 1 | Spark Plug |
| 60 | 07500112 | 1 | Fuel Cap |
| 61 | 07500111 | 1 | Key, Push/Pull LCT |

HANDLEBARS AND CONTROLS

Model 939401



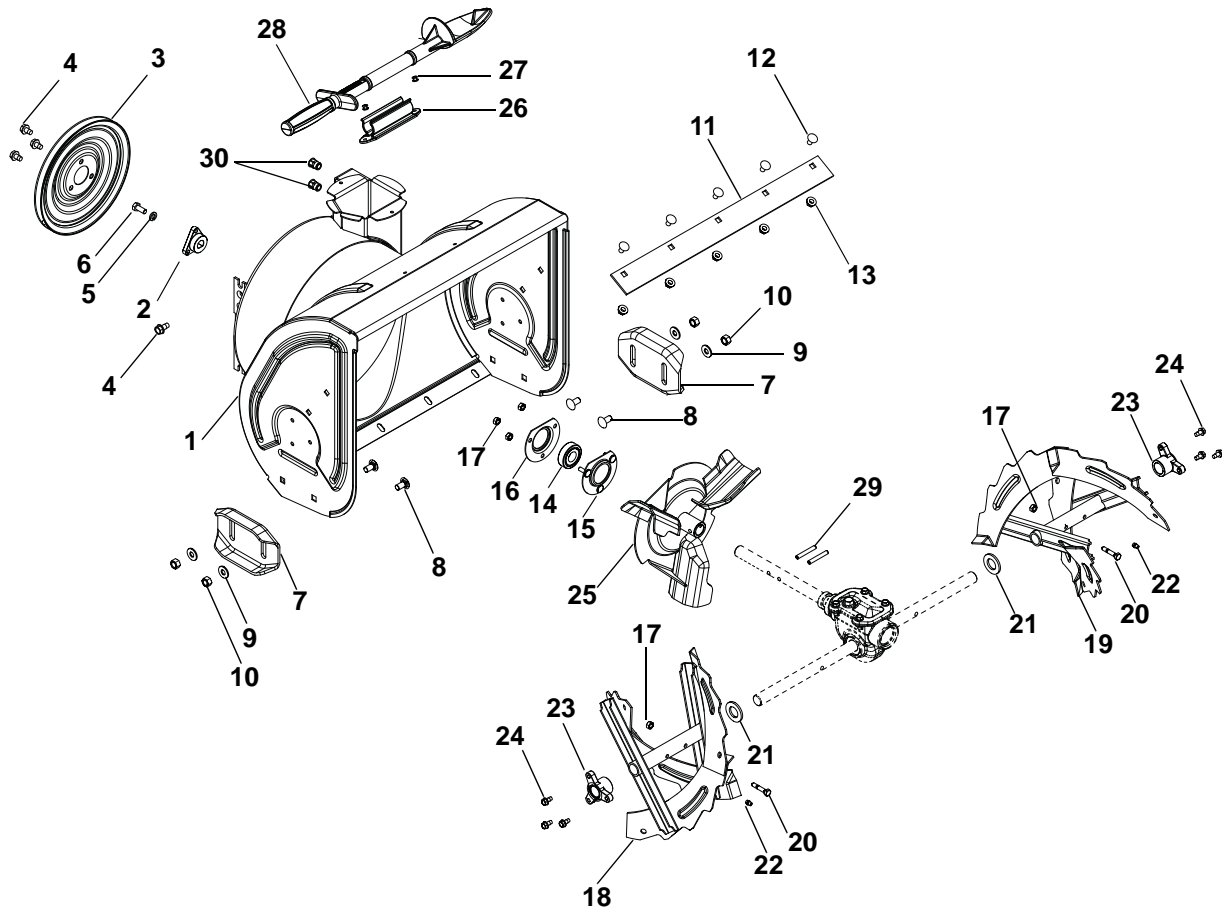
HANDLEBARS AND CONTROLS

Model 939401

| Item | Part No. | Qty. | Description |
|------|----------|------|--|
| 1 | 04318351 | 1 | Handlebar, Upper Right |
| 2 | 04318451 | 1 | Handlebar, Upper Left |
| 3 | 07500239 | 2 | Handle Grip |
| 4 | 53901100 | 1 | Control Panel with Decal |
| 5 | 06220100 | 2 | Bolt, Round Head Extra Long Square Neck .25-20 x 1.25 |
| 6 | 06500710 | 6 | Nut, Locking Center Flange .25-20 |
| 7 | 06200207 | 2 | Bolt, Round Head Extra Long Square Neck .31-18 x 2.00 |
| 8 | 06529800 | 4 | Nut, Locking Center .31-18 |
| 9 | 04316651 | 1 | Bracket, Interlock |
| 10 | 06220600 | 2 | Bolt, Round Head Square Neck .25-20 x .50 |
| 11 | 04310100 | 2 | Clutch Paddle Block |
| 12 | 06209300 | 2 | Bolt, Round Head Extra Long Square Neck .25-20 x 2.00 |
| 13 | 05500020 | 4 | Bushing, Polyliner |
| 14 | 04310551 | 1 | Clutch Handle, Right |
| 15 | 04310451 | 1 | Clutch Handle, Left |
| 16 | 07500103 | 2 | Edging, Clutch Handle |
| 17 | 04321500 | 1 | Rod, Paddle Mount, Long |
| 18 | 07400034 | 3 | Screw, Tapping Hex Washer Head Thread Rolling .25-20 x .50 |
| 19 | 04321600 | 1 | Rod, Paddle Mount, Short |
| 20 | 04322100 | 2 | Cam, Interlock |
| 21 | 06714500 | 2 | Pin, Spring Clip |
| 22 | 04320400 | 1 | Interlock Arm |
| 23 | 04320500 | 1 | Rod, Pivot |
| 24 | 08337000 | 1 | Spring |
| 25 | 04322700 | 1 | Crank Bushing |
| 26 | 06900440 | 1 | Cable, Auger |
| 27 | 06900501 | 1 | Cable, Traction |
| 28 | 06221600 | 4 | Bolt, Round Head Square Neck .31-18 x 2.25 |
| 29 | 07500005 | 4 | Spacer |
| 30 | 06435700 | 4 | Washer, Flat Steel .38 x .875 x .083 |
| 31 | 06307400 | 4 | Washer, Locking .312 x .097 |
| 32 | 06530200 | 4 | Nut, Locking Nylon .31-18 |
| 33 | 04321951 | 1 | Handlebar, Lower |
| 34 | 07028500 | 4 | Bolt, Serrated Flange Hex Washer Head .38-16 x .75 |
| 35 | 08300527 | 2 | Spring |
| 36 | 06437300 | 2 | Washer, Flat Steel .281 x .62 x .065 |
| 37 | 06701900 | 2 | Pin, Hair Internal .06 x .18 x .77 |

AUGER AND IMPELLER

Model 939401



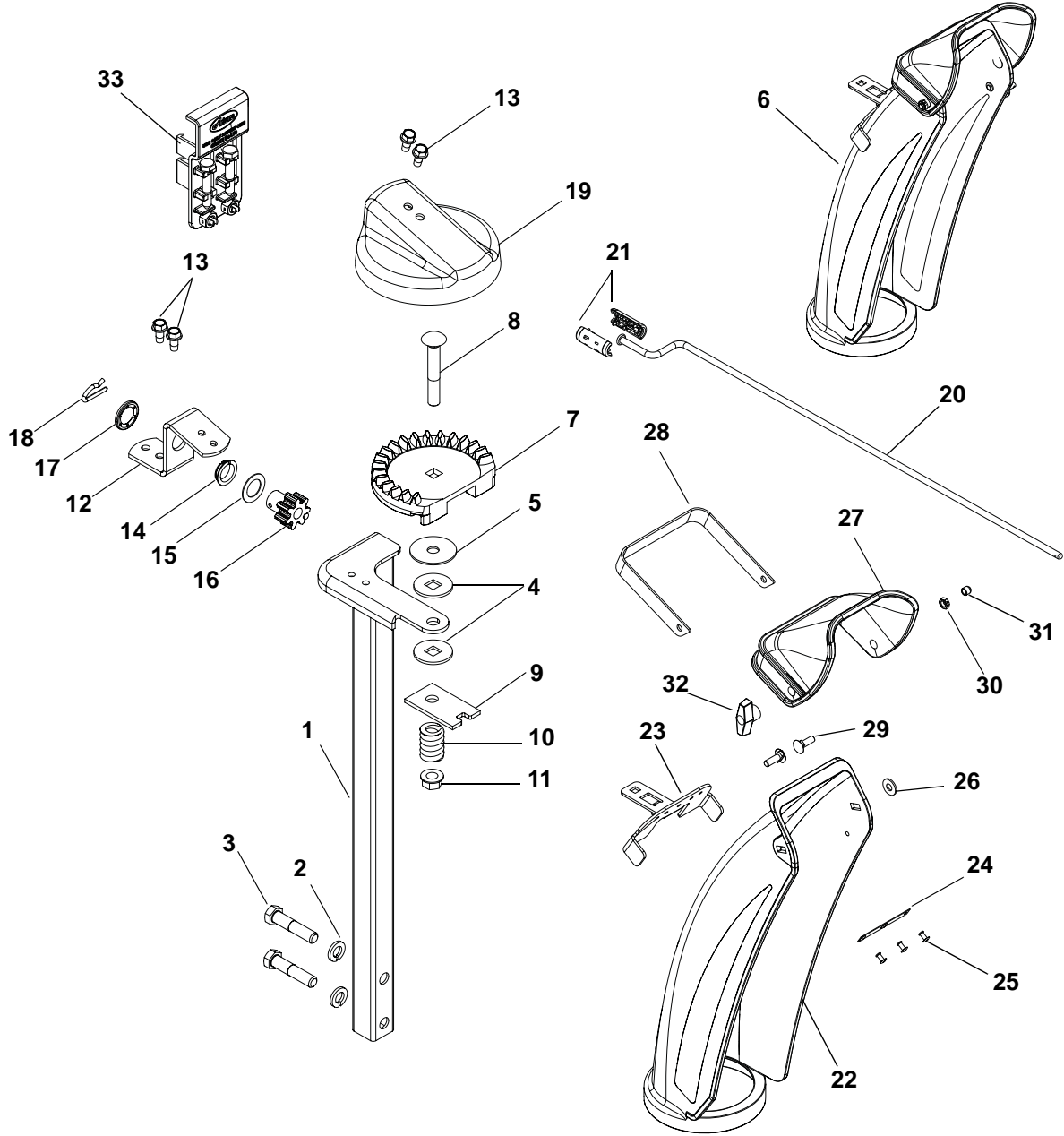
AUGER AND IMPELLER

Model 939401

| Item | Part No. | Qty. | Description |
|------|----------|------|--|
| 1 | 53900800 | 1 | Housing w/Decal, 20" |
| 2 | 00268901 | 1 | Hub |
| 3 | 00268900 | 1 | Pulley |
| 4 | 07411500 | 7 | Screw, Tapping Hex Washer Head Thread Rolling .31-18 x .50 |
| 5 | 06307400 | 1 | Washer, Locking .312 x .097 |
| 6 | 05947300 | 1 | Bolt, Hex .31-24 x .75 |
| 7 | 02483851 | 2 | Skid Shoe |
| 8 | 06200004 | 4 | Bolt, Round Head Square Short Neck .38-16 x .75 |
| 9 | 06435700 | 4 | Washer, Flat Steel .38 x .875 x .083 |
| 10 | 06529600 | 4 | Nut, Locking Center .38-16 |
| 11 | 00396651 | 1 | Blade, Scraper, 20" |
| 12 | 06200209 | 5 | Bolt, Scraper Blade |
| 13 | 06543100 | 5 | Nut, Locking Top Flange .31-18 |
| 14 | 05406300 | 1 | Bearing |
| 15 | 00428700 | 1 | Bearing Flange |
| 16 | 01014200 | 1 | Bearing Flange |
| 17 | 06529700 | 5 | Nut, Locking Center .25-20 |
| 18 | 53212300 | 1 | Rake, Right Hand with Zerk 20" |
| 19 | 53212400 | 1 | Rake, Left Hand with Zerk 20" |
| 20 | 53200500 | 2 | Shear Bolt with Nut (Includes Item 17) |
| 21 | 06439000 | 2 | Washer, Flat Steel .812 x 1.50 x .135 |
| 22 | 07061300 | 2 | Zerk, Fitting .25 x .125 Drive-In |
| 23 | 05500918 | 2 | Bushing |
| 24 | 07400034 | 6 | Screw, Tapping Hex Washer Head Thread Rolling .25-20 x .50 |
| 25 | 03835551 | 1 | Impeller |
| 26 | 00170300 | 1 | Mount, Snow Clean Out |
| 27 | 06800028 | 2 | Rivet, Pop .187 |
| 28 | 00170200 | 1 | Device, Snow Clean Out |
| 29 | 05803700 | 2 | Pin, Roll .25 x 1.75 |
| 30 | 07001612 | 2 | Nut, Threaded Insert .38-16 |

DISCHARGE CHUTE

Model 939401



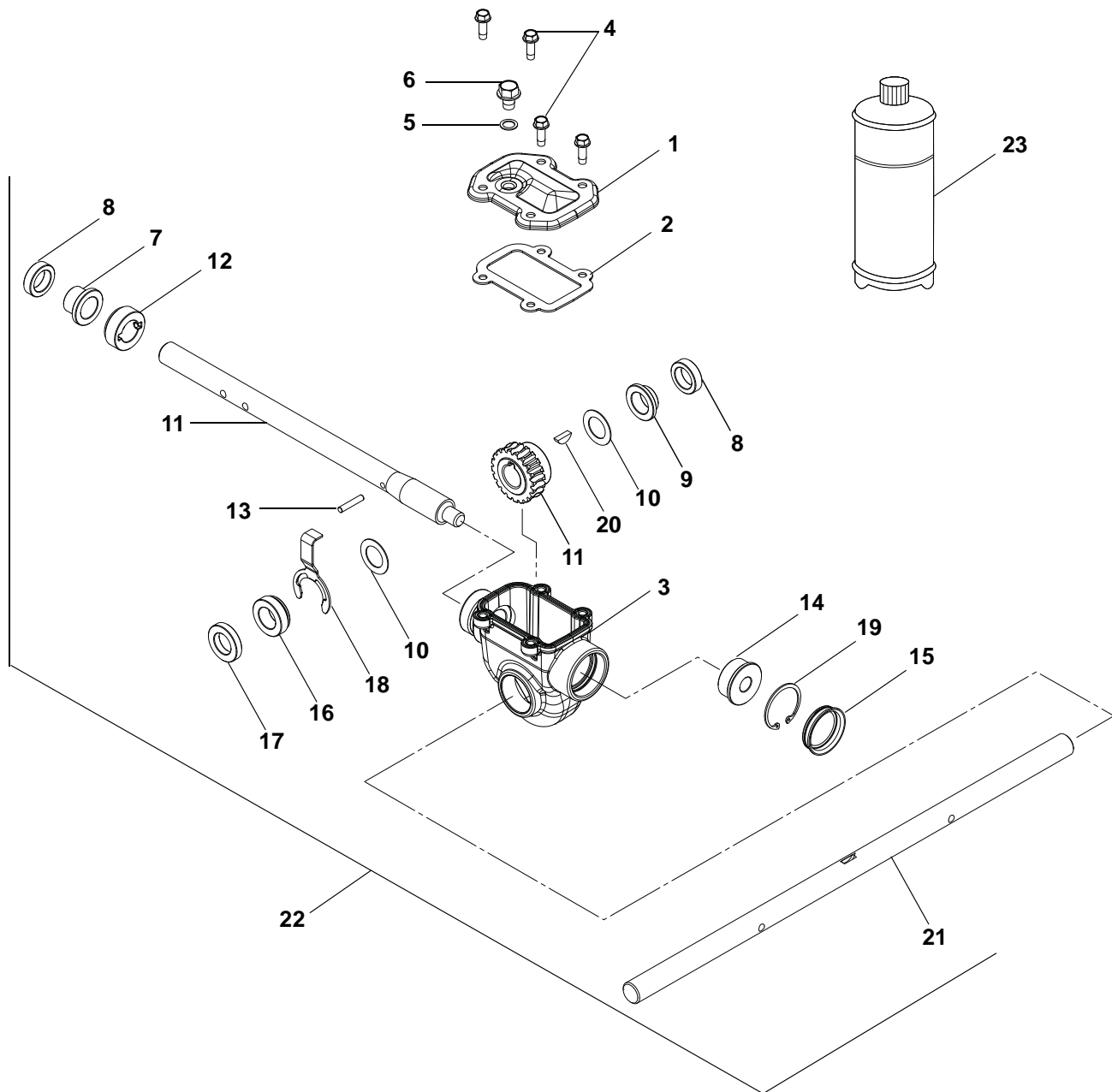
DISCHARGE CHUTE

Model 939401

| Item | Part No. | Qty. | Description |
|------|----------|------|---|
| 1 | 03883751 | 1 | Pedestal, Chute |
| 2 | 06308800 | 2 | Washer, Locking .38 x .094 |
| 3 | 05958500 | 2 | Bolt, Hex .38-16 x 1.75 |
| 4 | 01123800 | 2 | Friction Washer |
| 5 | 06400917 | 1 | Washer, Flat Steel .406 x 1.25 x .10 |
| 6 | 52005600 | 1 | Chute, Discharge with Cap and Decal (Includes Items 22 thru 32) |
| 7 | 03222900 | 1 | Chute Gear |
| 8 | 06224400 | 1 | Bolt, Round Head Square Neck .38-16 x 2.50 |
| 9 | 00398000 | 1 | Plate, Friction |
| 10 | 08320900 | 1 | Spring |
| 11 | 06542000 | 1 | Nut, Locking Top Flange .38-16 |
| 12 | 01972451 | 1 | Bracket, Pinion Gear |
| 13 | 07400034 | 4 | Screw, Tapping Hex Washer Head Thread Rolling .25-20 x .50 |
| 14 | 05500021 | 1 | Bushing, Polyliner |
| 15 | 06400009 | 1 | Washer, Thrust .625 x 1.0 x .03 |
| 16 | 52000100 | 1 | Pinion Gear Assembly (Includes Items 12, 14, 15 and 17) |
| 17 | 03224300 | 1 | Pushnut |
| 18 | 06714500 | 1 | Pin, Spring Clip |
| 19 | 03223000 | 1 | Gear Cover |
| 20 | 04345300 | 1 | Rod, Chute Crank |
| 21 | 07500129 | 2 | Knob, Chute Crank |
| 22 | 04428600 | 1 | Chute, Discharge |
| 23 | 03884751 | 1 | Bracket, Chute Mount |
| 24 | 04440151 | 1 | Plate, Backing |
| 25 | 06800107 | 3 | Rivet, Pop #66 Black |
| 26 | 06435700 | 1 | Washer, Flat Steel .380 x .875 x .083 |
| 27 | 04431900 | 1 | Cap, Deflector |
| 28 | 04443351 | 1 | Handle, Cap |
| 29 | 06200212 | 2 | Bolt, Round Head Rectangular Short Neck .31-18 x 1.00 |
| 30 | 06500011 | 1 | Nut, Locking Center Jam .31-18 |
| 31 | 07500230 | 1 | Cap, End |
| 32 | 07500228 | 1 | Knob, Wing |
| 33 | 52004500 | 1 | Holder w/Spare Shear Bolts |

GEAR CASE

Model 939401



GEAR CASE

Model 939401

| Item | Part No. | Qty. | Description |
|------|----------|------|--|
| 1 | 04280251 | 1 | Cover, Top |
| 2 | 04282400 | 1 | Gasket |
| 3 | 04304600 | 1 | Gear Case |
| 4 | 07414200 | 4 | Screw, Tapping Hex Washer Head Thread Rolling .25-20 x .75 |
| 5 | 06400920 | 1 | Washer, Seal |
| 6 | 07400110 | 1 | Screw, Tapping Hex Washer Head Rolok .38-16 x .50 |
| 7 | 05501020 | 1 | Bushing, Flange |
| 8 | 05600509 | 2 | Seal, Oil |
| 9 | 05501106 | 1 | Bushing, Flange |
| 10 | 06400912 | 2 | Washer, Flat Steel .760 x 1.225 x .032 |
| 11 | 52003400 | 1 | Worm Shaft and Worm Gear Set |
| 12 | 04277000 | 1 | Thrust Collar |
| 13 | 05800207 | 1 | Pin, Straight .188 x 1.00 6150 |
| 14 | 05501108 | 1 | Bushing, Flange |
| 15 | 04302800 | 1 | Cover, Front |
| 16 | 05501107 | 1 | Bushing, Flange |
| 17 | 05600508 | 1 | Seal, Oil |
| 18 | 04323600 | 1 | Bushing Retainer |
| 19 | 05700212 | 1 | Ring, Retaining Internal 1.500 x .050 |
| 20 | 06609300 | 1 | Key, Woodruff .19 x .63 Hardened #61 |
| 21 | 00260500 | 1 | Shaft, Rake |
| 22 | 53900900 | 1 | Gear Case Assembly (Includes Items 1 – 21) |
| 23 | 00068800 | 1 | Gear Lube, 8 oz. Bottle |



Ariens
655 West Ryan Street
Brillion, WI 54110
920-756-4688
Fax 920-756-2407
www.ariens.com

An *Ariens* Company Brand