



WAW

Parts Manual

Model

911413 – WAW 34
(SN 013000 +)



The use of any gasoline exceeding 10% ethanol (E10) or 10% MTBE will void the product warranty.
L'utilisation d'une essence contenant plus de 10% d'éthanol (E10) ou de 10% de MTBE annulent la garantie.
El uso de cualquier otro tipo de gasolina con un porcentaje superior al 10% de etanol (E10) o al 10% de MTBE invalidará la garantía del producto.

THE MANUAL

Before you operate your unit, carefully and completely read manuals supplied with the unit. The contents will provide you with an understanding of safety instructions and controls during normal operation and maintenance.

For your safety and the safety of others always read, understand, and follow all DANGER, WARNING, and CAUTION messages found in manuals and on safety decals.

Hardware descriptions are given in decimals.

Decimals to Fractions			
.063	1/16	.563	9/16
.125	1/8	.625	5/8
.188	3/16	.688	11/16
.250	1/4	.750	3/4
.313	5/16	.813	13/16
.375	3/8	.875	7/8
.438	7/16	.938	15/16
.500	1/2	1.00	1

SERVICE AND REPLACEMENT PARTS

When ordering replacement parts or making service inquiries, know the Model and Serial numbers of your unit and engine.

Numbers are located on the product registration card in the unit literature package. They are printed on a serial number label, located on the frame of your unit.

- Record Unit Model and Serial numbers here:

- Record Engine Model and Serial numbers here:

UNAUTHORIZED REPLACEMENT PARTS

Use only Ariens replacement parts. The replacement of any part on this vehicle with anything other than a Ariens authorized replacement part may adversely affect the performance, durability, or safety of this unit and may void the warranty. Ariens disclaims liability for any claims or damages, whether warranty, property damage, personal injury or death arising out of the use of unauthorized replacement parts.

PRODUCT REGISTRATION

The Ariens dealer must register the product at the time of purchase. Registering the product will help the company process warranty claims or contact you with the latest service information. All claims meeting requirements during the limited warranty period will be honored, whether or not the product registration card is returned. Keep a proof of purchase if you do not register your unit.

Customer Note: If Dealer does not register your product, please fill out, sign and return the product registration card to Ariens or go to www.ariens.com.

YOUR SATISFACTION IS IMPORTANT

Questions? Please follow these helpful steps:

1. Refer to the manuals supplied with your unit.
They will guide you through safe and proper operation and maintenance.
They contain specifications on your unit.
If your questions are not answered in these manuals, go to step number two.
2. Contact Your Dealer.
Our dealers will be happy to supply any service or advice required to keep your unit operating at peak efficiency.
A factory trained staff is available to support your equipment needs. They stock genuine Ariens parts and lubricants manufactured with the same precision and skill as the original.
If your questions are not resolved by the support staff, ask for the manager or owner.
When contacting your Dealer supply your model and serial numbers.

TO SPEED PARTS ORDERING:

1. Know the model and serial numbers of your unit.
2. Know the part number required.
3. Know the quantity required.
4. Know the part description.

MODELS

Domestic

Model 911413 (WAW 34)

14.5hp Briggs & Stratton, Swivel

34" Mower Deck

Serial No. 013000 and up

TABLE OF CONTENTS

DECALS

Decals 4

MAIN FRAME

Handlebars..... 6

Controls 8

Frame and Front Caster..... 10

ENGINE & DRIVE

Engine, Clutch and Idler..... 12

Transmission and Drive 14

Transmission 16

Brake 18

Wheels..... 19

ELECTRICAL

Electrical..... 20

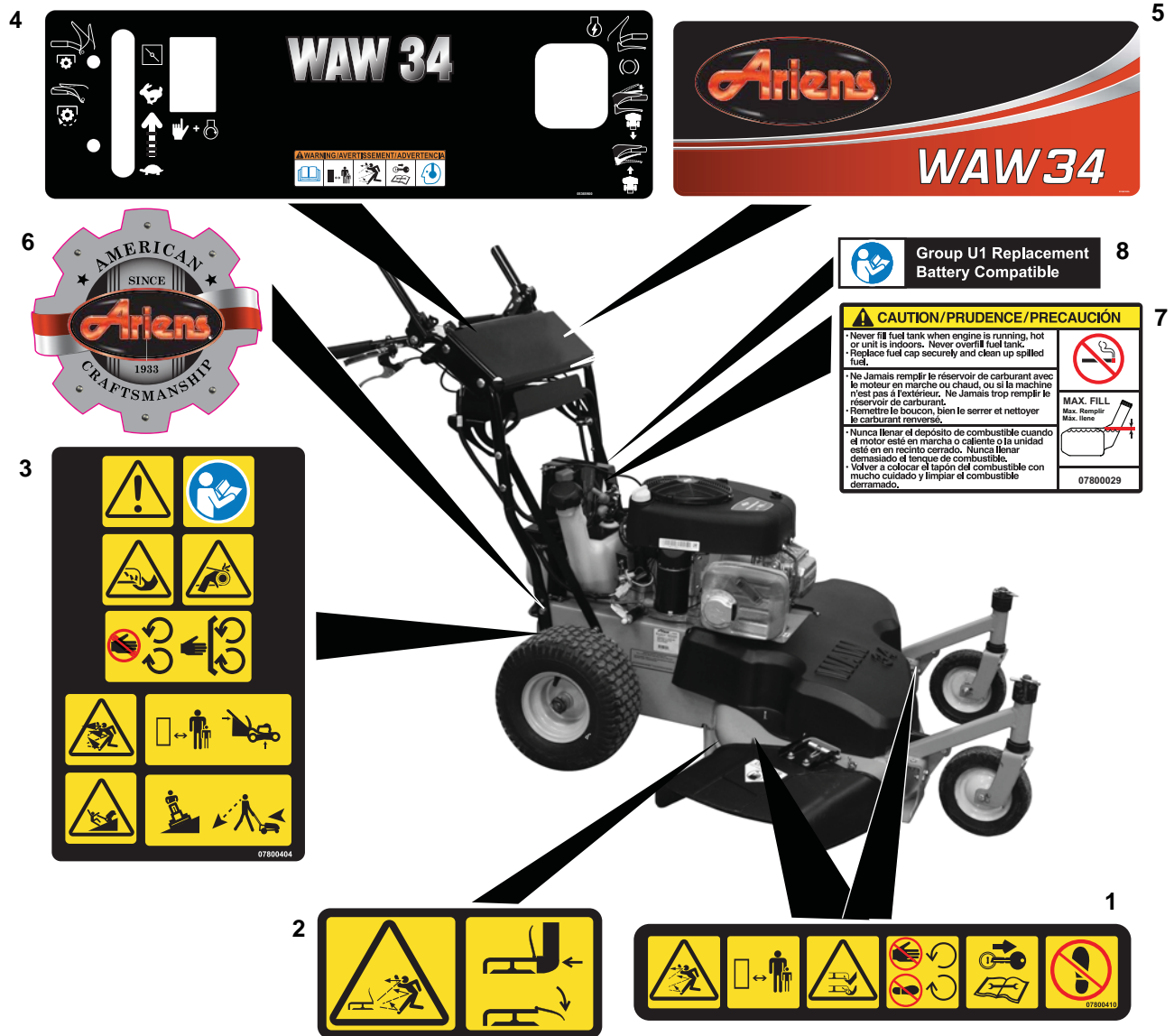
DECKS

Deck..... 22

Belt Diagrams..... 24

DECALS

Model 911413

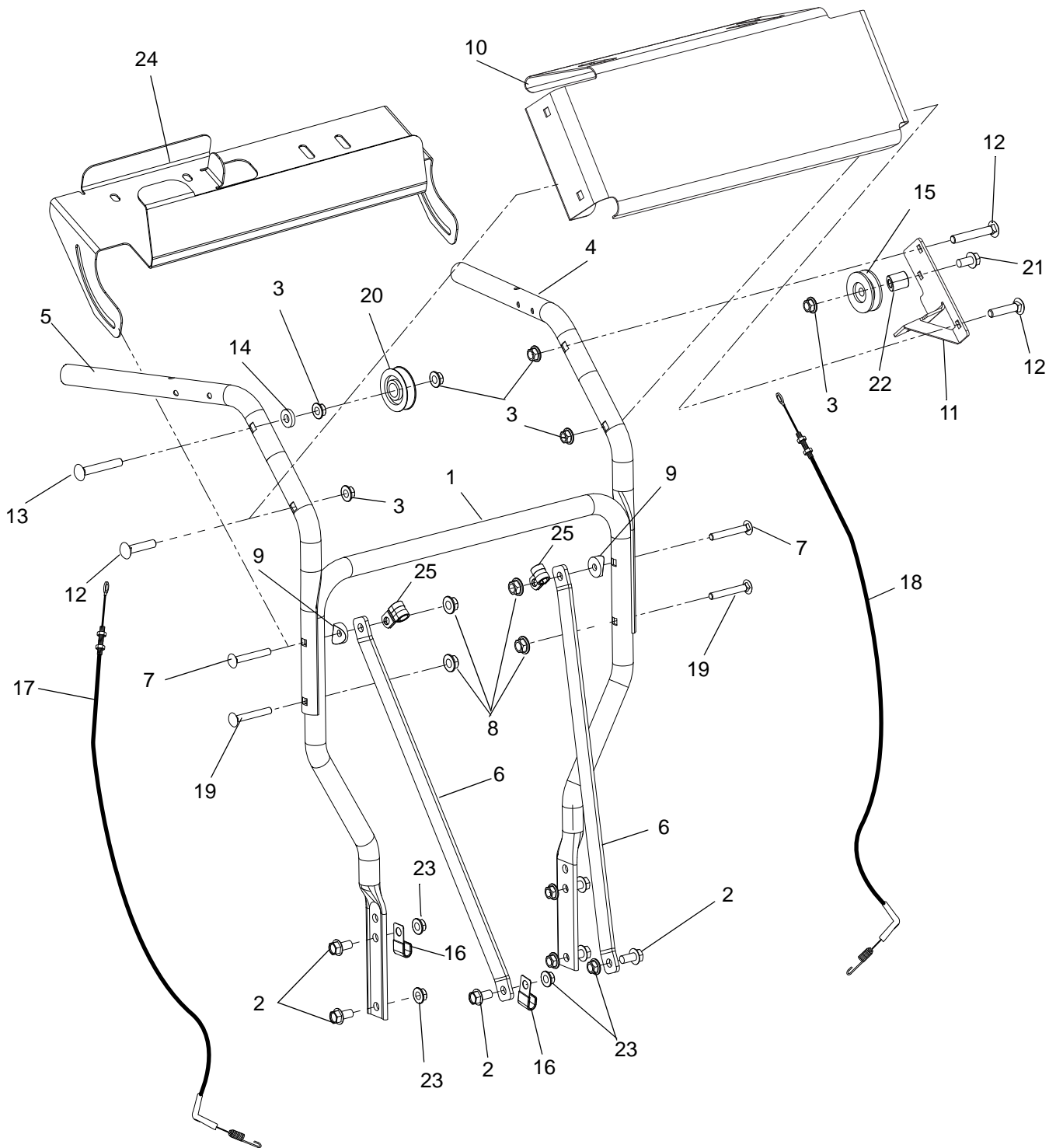


Item	Part No.	Qty.	Description
1	07800410	2	Decal, Deck Safety
2	07800402	1	Decal, Deck Guarding Safety
3	07800404	1	Decal, Main Safety
4	05365900	1	Decal, WAW 34 Operational
5	05364300	1	Decal, WAW 34 Ariens Dash
6	08000513	1	Decal, Ariens Heritage
7	07800029	1	Decal, Fuel, Warning
8	07800336	1	Decal, U1 Battery Replacement

NOTES

HANDLEBARS

Model 911412



PM00_10A_A_handlebars

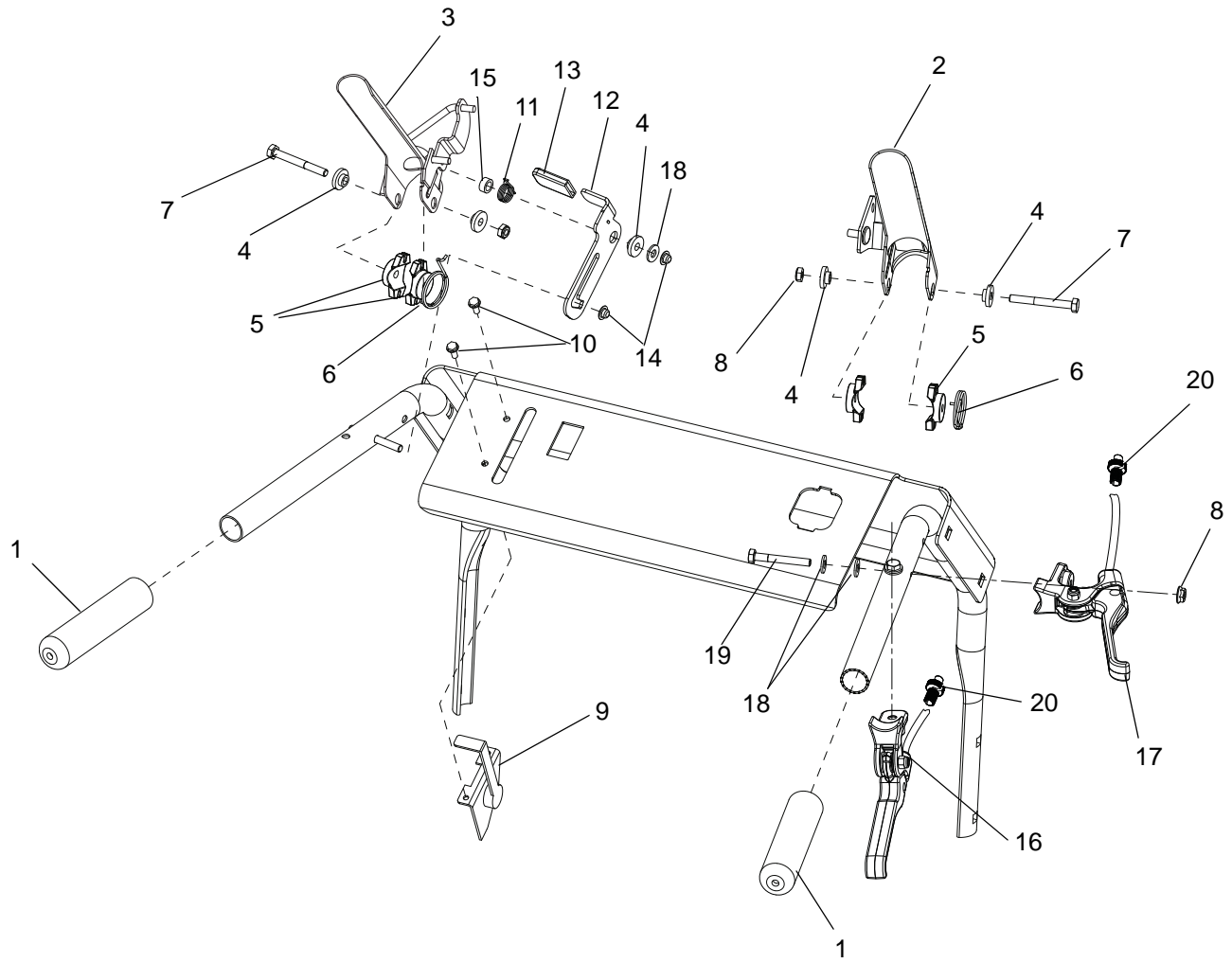
HANDLEBARS

Model 911412

Item	Part No.	Qty	Description
1	00373251	1	Handlebar, Lower
2	07028500	6	Bolt, Screw Hex Flanged Whiz Lock Head .38-16 x .75
3	06542000	9	Nut, Locking Top Flange .38-16
4	01252851	1	Handlebar, Upper Left Hand
5	01246451	1	Handlebar, Upper Right Hand
6	03264351	2	Bracket, Handlebar Brace
7	06221600	2	Bolt, Round Head Square Neck .31-18 x 2.25
8	06545400	4	Nut, Nyloc Flange .31-18
9	07500005	2	Spacer, Handlebar
10	03986151	1	Dash, WAW
11	01288951	1	Mount, PTO Cable
12	06223800	3	Bolt, Round Head Square Neck .38-16 x 1.75
13	06224400	1	Bolt, Round Head Square Neck .38-16 x 2.50
14	06444000	1	Washer, Flat Steel .406 x 1.0 x .18
15	00444400	1	Idle, 3L Front Side .38 x 1.875
16	06909400	2	J-Clamp
17	06900414	1	Cable, P-Brake
18	06900413	1	Cable, PTO
19	06220200	2	Bolt, Round Head Square Neck .312-18 x 1.75
20	07300012	1	Pulley, Cable
21	05958400	1	Bolt, Hex .38-16 x 2.50
22	05501003	1	Spacer, .437 x 1.00 x 1.23
23	06534800	4	Nut, Locking Center Flange .38-16
24	04218651	1	Bracket, Emission Component Mount
25	06908200	2	Clamp, Cushioned Steel

CONTROLS

Model 911412



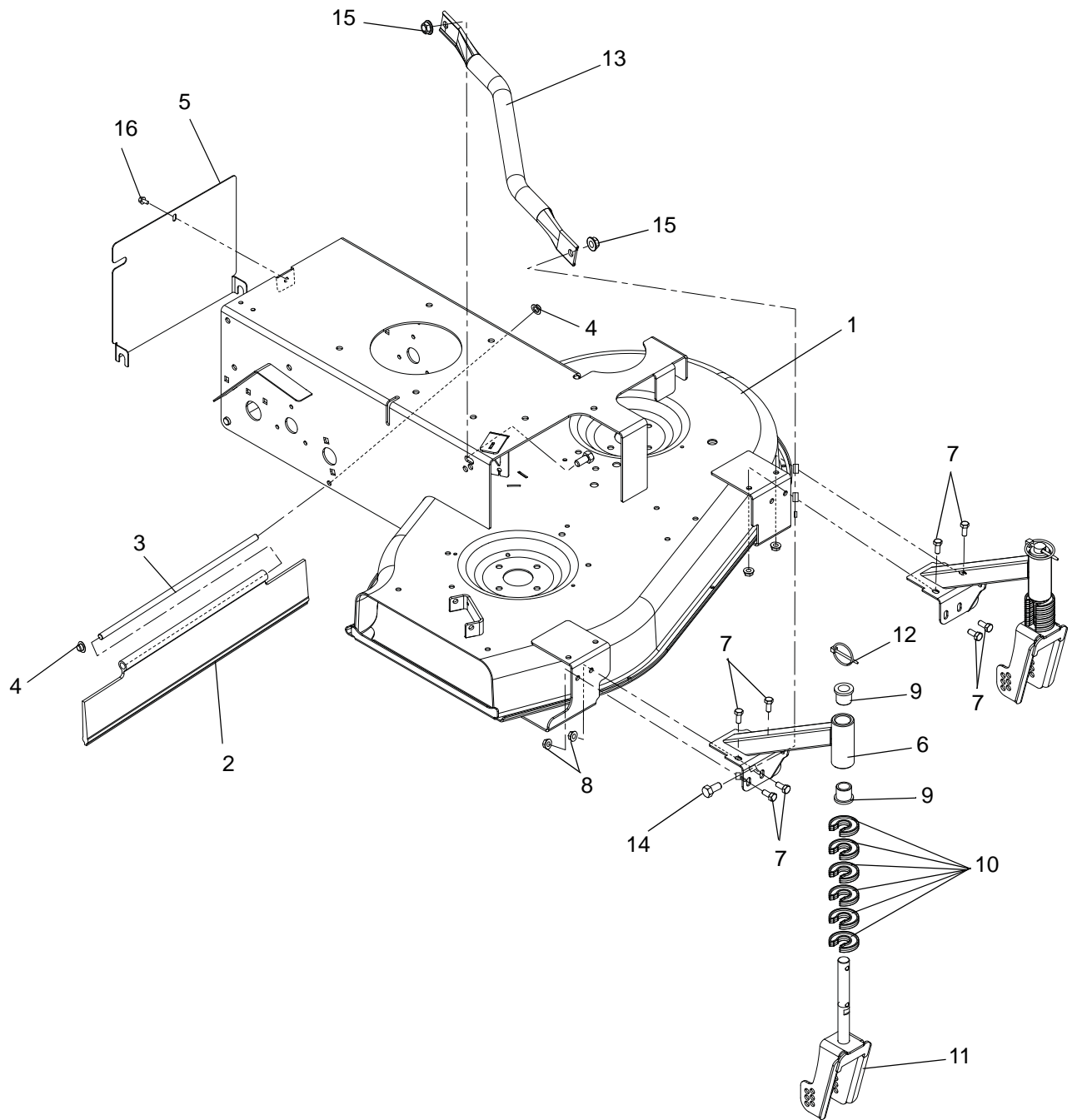
CONTROLS

Model 911412

Item	Part No.	Qty.	Description
1	07518700	2	Grip, Handle
2	01288751	1	Paddle, Pillow Brake
3	01327251	1	Weldment, Paddle Left Hand
4	00399300	5	Bushing, Flange .266 x .42 x .150 x .750
5	05500040	4	Spacer, Handlebar
6	08300026	2	Spring, Torsion
7	05956700	2	Bolt, Hex .25-20 x 2.25
8	06530900	4	Nut, Nylon Jam .250-20
9	06900415	1	Cable, Throttle
10	07415800	1	Screw, Tapping 10-24 x .50 Hex Washer Head
11	08300014	1	Spring, Torsion
12	03283000	1	Bracket - Lever, Interlock
13	04928700	1	Grip, Thumb Latch
14	02215300	2	Nut, Push .25
15	01252600	1	Tube, Spacer .33 x .50
16	06900329	1	Lever, Control With Cable Forward
17	06900330	1	Lever, Control With Cable Reverse
18	06437300	5	Washer, Flat Steel .281 x .62 x 0.65
19	05967100	2	Bolt, Hex .25-20 x 2.00
20	06900401	2	Cable Adjuster, Steel (Service Only)

FRAME AND FRONT CASTER

Model 911412



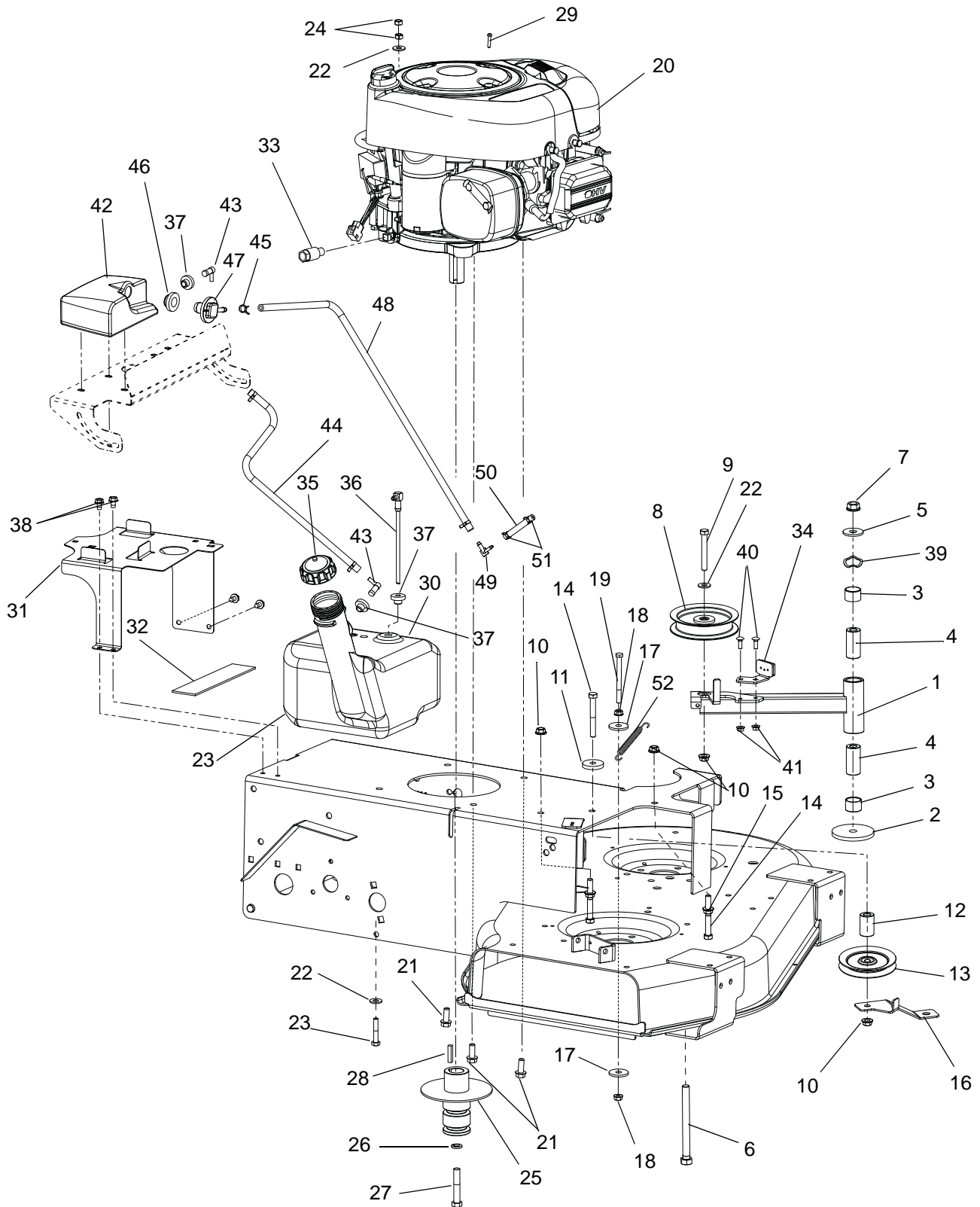
FRAME AND FRONT CASTER

Model 911412

Item	Part No.	Qty.	Description
1	01500053	1	Chassis, Wide Area Walk
2	07531500	1	Guard, Rear Swivel
3	03263700	1	Rod, Trailing Shield
4	07008200	2	Nut, Push .312 Dia. PAL
5	03985953	1	Cover, Rear Chassis
6	03985453	2	Weldment, Caster Arm
7	05947000	8	Bolt, Hex .31-18 x .75
8	06543100	8	Nut, Locking Top Flange .31-18
9	03985500	4	Bushing, Flange .75 x .75 x 1.0
10	03265100	12	Clip, HOC Fixed
11	04059653	2	Fork, WAW Caster
12	06700204	2	Pin, Lynch .25 x 1.25
13	01248551	1	Strap, Frame Reinforcing
14	05959400	2	Bolt, Hex .38-16 x .75
15	06542000	2	Nut, Locking Top Flange .38-16
16	07412000	1	Screw, Tapping .25-20 x .50

ENGINE, CLUTCH AND IDLER

Model 911412



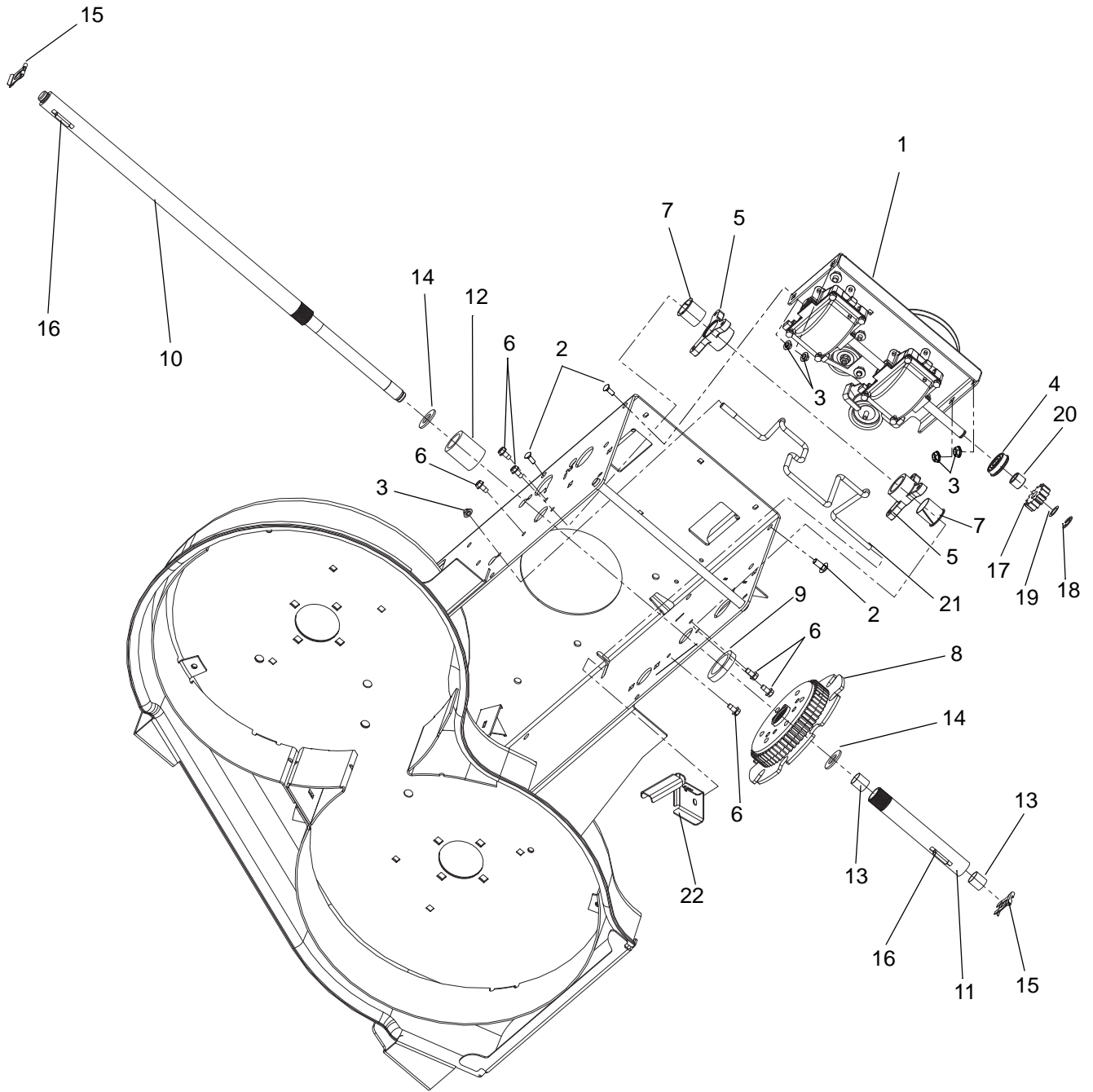
ENGINE, CLUTCH AND IDLER

Model 911412

Item	Part No.	Qty.	Description
1	03938951	1	Weldment, PTO Idler Arm
2	06400011	1	Washer, Flat .531 x 3.00 x .25
3	05435800	2	Bearing 1.00 x 1.12 x .75
4	01581700	2	Bushing, Spacer .505/.500 x .999/.996 x 2.05/2.03
5	06436400	1	Washer, Flat Steel .511 x 1.44 x .125
6	05964100	1	Bolt, Hex .50-13 x 5.50
7	06543600	1	Nut, Locking Top Flange .50-13
8	07300039	1	Idler, Flat .38 x 4.00 x 1.06
9	05961400	1	Bolt, Hex .38-16 x 2.75
10	06542000	4	Nut, Locking Top Flange .38-16
11	06400006	1	Washer, Flat Steel .406 x 1.50 x .245
12	05501003	1	Spacer, .437 x 1.00 x 1.23
13	07300528	1	Idler, 4.00 x .38
14	05957800	3	Bolt, Hex .38-16 x 3.00
15	06534900	2	Nut, Flange .375-16
16	01286751	1	Bracket, Idler Brace
17	06442400	2	Washer, Flat Steel .406 x 1.375 x .135
18	06530400	2	Nut, Spin-Lock Flange .312-18
19	05948000	2	Bolt, Hex .31-18 x 3.50
20	08200620	1	Engine, Briggs & Stratton, 14.5Hp
21	07414100	3	Screw, Hex Washer Head Tapping .38-16 x 1.00 (Torque = 374 – 562 lbf-in (42.26 – 63.5 Nm))
22	06435700	3	Washer, Flat Steel .38 x .875 x .083
23	05957400	1	Bolt, Hex .31-18 x 1.75
24	06529800	2	Nut, Locking Center .31-18
25	07332500	1	Pulley, Deck Drive
26	06309300	1	Washer, Locking .44 x .109
27	05900036	1	Bolt, Hex .44-20 x 2.50 (Torque = 394 – 590 lbf-in (44.52 – 66.66 Nm))
28	06603400	1	Key, Square .25 x 1.25 x .25
29	06100206	1	Screw, 8-16 x .87 Pan Head 3-Lobe (Use to attach 03276500 Engine Guard – Not Shown)
30	04191900		Tank, Fuel
31	03985851	1	Bracket, Gas Tank Mount
32	03988500	1	Pad, Gas Tank
33	03943600	1	Drain, Oil
34	04457700	1	Assembly, Brake Pad
35	04238500		Fuel Cap
36	03798300	1	Assembly, Pickup, Fuel 6.5L
37	07500206	3	Bushing, Flange .375 x 1.062 x .625
38	07411500	4	Screw, Tapping .31-18 x .50 Hex Washer Head
39	09250700	1	Washer, Wave 1.09 x 1.37 x .016
40	06219900	2	Bolt, Round Head Square Neck .25-20 x .75 Grade 5
41	06543500	2	Nut, Locking-Top-Flange .25-20
42	04400000	1	Tank, Fuel Expansion
43	04382700	2	Fitting, Straight Fuel Plastic
44	03278100	21"	Fuel Line
45	06939100	4	Hose Clamp
46	04082700	1	Grommet, Remote Vent
47	04246000	1	Vent, Roll-Over
48	03278100	28"	Fuel Line
49	04097000	1	Adapter
50	03375900	4.5"	3/16 ID Fuel Line
51	04097700	2	Hose Clamps
52	08334900	1	Spring, Engine

TRANSMISSION AND DRIVE

Model 911412



PM0030_A_TRANSDRIVE

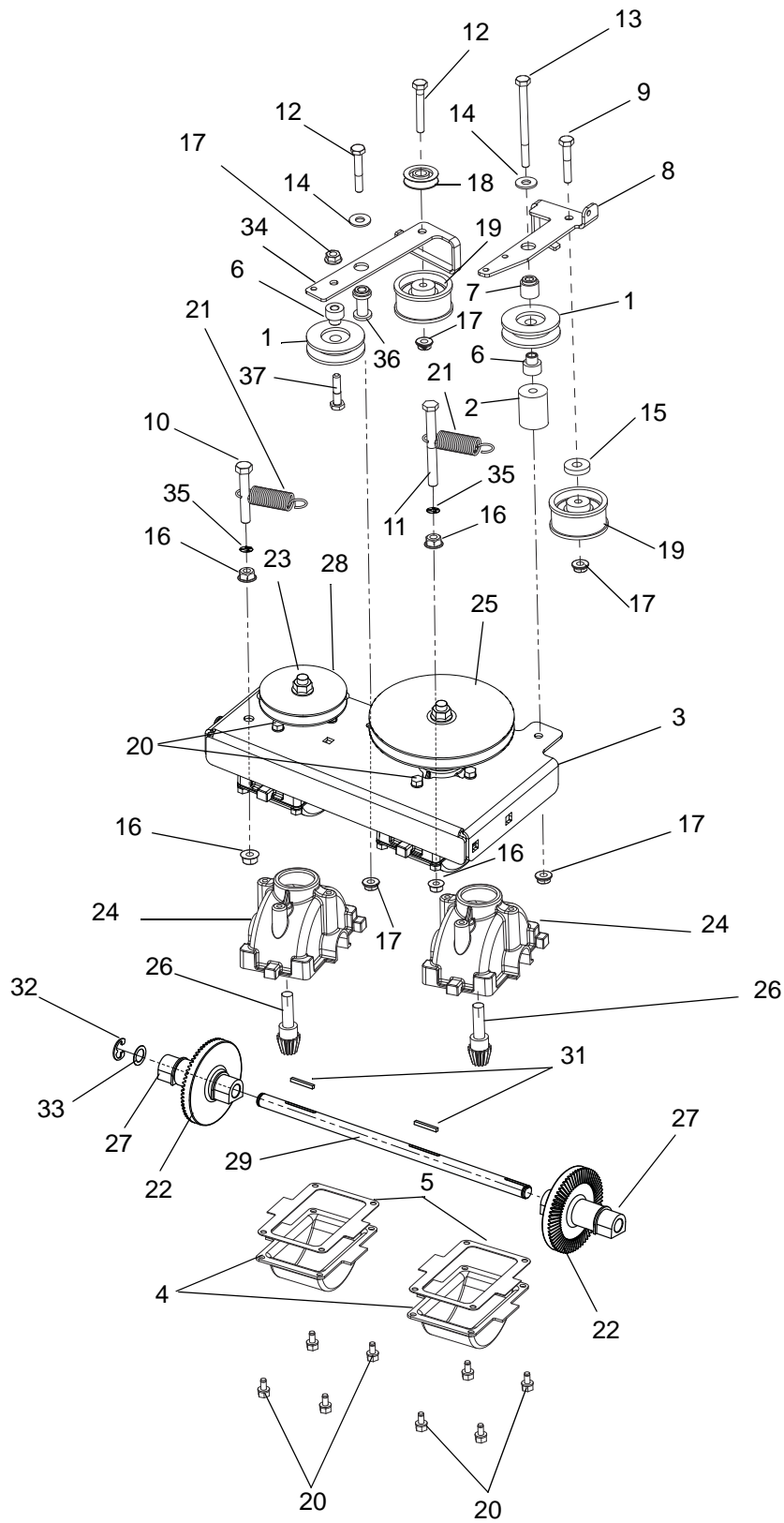
TRANSMISSION AND DRIVE

Model 911412

Item	Part No.	Qty.	Description
1	51115300	1	Kit, WAW Transmission
2	06215700	3	Bolt, Round Head, Square Neck .31-18 x .75
3	06543100	3	Nut, Locking Top Flange .31-18
4	05480000	1	Bearing, Sealed Ball .50 1.38 x .438
5	00275100	2	Bushing, Rake Shaft 1"
6	07412000	6	Screw, Tapping Hex Washer Head .25-20 x .50
7	05500030	2	Bushing, Flange Split 1.0"
8	51113100	1	Kit, Differential
9	06400827	1	Washer, Flat Nylon 1.42 x 2.03 x .35
10	03264700	1	Shaft, Axle Long
11	03264800	1	Shaft, Axle Short
12	05500827	1	Spacer 1.0 x 1.5 x 1.57
13	05500023	2	Bushing, Sleeve .706 x .764 x .75
14	06436300	2	Washer, Flat Steel 1.0 x 1.50 x .062
15	05700001	2	Clip, Snap .625 Diameter
16	06600002	2	Key, Rectifier .25 x .188 x 1.00
17	01247400	1	Pinion, Transmission Drive
18	05710200	1	Ring, External Retaining .500 x .042
19	06400015	1	Washer, Thrust .500 x .020
20	01254800	1	Retainer, Bearing
21	01288000	1	Belt Finger
22	04273551	1	Guide, Vertical Belt

TRANSMISSION

Model 911412



PM0035A_A_transmission

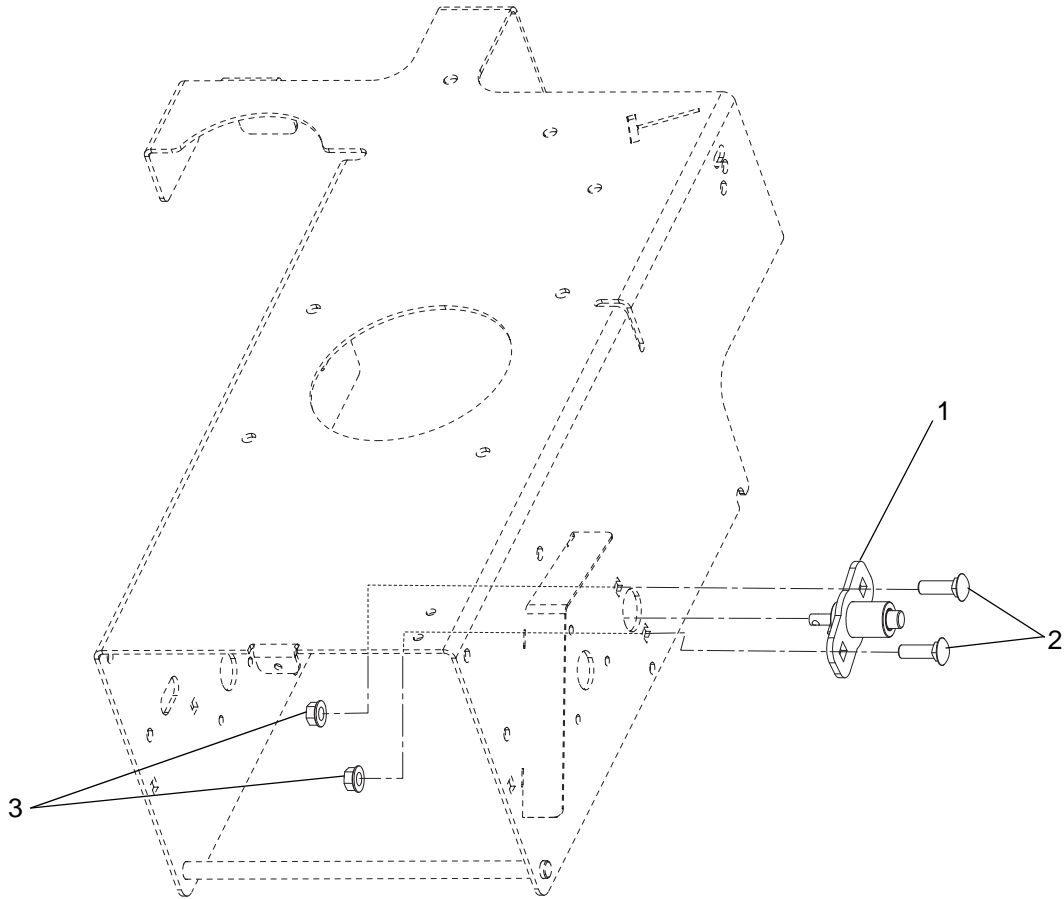
TRANSMISSION

Model 911412

Item	Part No.	Qty.	Description
1	00444400	2	Idler, 3L Front Side .38 x 1.875
2	01247300	1	Spacer, Reverse Idler
3	04288700	1	Plate, Transmission Mount
4	01255251	2	Sump, Gearbox
5	01256400	2	Gasket, Transmission
6	01258900	2	Spacer, Idler Pulley
7	01259000	1	Spacer .390 x .75 x .189
8	03279300	1	Bracket, Transmission Idler Arm
9	05952500	1	Bolt, Hex .25-20 x 1.50
10	05952600	1	Bolt, Hex .31-18 x 2.50
11	05948000	1	Bolt, Hex .31-18 x 3.50
12	05964700	2	Bolt, Hex .25-20 x 1.75
13	05965300	1	Bolt, Hex .25-20 x 3.25
14	06435800	2	Washer, Flat Steel .312 x .734 x .065
15	06439100	1	Washer, Flat Steel .38 x .87 x .179
16	06530400	4	Nut, Spin Lock Flange .312-18
17	06543500	4	Nut, Locking Top Flange .25-20
18	07300012	1	Pulley, Cable
19	07300435	2	Pulley, Idler .25 x 1.87 x .97
20	07400033	14	Screw, Tapping 10-24 x .375 Pre-Coat
21	08300435	2	Spring, Tension .063 x .625 x 2.50
22	01290400	2	Gear, Bevel
23	06542000	2	Nut, Top-Locking Flange .38-16
24	01255000	2	Housing, WAW Gearbox
25	01247500	1	Pulley, Reverse Input
26	01255500	2	Pinion, Gearbox Input
27	01255300	4	Bushing, Transmission Output Shaft
28	01326500	1	Pulley, Transmission Input
29	03294200	1	Shaft, Transmission Output
30	51113600	NS	Kit, WAW Transmission Shaft (includes 30, 32, 33 and 34)
31	06600211	2	Key, 1/8 x 1/8 x 1.0
32	05710200	1	Ring, Retaining – External .500 x .042
33	06400015	1	Washer, .500 x .750 x .020 Thrust
34	04273600	1	Arm, Double Acting Idler
35	06514900	2	Nut, Push .312
36	04288800	1	Pivot, Idler
37	05947400	1	Bolt, Hex .25-20 x 1.25

BRAKE

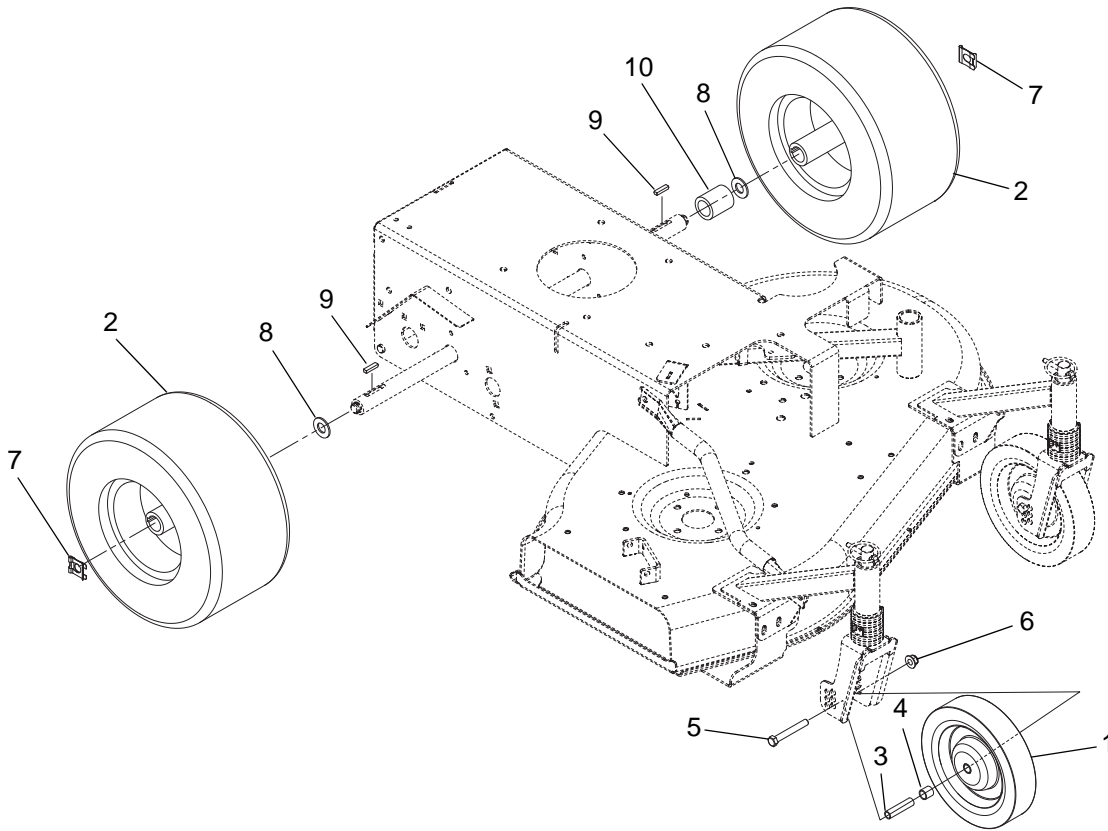
Model 911412



Item	Part No.	Qty.	Description
1	51113200	1	Kit, Pin Brake
2	06224100	2	Bolt, Round Head Square Neck .38-16 x 1.25
3	06534900	2	Nut, Flange .375-16

WHEELS

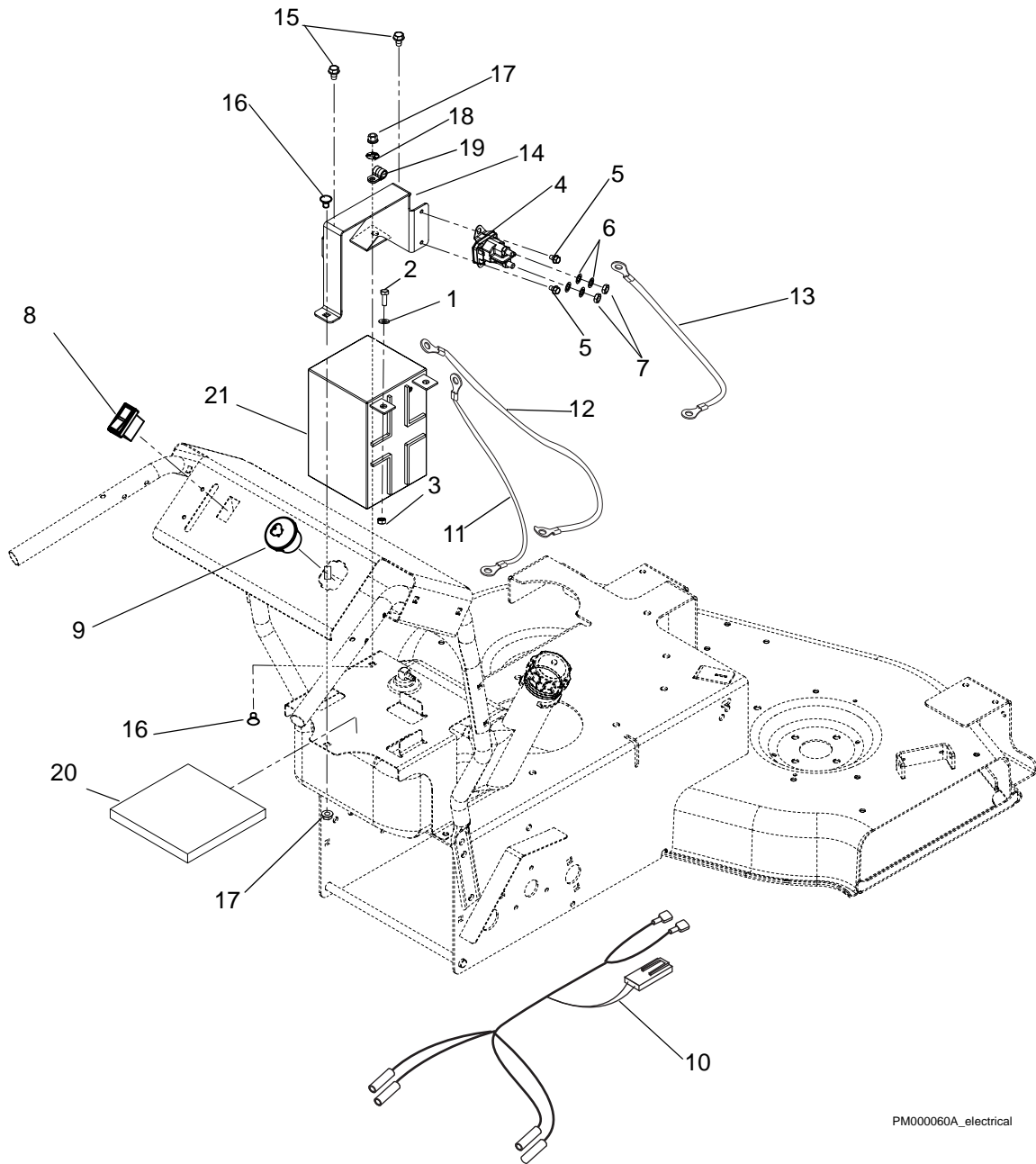
Model 911412



Item	Part No.	Qty.	Description
1	07100823	2	Wheel, 8.0 x 1.75 x .50 - Ball Bearing
2	07100730	2	Assembly, Tire/Wheel 6 x 13
3	05533500	2	Spacer, Wheel
4	03272100	2	Spacer, Wheel
5	05961400	2	Bolt, Hex .38-16 x 2.75
6	06545500	2	Nut, Nyloc Flange .38-16
7	05700001	2	Clip, Snap .625 Diameter
8	06442800	2	Washer, Flat Steel .656 x 1.31 x .095
9	06600002	2	Key, Rectifier .25 x .188 x 1.00
10	05500827	1	Spacer 1.0 x 1.5 x 1.57

ELECTRICAL

Model 911412



PM000060A_electrical

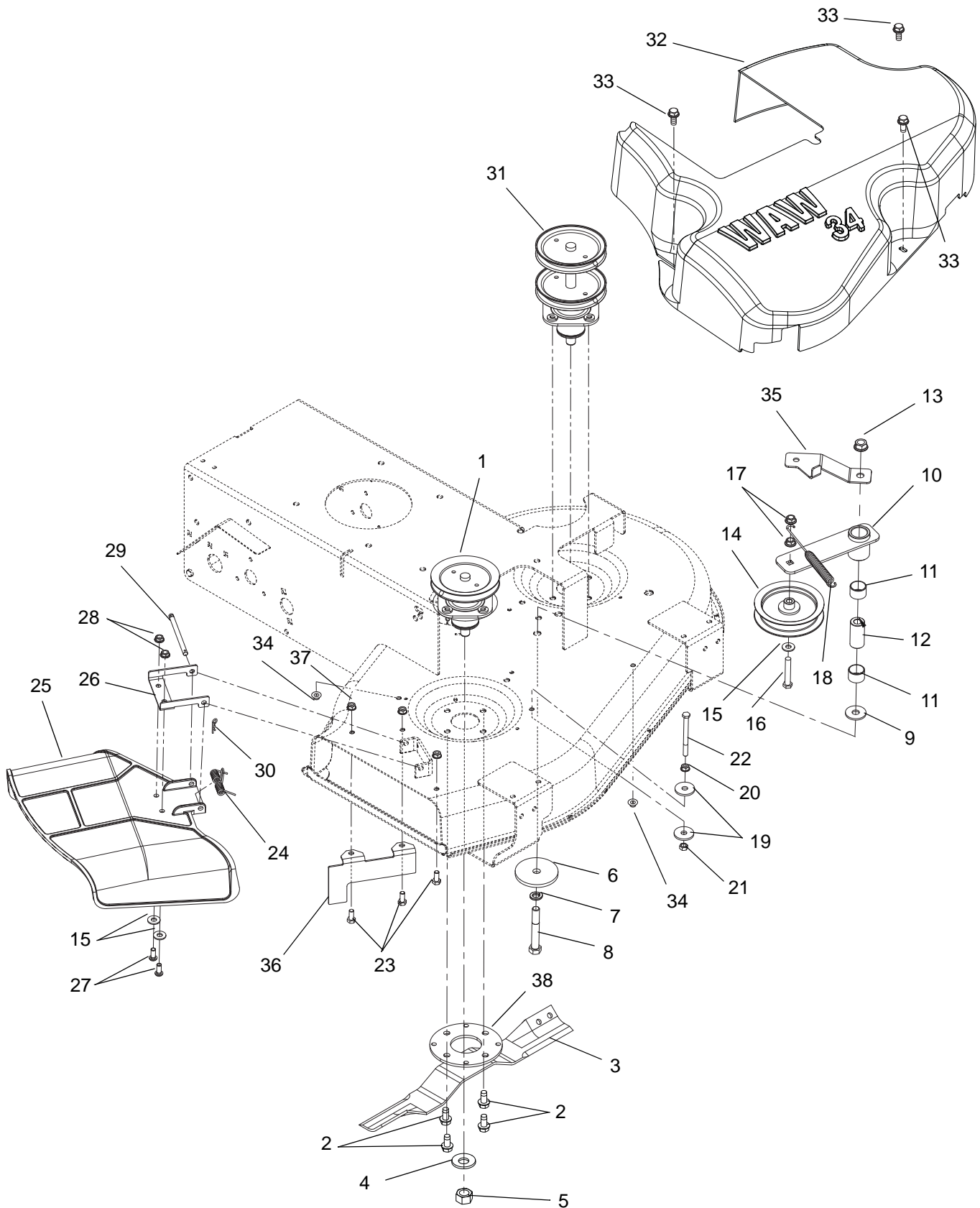
ELECTRICAL

Model 911412

Item	Part No.	Qty.	Description
1	06437300	2	Washer, Flat Steel .281 x .62 x .065
2	05946800	2	Bolt, Hex .25-20 x .75
3	06509200	2	Nut, KEPS .250-20
4	03679000	1	Solenoid
5	07411600	2	Screw, Tapping Hex Washer Head .250-20 x .37
6	06310500	4	Washer, Internal Lock .31
7	06536700	2	Nut, Jam .31-24
8	03272600	1	Switch, Rocker
9	03290500	1	Keyswitch, Ignition 3 P with Key
	03292700	AR	Replacement Key
10	03372600	1	Harness, Wiring
11	04508200	1	Assembly, POS Battery 6.75"
12	04249900	1	Cable, Negative 26" 6 GA.
13	00187500	1	Cable, Positive Battery 18.50"
14	03986051	1	Bracket, Battery Mount
15	07411500	2	Screw, Tapping .31-18 x .50 Hex Washer Head
16	06222000	2	Bolt, Round Head Square Neck .31-18 x .50 Grade 5
17	06543100	2	Nut, Locking-Top-Flange .31-18
18	06514900	1	Nut, Push .312
19	06908200	1	Clamp, Cushioned Steel
20	04504000	1	Battery Mat
21	04382200	1	Battery, 12V 190CCA (Can be replaced with U1. See Owners manual.)

DECK

Model 911412



PM0050A_deck_gravely

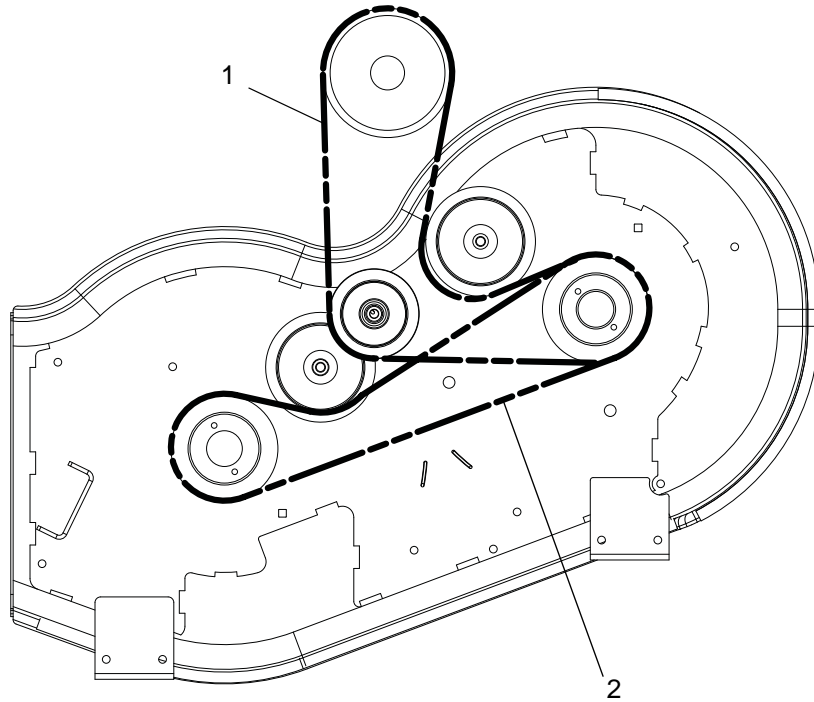
DECK

Model 911412

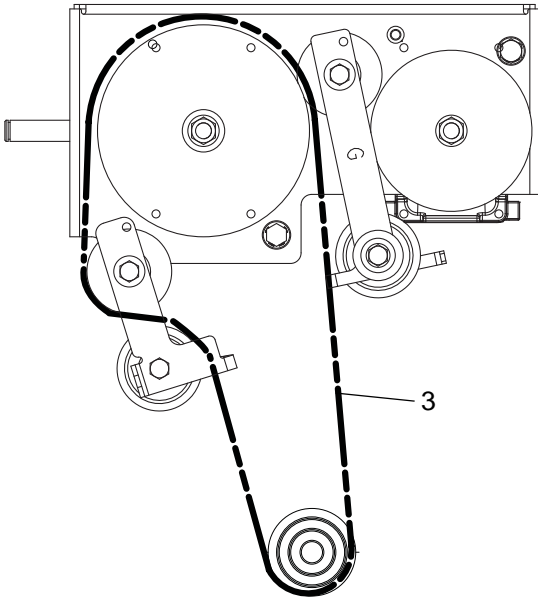
Item	Part No.	Qty.	Description
1	51519500	1	Kit, Deck Spindle Assembly (34/50)
2	07415400	8	Screw, Tapping .38-16 x .75 Hex Washer Head (Torque = 324 – 420 lbf-in (36.61 – 47.45 Nm))
3	03746500	2	Blade-17.2" x .156
4	06445700	2	Washer, Bellville .63 x 1.62 x .14
5	06500630	2	Nut, Hex .62-18 (Torque = 100 – 120 lbf-ft (135.6 – 162.7 Nm))
6	06400011	1	Washer, Flat .531 x 3.00 x .25
7	06307300	1	Washer, Locking .50 x .125
8	05965800	1	Bolt, Hex .50-13 x 3.50
9	06436400	1	Washer, Flat Steel .511 x 1.44 x .125
10	01248251	1	Arm, WAW Deck Idler
11	05435800	2	Bearing 1.00 x 1.12 x .75
12	01581700	1	Bushing, Spacer .505/.500 x .999/.996 x 2.05/2.03
13	06543600	1	Nut, Locking Top Flange .50-13
14	07300039	1	Idler, Flat .38 x 4.00 x 1.06
15	06435700	3	Washer, Flat Steel .38 x .875 x .083
16	05962900	1	Bolt, Hex .38-16 x 2.25
17	06534800	2	Nut, Locking Flange .375-16
18	08334900	1	Spring, Engine-Transmission
19	06442400	2	Washer, Flat Steel .406 x 1.375 x .135
20	06530400	3	Nut, Spin Lock Flange .312-18
21	06529800	1	Nut, Locking Center .31-18
22	05948000	1	Bolt, Hex .31-18 x 3.50
23	05947000	2	Bolt, Hex .31-18 x .75
24	01258100	1	Spring, Torsion
25	03994300	1	Chute, Side Discharge
26	00662651	1	Reinforcement, Chute
27	05920900	2	Screw, Socket Head .31-18 x .75 Button Head
28	06543100	2	Nut, Locking Top Flange .31-18
29	06800002	1	Pin, .3125 x 3.88
30	06713500	1	Pin, Internal Hair .08 x .18 x 1.18
31	51112300	1	Kit, WAW Deck Input Pulley
32	01246900	1	Cover, Belt
33	07415400	3	Screw, Tapping .38-16 x .75 Hex Washer Head Thread Rolling
34	00548400	3	Retainer, .38 Push-On
35	01286751	1	Bracket, Idler Brace
36	03779200	1	Bracket, Baffle, Discharge 34"
37	06545400	2	Nut, Locking-Nylon-Flange .31-18
38	03839051	2	Plate, Reinforce, Spindle

BELT DIAGRAMS

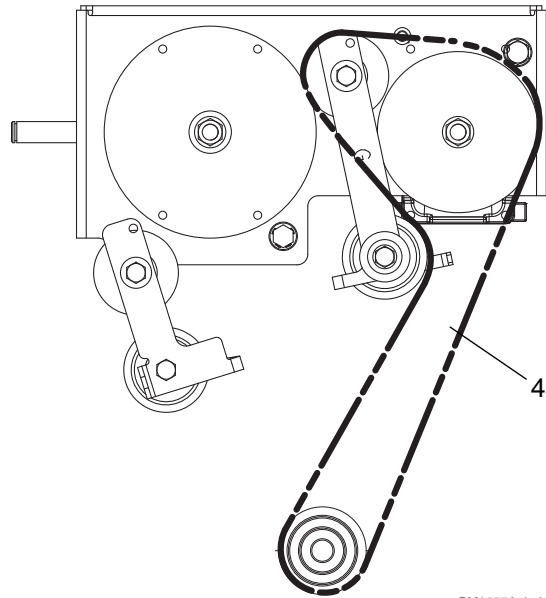
Model 911412



REVERSE BELT ROUTING



FORWARD BELT ROUTING



PM0055A_belts

Item	Part No.	Qty	Description
1	07200610	1	Belt, HA Wrapped
2	07234300	1	Belt, HA 51.20 Wrapped
3	07200506	1	Belt, 3L Clutching Cover
4	07200529	1	Belt, 3L Clutching Cover



Ariens
655 West Ryan Street
Brillion, WI 54110
920-756-4688
Fax 920-756-2407
www.ariens.com

An *Ariens* Company Brand