



Razor

Parts Manual



Models

911173 – LMP
(SN 020405+)

911175 – LMSP
(SN 021564+)

911179 – LMSPE
(SN 020626+)

911181 – LMSP
(SN 020743+)



The use of any gasoline exceeding 10% ethanol (E10) or 10% MTBE will void the product warranty.
L'utilisation d'une essence contenant plus de 10% d'éthanol (E10) ou de 10% de MTBE annule la garantie.
El uso de cualquier otro tipo de gasolina con un porcentaje superior al 10% de etanol (E10) o al 10% de MTBE invalidará la garantía del producto.

THE MANUAL

Before you operate your unit, carefully and completely read manuals supplied with the unit. The contents will provide you with an understanding of safety instructions and controls during normal operation and maintenance.

For your safety and the safety of others always read, understand, and follow all DANGER, WARNING, and CAUTION messages found in manuals and on safety decals.

Hardware descriptions are given in decimals.

Decimals to Fractions			
.063	1/16	.563	9/16
.125	1/8	.625	5/8
.188	3/16	.688	11/16
.250	1/4	.750	3/4
.313	5/16	.813	13/16
.375	3/8	.875	7/8
.438	7/16	.938	15/16
.500	1/2	1.00	1

SERVICE AND REPLACEMENT PARTS

When ordering replacement parts or making service inquiries, know the Model and Serial numbers of your unit and engine.

Numbers are located on the product registration card in the unit literature package. They are printed on a serial number label, located on the frame of your unit.

• Record Unit Model and Serial numbers here:

• Record Engine Model and Serial numbers here:

UNAUTHORIZED REPLACEMENT PARTS

Use only Ariens replacement parts. The replacement of any part on this vehicle with anything other than an Ariens authorized replacement part may adversely affect the performance, durability, or safety of this unit and may void the warranty. Gravelly disclaims liability for any claims or damages, whether warranty, property damage, personal injury or death arising out of the use of unauthorized replacement parts.

PRODUCT REGISTRATION

The Ariens dealer must register the product at the time of purchase. Registering the product will help the company process warranty claims or contact you with the latest service information. All claims meeting requirements during the limited warranty period will be honored, whether or not the product registration card is returned. Keep a proof of purchase if you do not register your unit.

Customer Note: If Dealer does not register your product, please fill out, sign and return the product registration card to Ariens or go to www.ariens.com.

YOUR SATISFACTION IS IMPORTANT

Questions? Please follow these helpful steps:

1. Refer to the manuals supplied with your unit.
They will guide you through safe and proper operation and maintenance.
They contain specifications on your unit.
If your questions are not answered in these manuals, go to step number two.
2. Contact Your Dealer.
Our dealers will be happy to supply any service or advice required to keep your unit operating at peak efficiency.
A factory trained staff is available to support your equipment needs. They stock genuine Ariens parts and lubricants manufactured with the same precision and skill as the original.
If your questions are not resolved by the support staff, ask for the manager or owner.
When contacting your Dealer supply your model and serial numbers.

TO SPEED PARTS ORDERING:

1. Know the model and serial numbers of your unit.
2. Know the part number required.
3. Know the quantity required.
4. Know the part description.

MODELS

Model 911173 (Razor)

4 Cycle, Ariens, 6hp
Recoil, Push
Serial No. 020405 and up

Model 911175 (Razor)

4 Cycle, Ariens, 6hp
Recoil, Self Propelled
Serial No. 021564 and up

Model 911179 (Razor)

4 Cycle, Ariens, 6hp
Electric/Recoil, Self Propelled
Serial No. 020626 and up

Model 911181 (Razor)

4 Cycle, Ariens, 6hp
Recoil, Self Propelled
Serial No. 020743 and up

TABLE OF CONTENTS

DECALS

Decals 4

MAIN FRAME

Handlebar and Controls 6

Mower Deck and Bagger 8

WHEELS, TRANSMISSION & ENGINE

Wheels 9

Transmission and Height of Cut 10

Engine and Blade 11

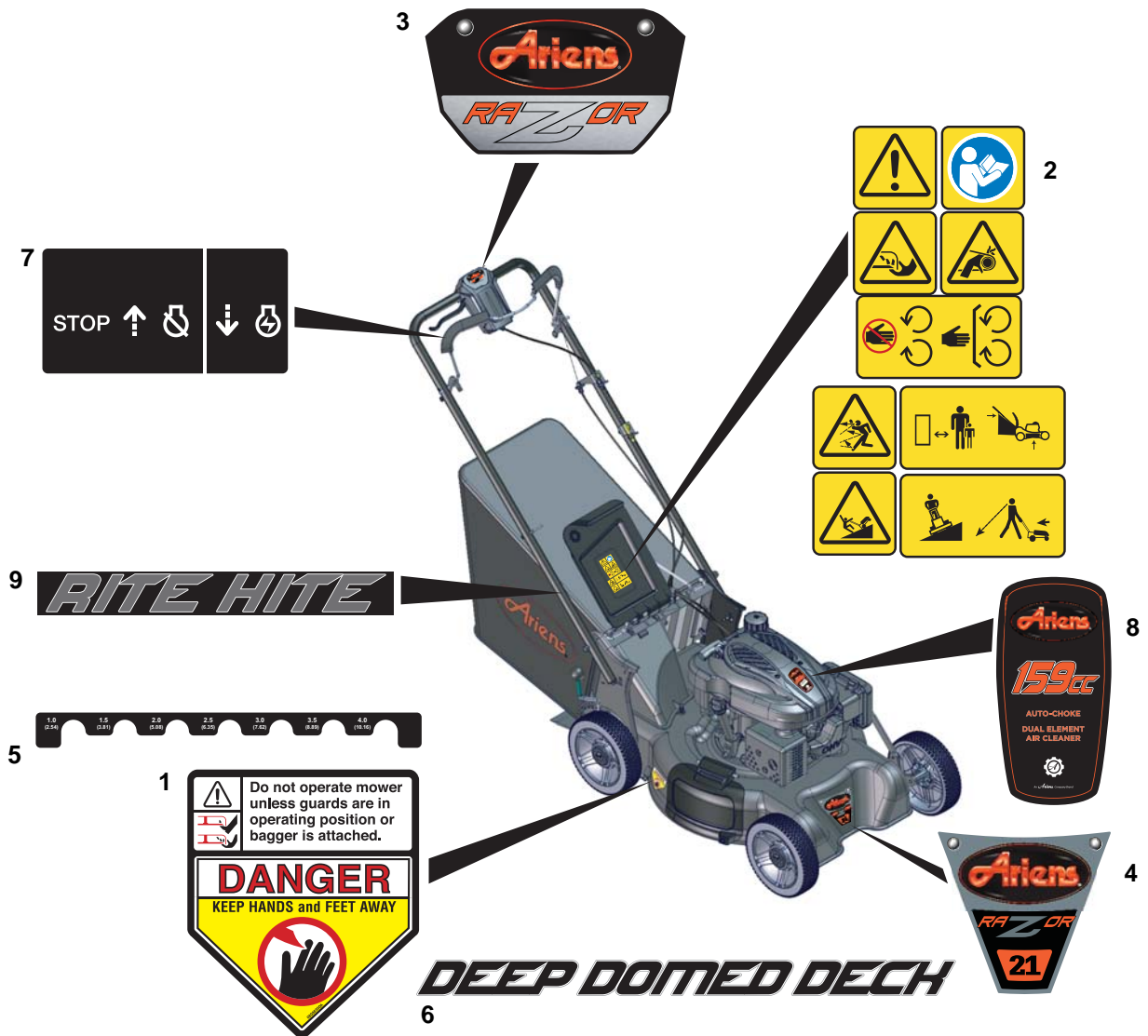
Engine Kit Components 12

ELECTRICAL

Electrical Components 15

DECALS

Model All

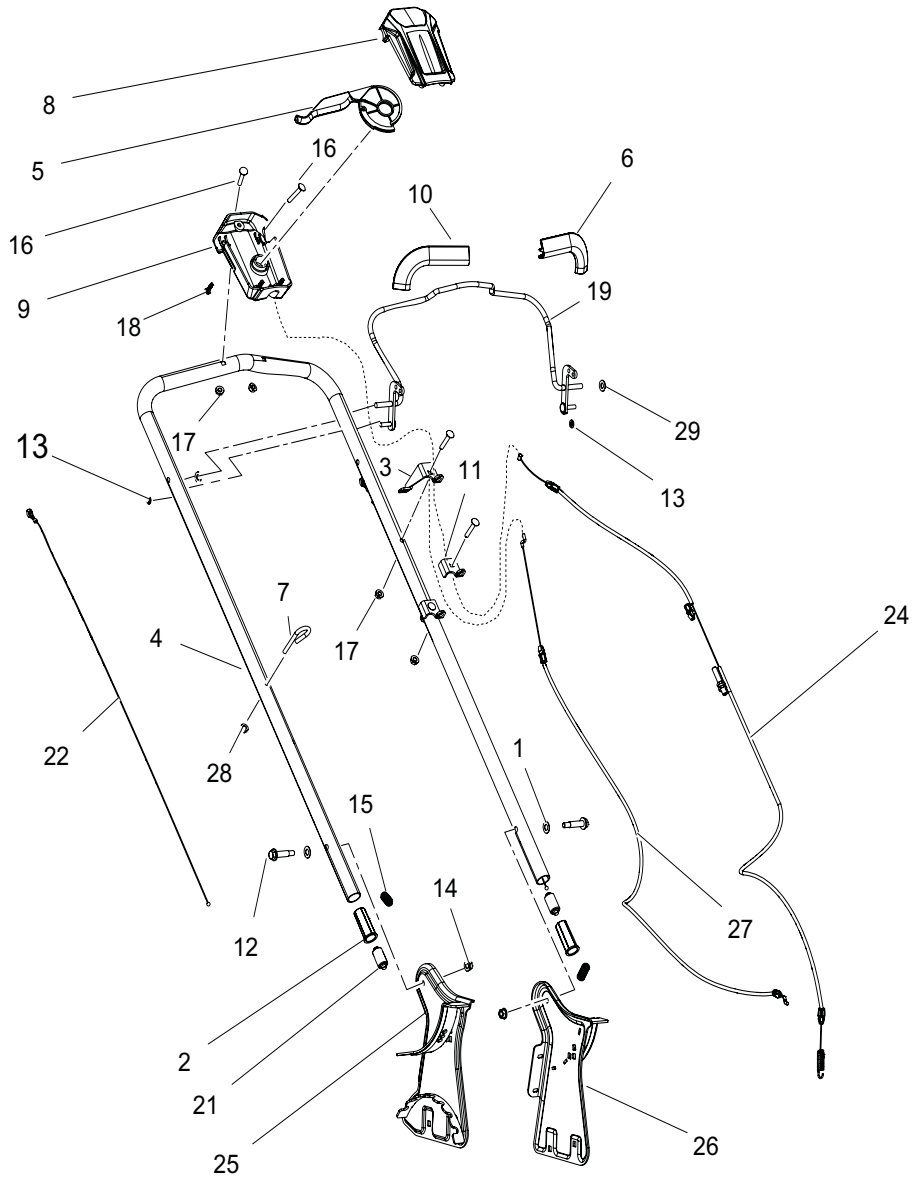


Item	Part No.	Qty.	Description
1	08088300	1	Decal, Danger
2	07800404	1	Decal, Main Safety
3	07800424	1	Decal, Ariens Razor Small (911175, 179, 181)
4	07800418	1	Decal, Ariens Style
5	07800413	1	Decal, HOC (Height of Cut)
6	07800415	1	Decal, Deep Dome Deck
7	07761700	1	Decal, Engine Control (911173, 175, 179, 181)
8	07800420	1	Decal, Engine Style
9	07800422	1	Decal, Rite Hite (911175, 179, 181)

NOTES

HANDLEBAR AND CONTROLS

Model 911175, 179, 181

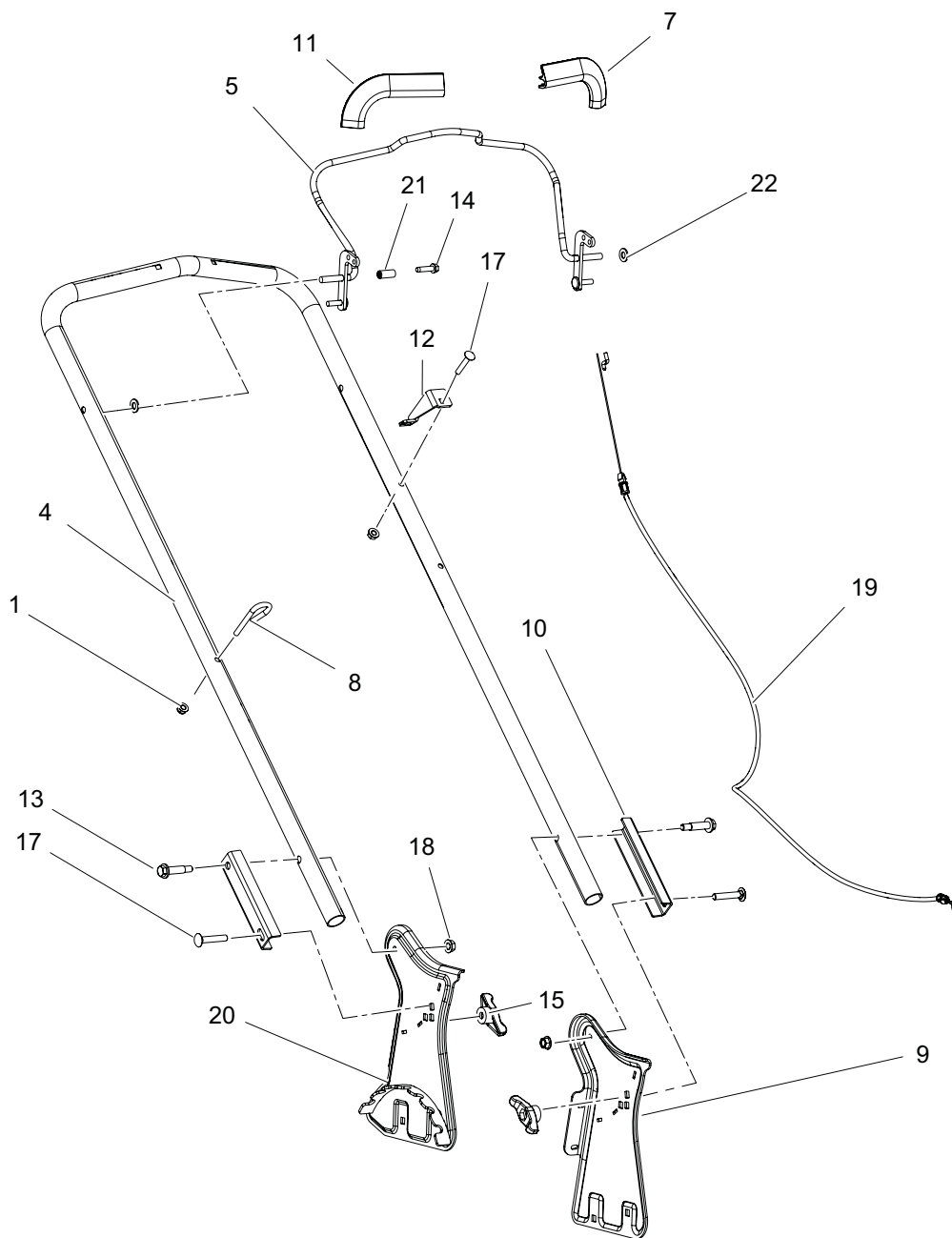


BOM ID	Number	Qty	Description
1	06400840	2	WSHR-FL-STL .385x.745x.030 YWZC
2	04528600	2	HANDLEBAR ADJUSTMENT INSERT
3	04533651	1	BRKT, CABLE ANCHOR
4	04535351	1	HANDLEBAR
5	04535400	1	HANDLE, DRIVE CONTROL
6	04535600	1	GUARD, FINGER - LH
7	04535767	1	GUIDE, RECOIL ROPE
8	04549000	1	HOUSING, UPPER DRIVE CONTROL
9	04549100	1	FRONT, SQUEEZE BOX
10	04551100	1	GUARD, FINGER - RH
11	04575351	1	BRKT, CABLE - DRIVE
12	07001709	2	BLT, SHLDR .50 X 1.30 X .38-16
13	07027600	2	PUSH-NUT 1/4
14	06543100	2	NUT-HEX TOP LOCK FLANGE

BOM ID	Number	Qty	Description
15	08300028	2	SPRG, COMPRESSION
16	06222300	4	BLT-RDHDSQNK .25-20 X 1.50
17	06543500	5	NUT-HEX TOP LOCK FLANGE
18	07400101	3	SCR-TAP #12-14X.75 PLASTITE BLZC
19	04535559	1	BAIL, OPC
21	04521400	2	PIN, LM HANDLEBAR LOCKING
22	06900528	1	ADJUSTABLE HANDLEBAR CABLE
24	06900535	1	CABLE, DRIVE CONTROL
25	04516351	1	WLDMT, RH SIDE PLATE
26	04516451	1	WLDMT, LH SIDE PLATE
27	06900529	1	OPC CABLE
28	06500012	1	NUT-LK-NYL-FLG .25-20 YWZC
29	06437200	2	@WSHR-FL-STL.344X.688X.065YWZC

HANDLEBAR AND CONTROLS

Model 911173

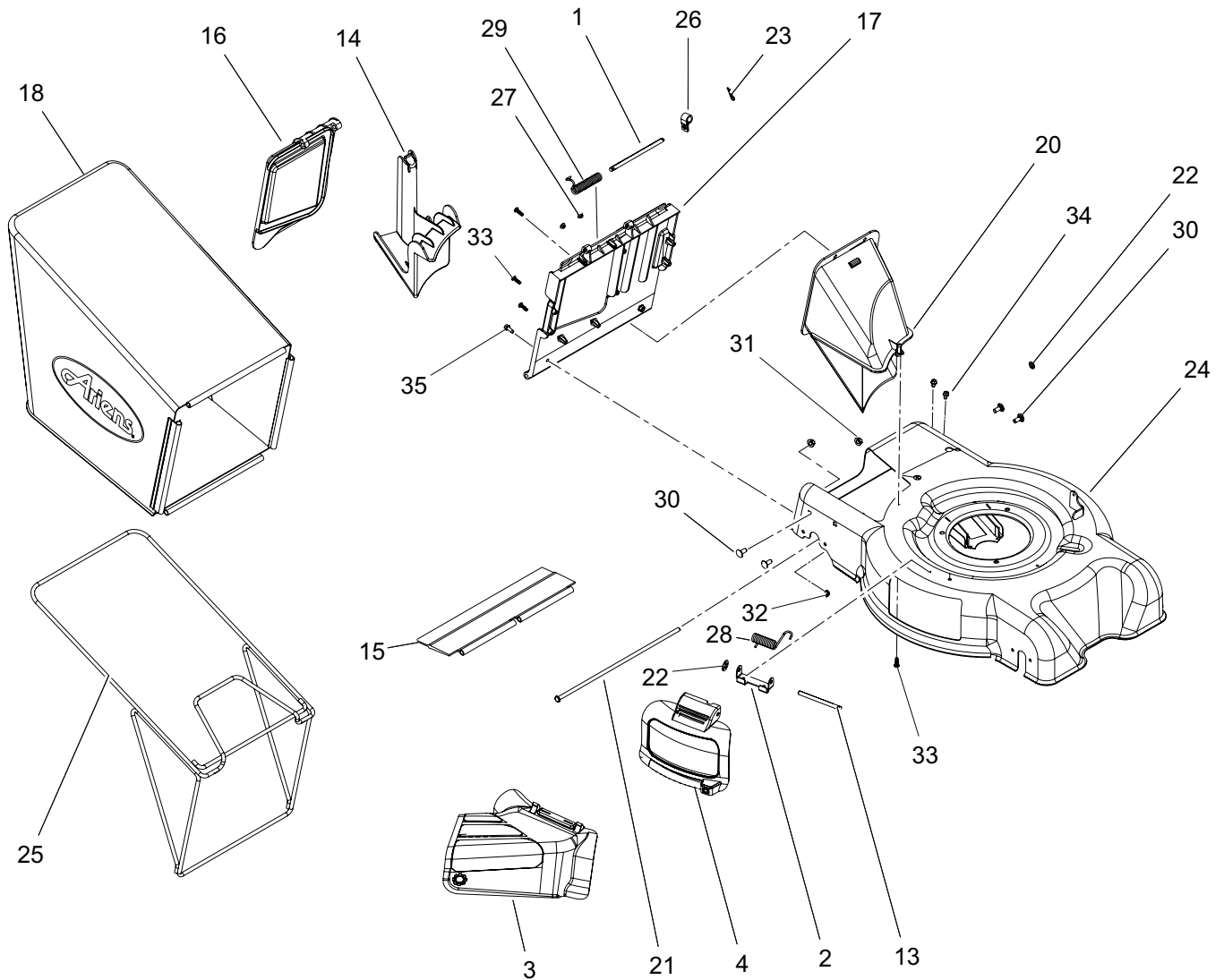


BOM ID	Number	Qty	Description
1	06543500	1	NUT-LK-NYL-FLG .25-20 YWZC
4	04535351	1	HANDLEBAR
5	04535559	1	BAIL, ENGINE
7	04535600	1	GUARD, FINGER - LH
8	04535767	1	GUIDE, RECOIL ROPE
9	04542751	1	SUPPORT, LH HANDLEBAR
10	04545551	2	BRKT, HANDLEBAR FIXED ADJUST
11	04551100	1	GUARD, FINGER - RH
12	04562951	1	BRKT, CABLE ANCHOR - LM PUSH
13	07001709	2	BLT, SHLDR .50 X 1.30 X .38-16 GR5

BOM ID	Number	Qty	Description
14	07412400	1	SCR-TAP .25-20X1.00 HWH TR YZ
15	07500105	2	KNOB, WING .31-18 UNC NYL/TALC
17	06222300	3	BLT-RDHDSQNK-GR5-Y
18	06543500	4	NUT-HEX TOP LOCK FLANGE
19	06900529	1	OPC CABLE
20	04542851	1	WLDMT, RH SIDE PLATE-ARIENS
21	07517000	1	CAP, VINYL
22	06437200	2	@WSHR-FL-STL.344X.688X.065YWZC

MOWER DECK AND BAGGER

Model All

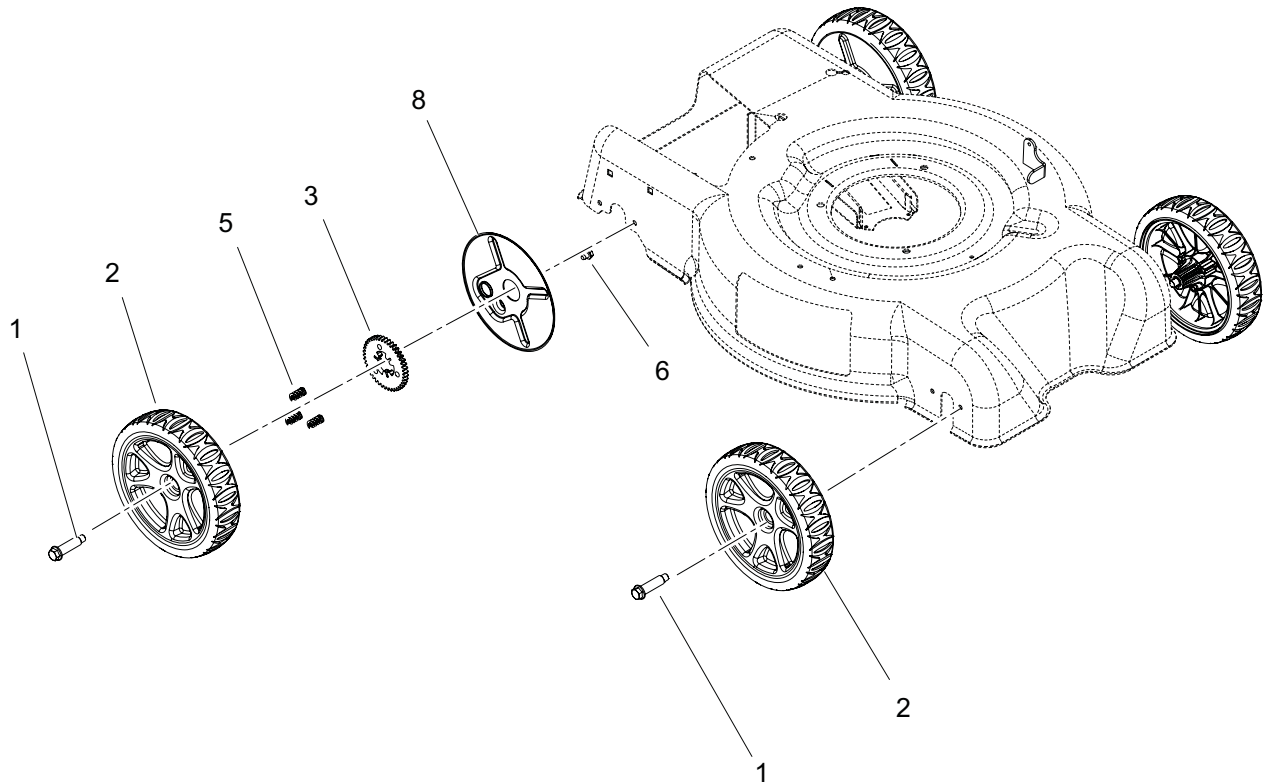


BOM ID	Number	Qty	Description
1	00475800	1	PIN, 5/16 X 5.80"
2	04514651	1	BRKT, HINGE LM
3	04514800	1	CHUTE, SIDE DISCHARGE - LM
4	04514900	1	COVER, SIDE DISCHARGE - LM
13	04534000	1	PIN, SIDE DISCHARGE
14	04534300	1	PLUG, MULCH
15	04534400	1	GUARD, REAR
16	51116800	1	REAR DOOR WITH SAFETY DECAL
17	04534700	1	HANGER, BAG
18	04535900	1	BAGGER, GRASS
20	04547900	1	DOOR, BAGGER
21	04556200	1	ROD, REAR GUARD
22	06514900	2	NUT, PUSH .312
23	06713500	1	PIN, HAIR INT .08X.18X1.18 Y

BOM ID	Number	Qty	Description
24	51116500	1	DECK WITH SAFETY DECAL
25	04520659	1	FRAME, BAGGER
26	06900512	1	CLAMP, LM CABLE
27	07500301	2	PLUG, 5/16 HOLE, .125 MATL PLASTIC
28	08300535	1	SPRG, TORSION
29	08322400	1	SPRG, TORSION
30	06215700	4	BLT-RDHDSQNK .31-18 X .75
31	06543100	4	NUT, LK-TOP-FLG
32	06543500	2	NUT, LK-TOP-FLG
33	07400101	11	SCR-TAP #12-14X.75 PLASTITE BLZC
34	07411600	2	SCR-TAP .25-20 X .50 HWH TR
35	07400103	2	SCR-TAP .25-20X.62 HWH TR YWZ

WHEELS

Model All

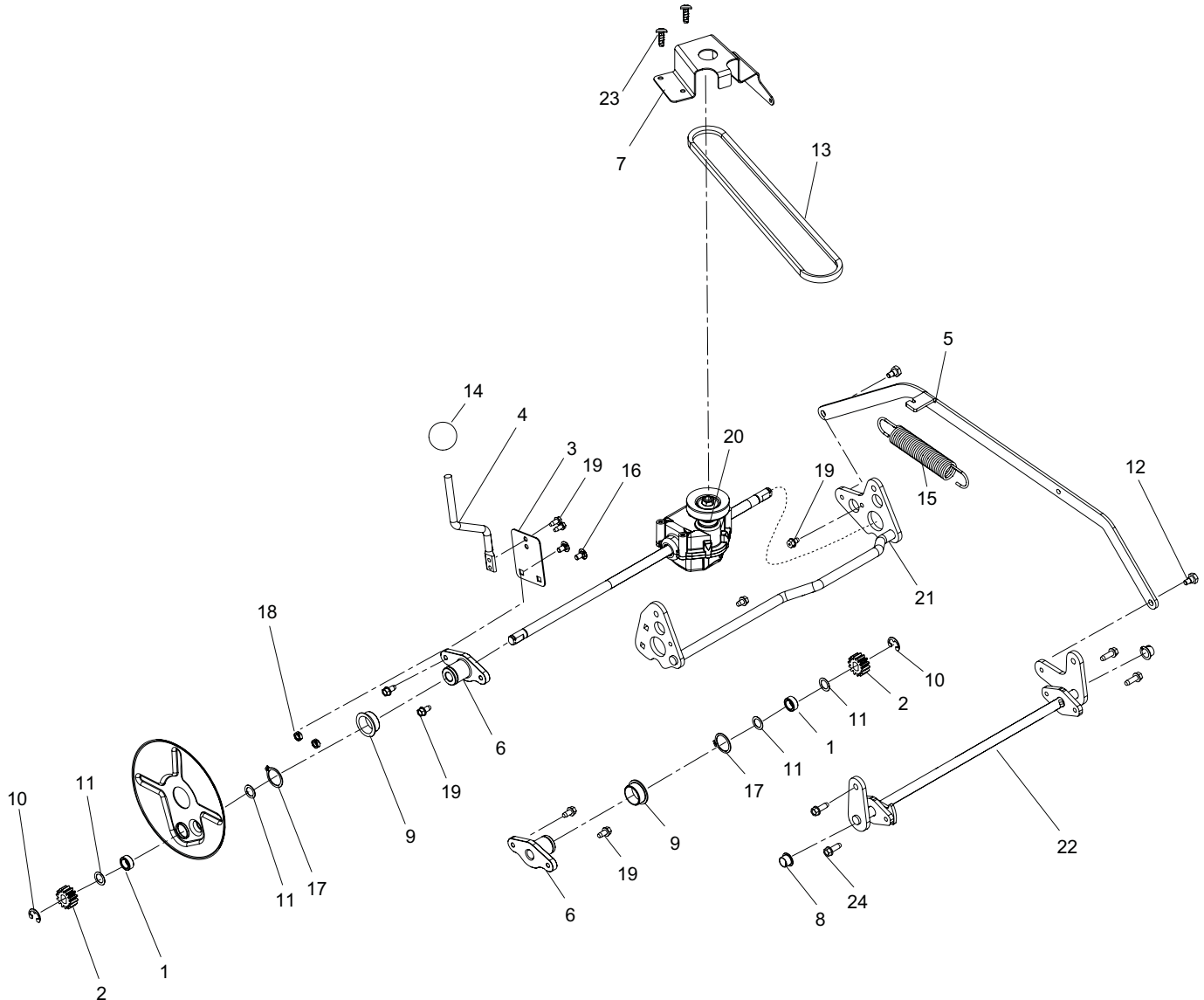


BOM ID	Number	Qty	Description
1	01265100	4	BOLT, SHLDR
2	01266600	4	WHEEL WITH HUB
3	01291000	2	GEAR, WHEEL (911175, 179, 181)
5	07400101	6	SCR-TAP 12-14 X .75 PLSTITE (911175, 179, 181)

BOM ID	Number	Qty	Description
6	07411600	2	SCR-TAP .25-20 X .37 HWH YWZ TR (911175, 179, 181)
8	04580600	2	COVER, WHEEL - ARIENS LM SPECIAL (911175, 179, 181)

TRANSMISSION (911175, 179, 181) AND HEIGHT OF CUT

Model All

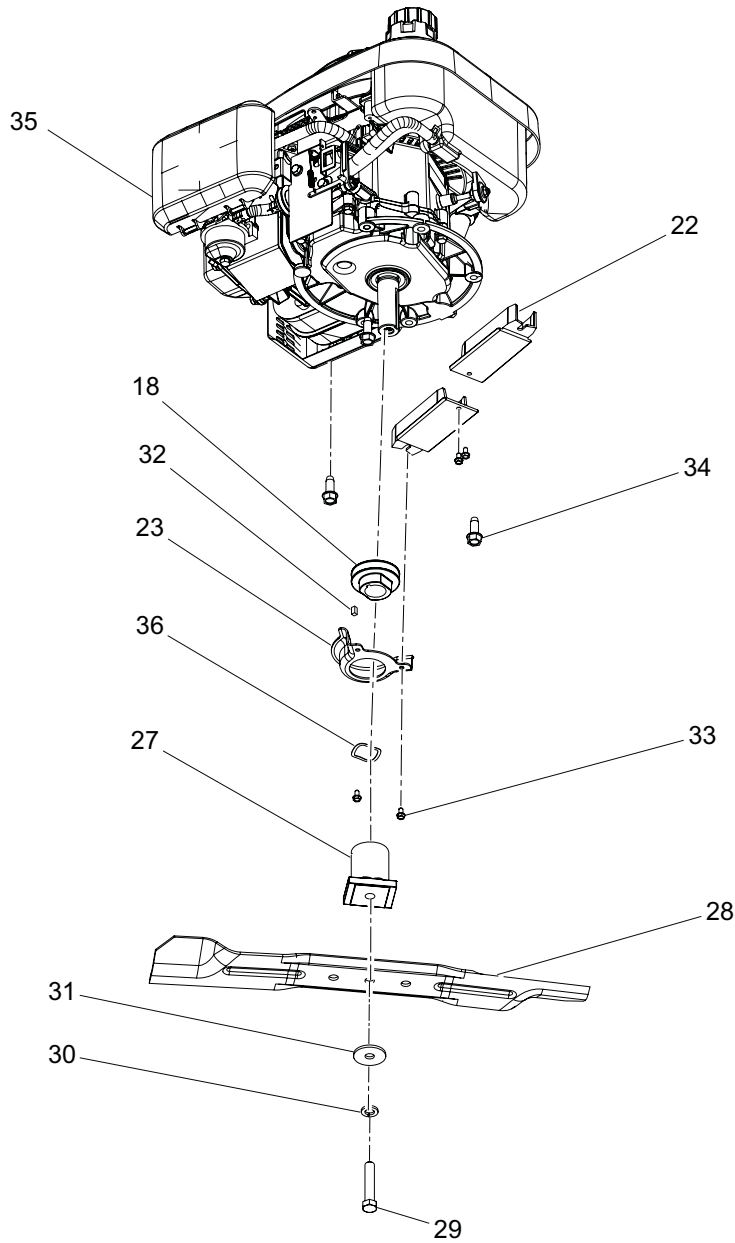


BOM ID	Number	Qty	Description
1	00211100	2	SPCR, PM .500ID X .75OD X .321
2	04507500	2	GEAR, PINION , LM WHEEL DRIVE
3	04513751	1	PLATE, HOC SPRING
4	04516167	1	LEVER, HOC ADJUST
5	04516259	1	LINK, HOC CONNECT
6	04516900	2	HUB, LM REAR AXLE
7	04534951	1	GUIDE, BELT TRANSMISSION
8	05500026	2	BSHG, SPLIT NYLON
9	05501124	2	BSHG, FLANGE 1.0 X 1.125 X .50 X 1.375
10	05710200	2	RG-RTNG-EXT .500 X .042 (E)
11	06400015	4	WASHER-FLAT-STL, .500 X .750 X .020
12	07001708	2	BOLT, SHLDR .320 X .210 X .25-20 SELF-TAPPING

BOM ID	Number	Qty	Description
13	07200633	1	BELT
14	07533500	1	KNOB,BALL -BLACK 1.47" .375-16
15	08316800	1	SPRG, EXTENSION
16	06220600	2	BLT-RDHDSQNK .25-20 X .50
17	05706200	2	RG-RTNG-EXT 1.00 X .042
18	06500635	2	NUT-LK-CTR-JAM .25-20
19	07400034	8	SCR-TAP 0.25 -20 X .50 HWH TR
20	04509200	1	TRANSAXLE, AUTOMATIC, LM
21	04515967	1	WLDMT, LM REAR AXLE
22	04516067	1	WLDMT, LM FRONT AXLE
23	07400112	3	SCR-TAP 10-14 X .75 PLSTITE BLKOX
24	07400111	4	SCR-TAP .25-20X.75 HWH TR YWZ

ENGINE AND BLADE

Model All

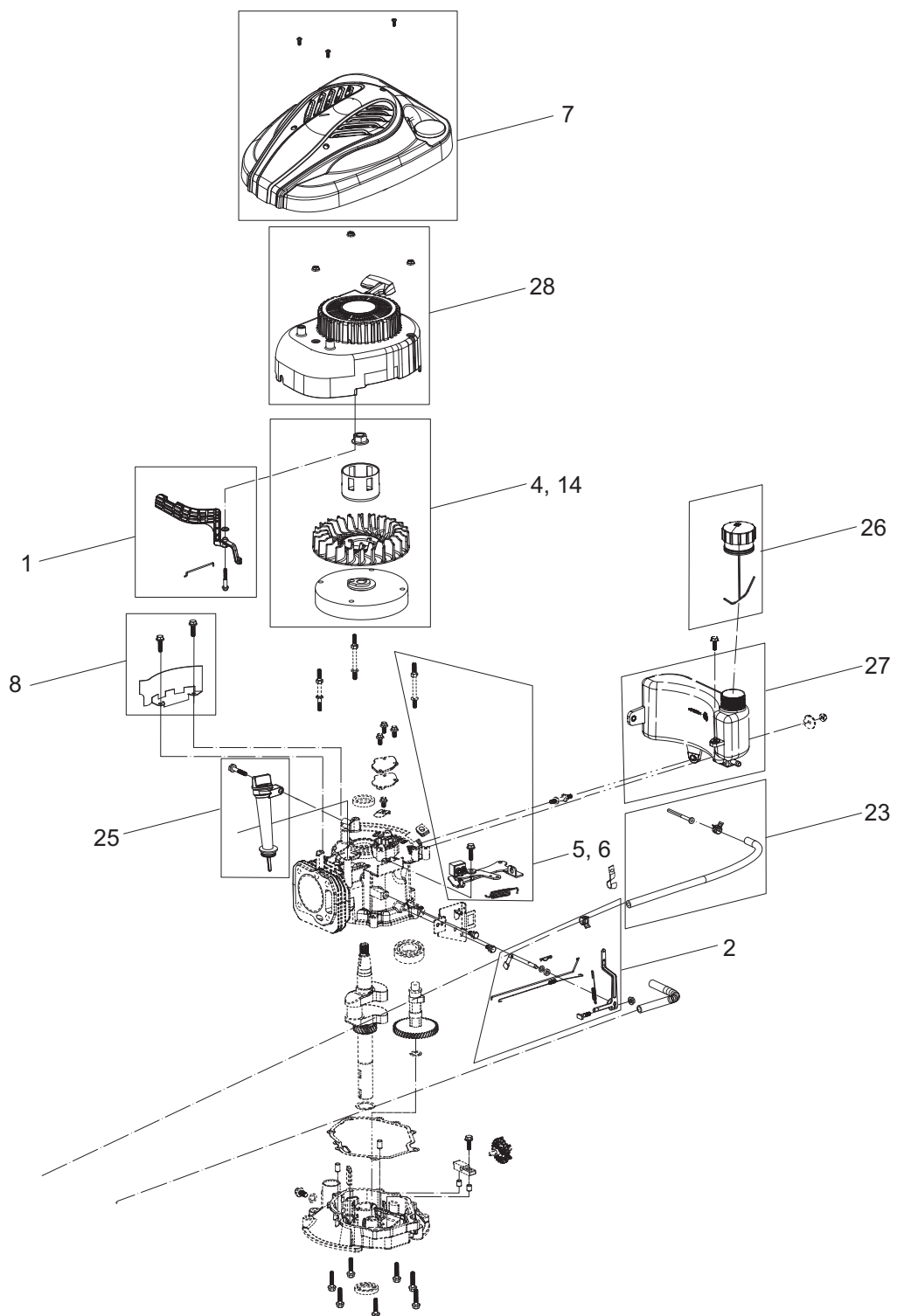


BOM ID	Number	Qty	Description
18	04527000	1	PULLEY, GROUND DRIVE, LM (911175, 179, 181)
22	04533700	2	GUIDE, BELT - INNER
23	04533851	1	GUIDE, BELT CRANKSHAFT (911175, 179, 181)
27	04539400	1	ADAPTOR, BLADE
28	04544400	1	BLADE, MOWER 21" HIGH-LIFT
29	05901515	1	@BLT-HEX .44-20X2.25 GR8 YWZC
30	06309300	1	@WSHR-LK .44X.109 REG YWZC

BOM ID	Number	Qty	Description
31	06400925	1	WSHR-FL-STL .4375X1.50X.125 YWZC
32	06600219	1	KEY-SQ .188X.188X.625 (911175, 179, 181)
33	07400033	4	SCR, TAP 10-24X.375 PRE-COAT 80 (911175, 179, 181)
33	07400033	2	SCR, TAP 10-24X.375 PRE-COAT 80 (911173)
34	07414100	3	SCR-TAP .38-16X1.00 HWH TR YZ
35	21110001	1	ENGINE, SERVICE, AC (911173, 175, 181)
	21110002	1	ENGINE, SERVICE AC, ELEC (911179)
36	09250700	1	WASHER, WAVE (911175, 179, 181)

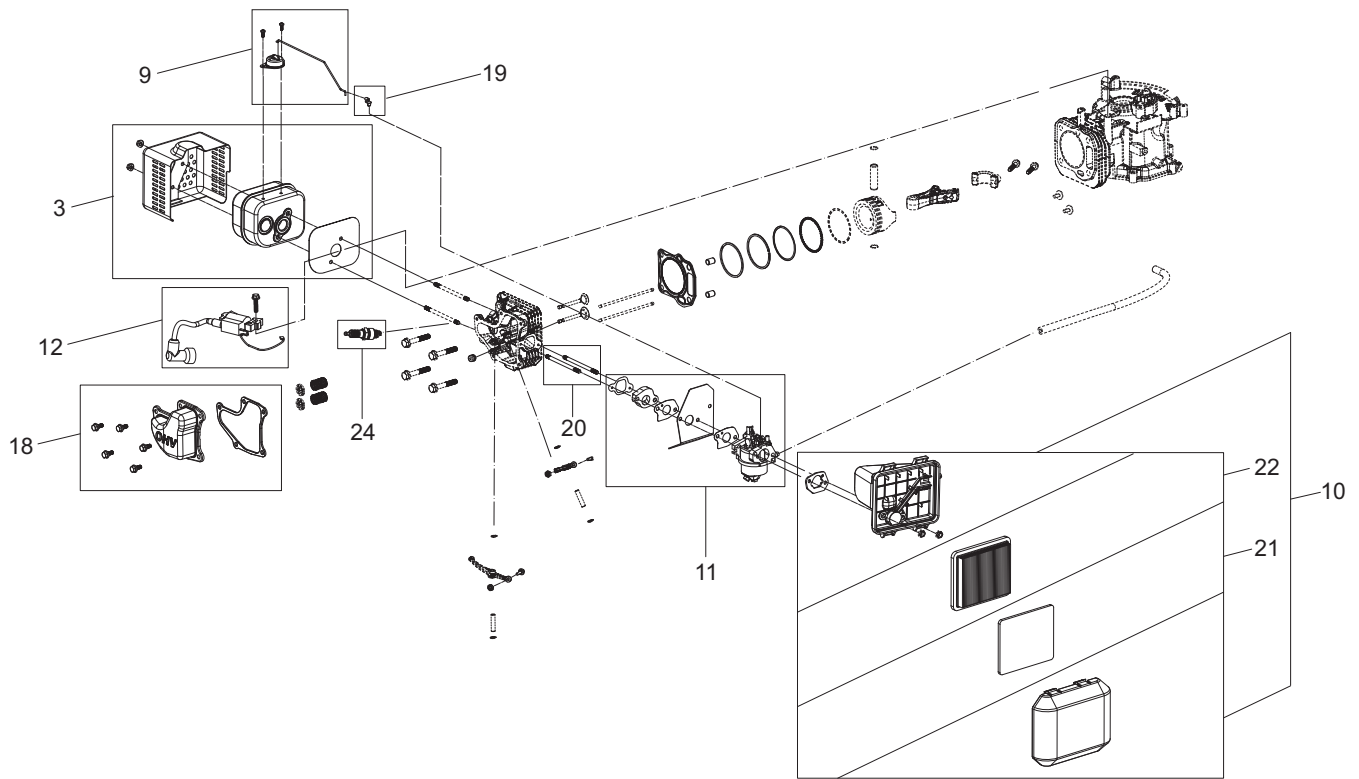
ENGINE KIT COMPONENTS

Model All



ENGINE KIT COMPONENTS CONT'D

Model All



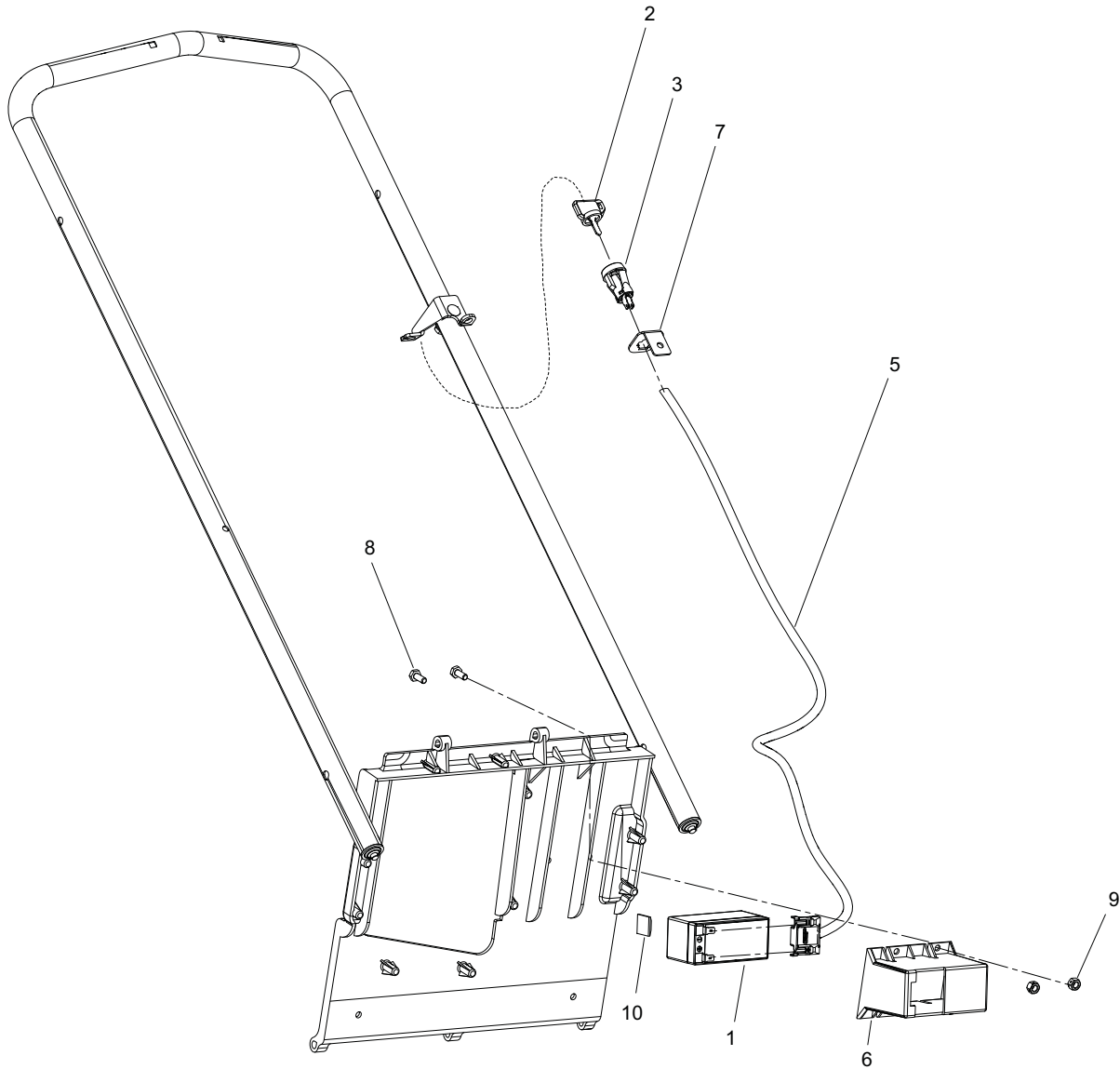
ENGINE KIT COMPONENTS (CONT'D)

Model All

BOM ID	Number	Qty	Description
1	21110201	1	AIR VANE CHOKE KIT
2	21110202	1	GOVERNOR ARM KIT
3	21110203	1	MUFFLER AND SHIELD KIT
4	21110204	1	FLYWHEEL AND FAN KIT – RECOIL START
5	21110205	1	KIT BRAKE ASSEMBLY RECOIL
6	21110206	1	KIT BRAKE ASSEMBLY ELECTRIC
7	21110207	1	KIT ARIENS STYLE
8	21110208	1	KIT FLYWHEEL SHIELD
9	21110209	1	THERMAL CHOKE CONTROL KIT
10	21110210	1	KIT-AIR CLEANER ASM, 2 HINGE
11	21110211	1	CARBURETOR COMPLETE KIT
12	21110212	1	IGNITION COIL KIT
13	21110213	1	SEAL AND GASKET KIT
14	21110214	1	FLYWHEEL AND FAN KIT – ELECTRIC START
16	21110216	1	STARTER KIT – ELECTRIC START
17	21110217	1	WIRE HARNESS KIT
18	21110218	1	KIT-VALVE COVER (1P65FA)
19	21110219	1	LOCK-THROTTLE
20	21110220	1	STUD-INTAKE
21	21100220	1	AIR FILTER, FOAM PRE-FILTER
22	21100121	1	AIR FILTER ELEMENT
23	21110225	1	FUEL LINE WITH STRAINER
24	21100123	1	SPARK PLUG
25	21110221	1	OIL FILTER TUBE/CAP
26	21110223	1	GAS CAP WITH CANISTER
27	21110234	1	FUEL TANK
28	21110224	1	RECOIL ASSEMBLY
29	21110001	1	ENGINE, SERVICE, AC SERIES (911173, 175, 181)
29	21110002	1	ENGINE, SERVICE, AC SERIES, ELEC (911179)

ELECTRICAL COMPONENTS

Model 911179



BOM ID	Number	Qty	Description
1	04536800	1	BATTERY, SMALL AGM
2	04556300	1	KEY, LM ELEC START
3	04536900	1	SWITCH, KEY
5	04574200	1	CABLE, LM ELEC START
6	04537200	1	COVER, BATTERY

BOM ID	Number	Qty	Description
7	04573351	1	BRKT, KEY SWITCH
8	05900338	2	BLT-HEX .25-20 X .63
9	06529700	2	NUT-LK-CTR .25-20
10	07525100	1	STOP
11	04537000	1	CHARGER, BATTERY (N/S)



Ariens
655 West Ryan Street
Brillion, WI 54110
920-756-4688
Fax 920-756-2407
www.ariens.com

An *Ariens* Company Brand