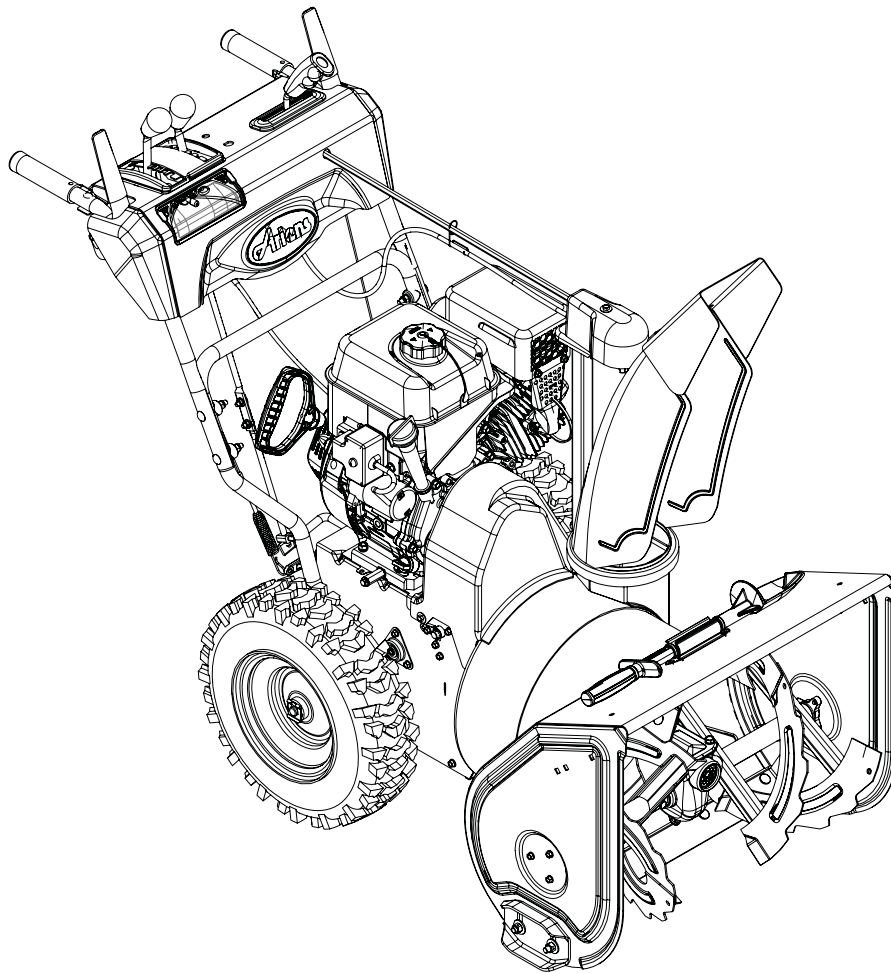




THE KING OF SNOW®

921 Series Sno-Thro®

Parts Manual



Models

921023 – Deluxe 28 Track
(SN 095000+)

921024 – Deluxe 24
(SN 000101+)

921028 – Deluxe 24 Platinum
(SN 000101+)

921029 – Deluxe 30 Platinum
(SN 000101+)

921030 – Deluxe 28
(SN 000101+)

921032 – Deluxe 30
(SN 000101+)

921035 – Deluxe 28
(SN 000101+)



The use of any gasoline exceeding 10% ethanol (E10) or 10% MTBE will void the product warranty.
L'utilisation d'une essence contenant plus de 10% d'éthanol (E10) ou de 10% de MTBE annule la garantie.
El uso de cualquier otro tipo de gasolina con un porcentaje superior al 10% de etanol (E10) o al 10% de MTBE invalidará la garantía del producto.

THE MANUAL

Before you operate your unit, carefully and completely read manuals supplied with the unit. The contents will provide you with an understanding of safety instructions and controls during normal operation and maintenance.

For your safety and the safety of others always read, understand, and follow all DANGER, WARNING, and CAUTION messages found in manuals and on safety decals.

Hardware descriptions are given in decimals.

Decimals to Fractions			
.063	1/16	.563	9/16
.125	1/8	.625	5/8
.188	3/16	.688	11/16
.250	1/4	.750	3/4
.313	5/16	.813	13/16
.375	3/8	.875	7/8
.438	7/16	.938	15/16
.500	1/2	1.00	1

SERVICE AND REPLACEMENT PARTS

When ordering replacement parts or making service inquiries, know the Model and Serial numbers of your unit and engine.

Numbers are located on the product registration card in the unit literature package. They are printed on a serial number label, located on the frame of your unit.

- Record Unit Model and Serial numbers here:

- Record Engine Model and Serial numbers here:

UNAUTHORIZED REPLACEMENT PARTS

Use only Ariens replacement parts. The replacement of any part on this vehicle with anything other than an Ariens authorized replacement part may adversely affect the performance, durability, or safety of this unit and may void the warranty. Ariens disclaims liability for any claims or damages, whether warranty, property damage, personal injury or death arising out of the use of unauthorized replacement parts.

PRODUCT REGISTRATION

The Ariens dealer must register the product at the time of purchase. Registering the product will help the company process warranty claims or contact you with the latest service information. All claims meeting requirements during the limited warranty period will be honored, whether or not the product registration card is returned. Keep a proof of purchase if you do not register your unit.

Customer Note: If Dealer does not register your product, please fill out, sign and return the product registration card to Ariens or go to www.ariens.com.

YOUR SATISFACTION IS IMPORTANT

Questions? Please follow these helpful steps:

1. Refer to the manuals supplied with your unit.
They will guide you through safe and proper operation and maintenance.
They contain specifications on your unit.
If your questions are not answered in these manuals, go to step number two.
2. Contact Your Dealer.
Our dealers will be happy to supply any service or advice required to keep your unit operating at peak efficiency.
A factory trained staff is available to support your equipment needs. They stock genuine Ariens parts and lubricants manufactured with the same precision and skill as the original.
If your questions are not resolved by the support staff, ask for the manager or owner.
When contacting your Dealer supply your model and serial numbers.

TO SPEED PARTS ORDERING:

1. Know the model and serial numbers of your unit.
2. Know the part number required.
3. Know the quantity required.
4. Know the part description.

MODELS

Domestic

Model 921023 (Deluxe 28 Track)

28" Sno-Thro, 120V Electric Start

Serial No. 095000 and up

Model 921024 (Deluxe 24)

24" Sno-Thro, 120V Electric Start

Serial No. 000101 and up

Model 921028 (Deluxe 24 Platinum)

24" Sno-Thro, 120V Electric Start

Serial No. 000101 and up

Model 921029 (Deluxe 30 Platinum)

30" Sno-Thro, 120V Electric Start

Serial No. 000101 and up

Model 921030 (Deluxe 28)

28" Sno-Thro, 120V Electric Start

Serial No. 000101 and up

Model 921032 (Deluxe 30)

30" Sno-Thro, 120V Electric Start

Serial No. 000101 and up

Model 921035 (Deluxe 28)

28" Sno-Thro, 120V Electric Start

Serial No. 000101 and up

TABLE OF CONTENTS

DECALS

Decals	4
--------------	---

ENGINE AND DRIVE

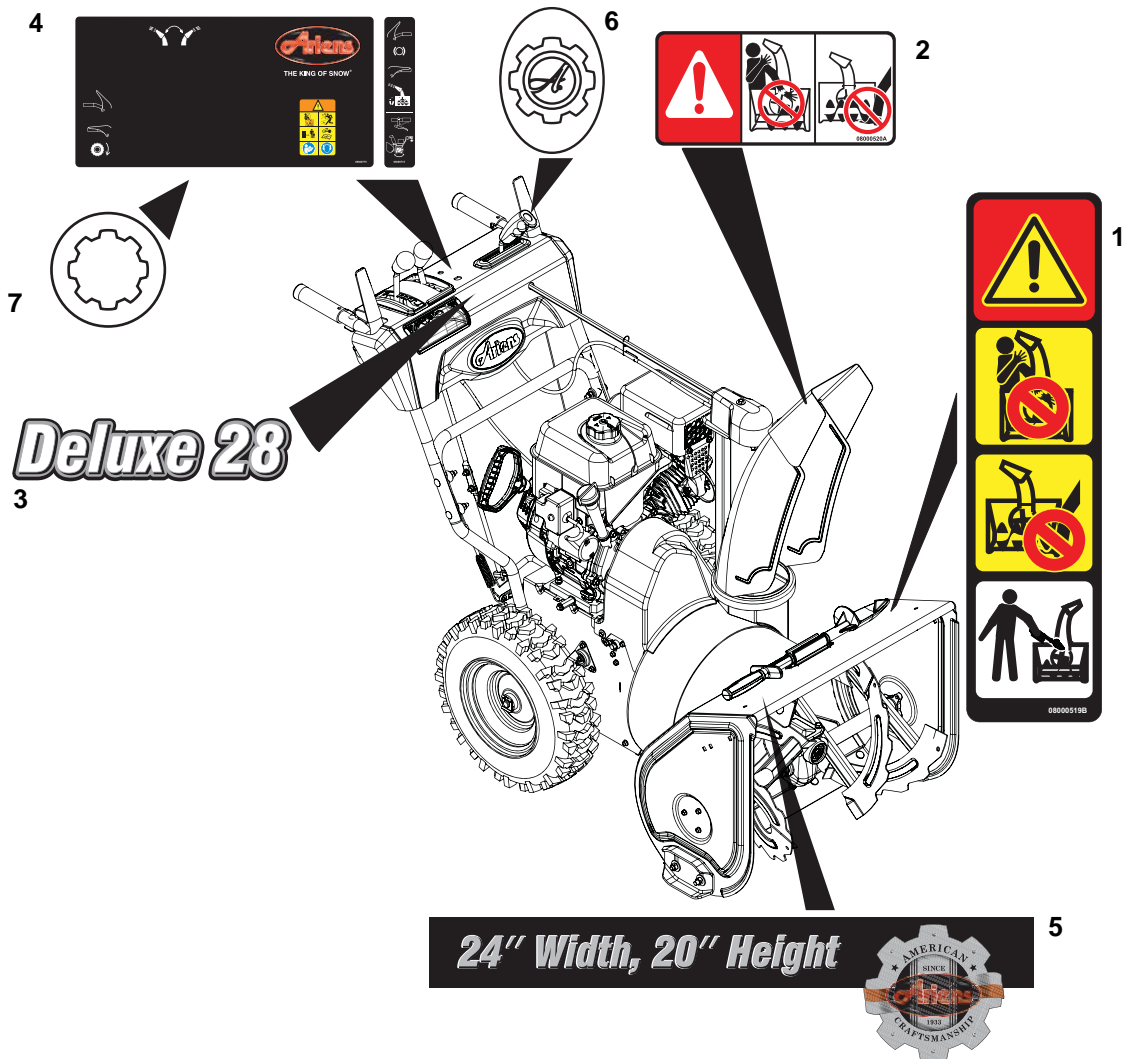
Engine, Frame and Belt Drive	6
Engine – 08200803 Ariens AX 254 cc	11
Engine – 08200909 Ariens AX 291 cc	14
Engine – 08200913 Ariens AX 414 cc	17
Friction Drive	20
Friction Drive – Track	21
Swing Plate	22
Wheels and Axles	23
Track	26
Gear Case and Impeller	27
Handlebars	28
Handlebars	28
Controls	33

CHUTE AND HOUSING

Discharge Chute – Crank	35
Discharge Chute	36
Auger and Housing – 24 in.	37
Auger and Housing – 28 in.	39
Auger and Housing – 30 in.	40

DECALS

Model 921023, 024, 028, 029, 030, 032, 035

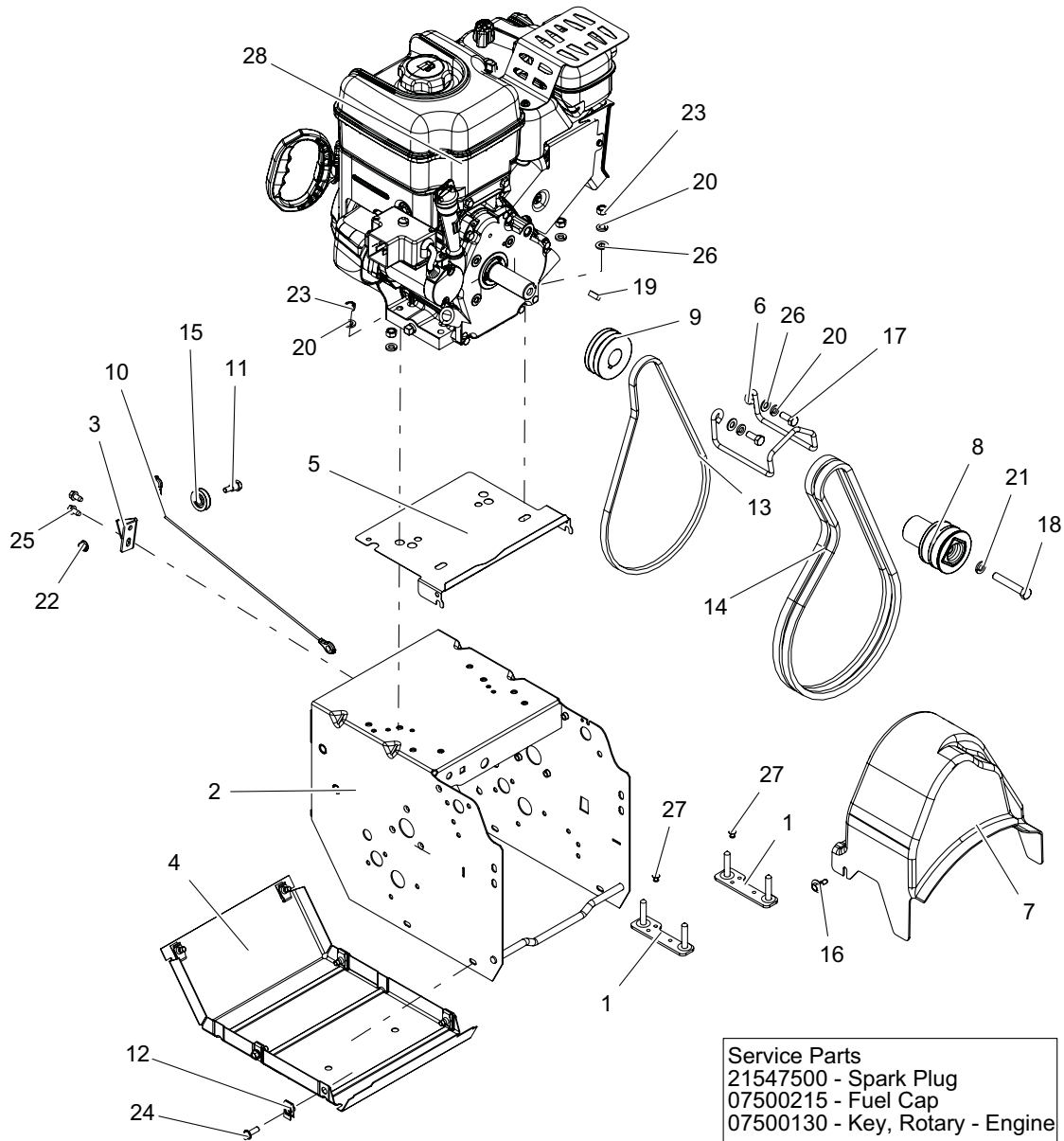


Item	Part No.	Qty.	Description
1	08000519	1	Decal, Danger, Rotating Parts
2	08000520	1	Decal, Danger
3	08000510	1	Decal, Deluxe 28 (921023, 030, 035)
	08000332	1	Decal, Deluxe 24 (921024)
	08000635	1	Decal, Platinum 24 (921028)
	08000634	1	Decal, Platinum 30 (921029)
	08000636	1	Decal, Deluxe 30 (921032)
4	08000715	1	Decal, Control (921023)
	08000713	1	Decal, Control (921024)
	08000901	1	Decal, Control (921028, 029)
	08000903	1	Decal, Control (921030, 032, 035)
5	08000701	1	Decal, Housing, Deluxe/Platinum 28 (921023, 030, 035)
	08000702	1	Decal, Housing, Deluxe/Platinum 24 (921024, 028)
	08000640	1	Decal, Housing, Deluxe/Platinum 30 (921029, 032)
6	08000630	1	Decal, Ariens Gear (921028, 029)
7	08000836	1	Decal, Autodifferential (921028, 029, 030, 032, 035)

NOTES

ENGINE, FRAME AND BELT DRIVE

Model 921023



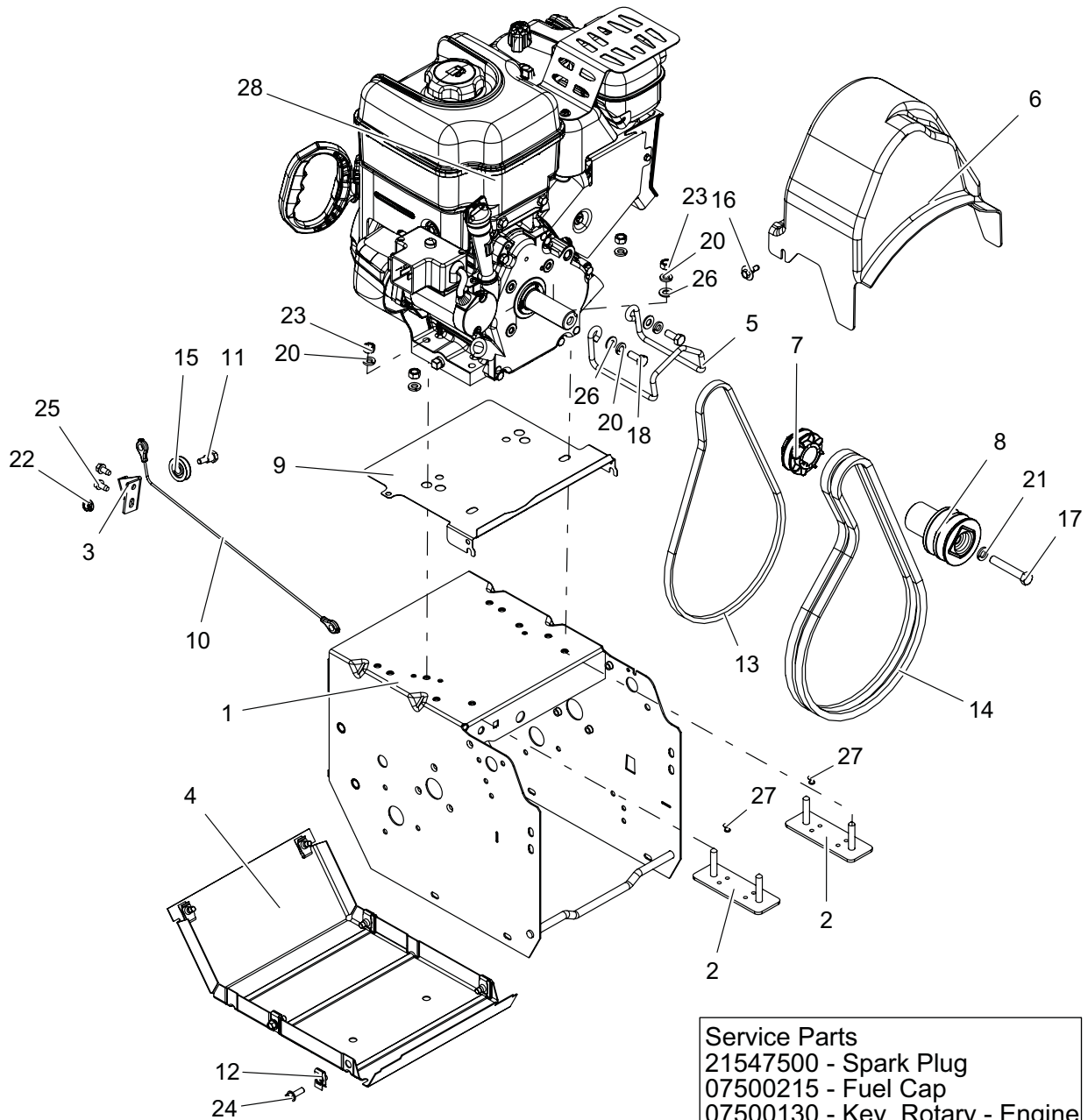
Service Parts
 21547500 - Spark Plug
 07500215 - Fuel Cap
 07500130 - Key, Rotary - Engine

BOM ID	Number	Qty	Description
1	00188400	2	WLDMT, STRAP ENGINE BOLT
2	04456159	1	WLDMT, FRAME
3	00373051	1	BRKT, CABLE PULLEY
4	00492359	1	COVER, BOTTOM
5	03880851	1	BAFFLE, BRIGGS MDL 12/15
6	03882100	1	FINGER, BELT
7	04083900	1	COVER, BELT
8	04498700	1	SHEAVE, ATTACHMENT 2-GRV
9	04542600	1	SHEAVE, DRIVE
10	06900505	1	CABLE, LOWER TRACTION (DELUXE)
11	07000021	1	BOLT, SHLDR -.375 X .375 X .25-20
12	07009000	6	NUT, RTNR .25-20 X .56
13	07200114	1	V-BELT, 3L-WRAPPED CLUTCHING (NO RUBBER BLEED THRU)
14	07200514	1	V-BELT, HA-RAW EDGE LAMINATED (SET)
15	07300012	1	PULLEY, CABLE

BOM ID	Number	Qty	Description
16	07400108	2	SCR, TAP .25-20 X.5 CAPTIVE
17	05947300	2	BLT-HEX .31-24X.75 GR5 YWZC
18	05901307	1	BLT-HEX .38-24X2.25 YWZC GR5
19	06602700	1	KEY-SQ .250X.250X.625
20	06307400	6	WSHR-LK .31X.097 HVY YWZC
21	06308800	1	WSHR-LK .38X.094 REG YWZC
22	06500710	1	NUT, LK-CTR-FLG .25-20 YWZC
23	06529200	4	NUT-HEX .31-18 YWZC
24	05900019	6	BLT-HEX .25-20X.75 HWH YWZC GR5
25	07400034	2	SCR-TAP .25-20X.50 HWH TR YWZ
26	06437200	3	WSHR-FL-STL.344X.688X.065YWZC
27	06800028	2	RVT-POP .187x.250 (#64) YWZC
28	08200811	1	ENGINE, BRIGGS PF 1150 (120V)

ENGINE, FRAME AND BELT DRIVE

Model 921035



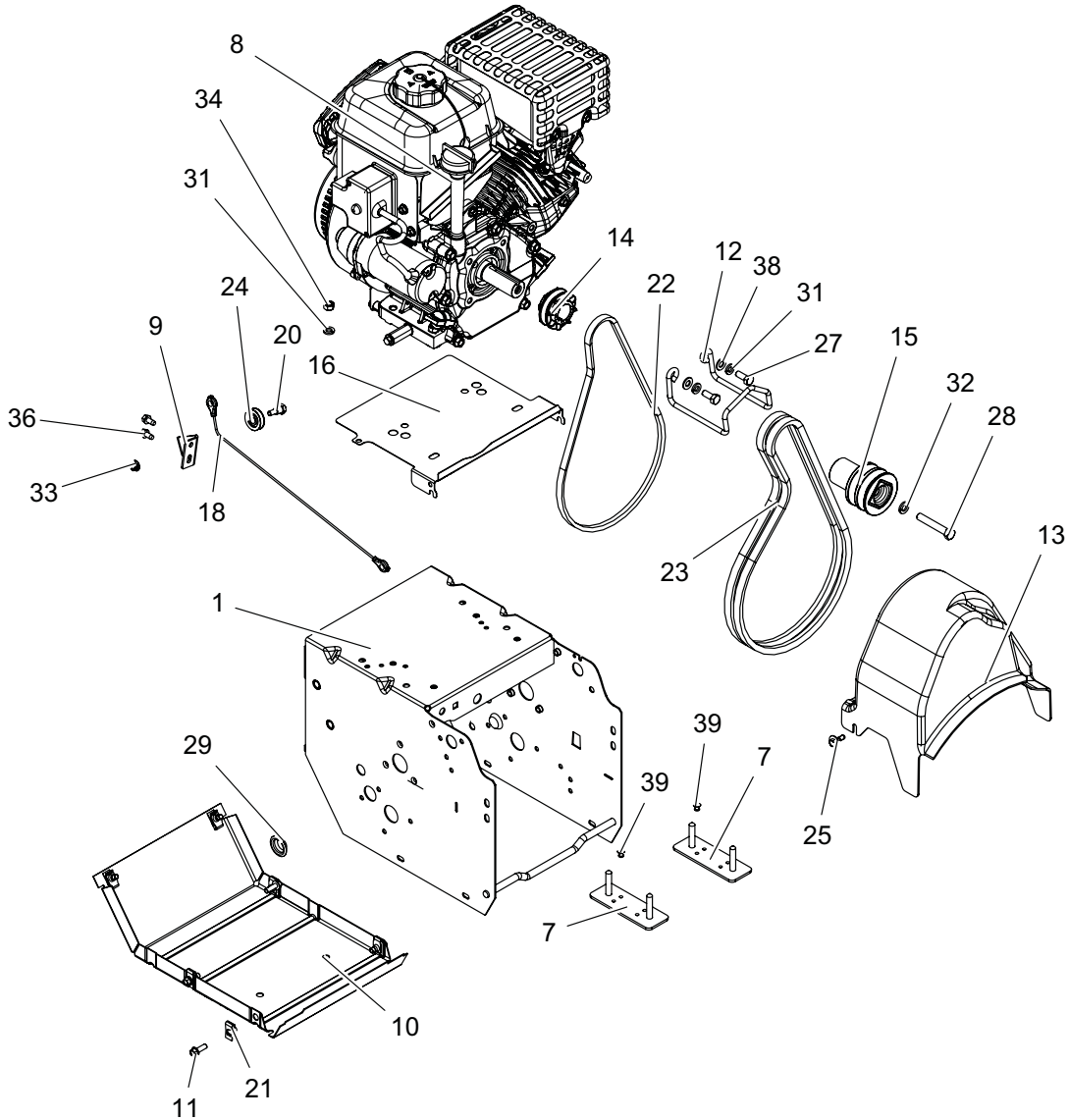
Service Parts
 21547500 - Spark Plug
 07500215 - Fuel Cap
 07500130 - Key, Rotary - Engine

BOM ID	Number	Qty	Description
1	04585059	1	WELDMENT, FRAME - DELUXE 16"
2	04637900	2	WLDMT, STRAP ENGINE BOLT ARIENS SMALL
3	00373051	1	BRKT, CABLE PULLEY
4	00492359	1	COVER, BOTTOM
5	03882100	1	FINGER, BELT
6	04083900	1	COVER, BELT
7	04409100	1	SHEAVE, DRIVE
8	04498700	1	SHEAVE, ATTACHMENT 2-GRV
9	04637851	1	BAFFLE, ARIENS SMALL
10	06900505	1	CABLE, LOWER TRACTION (DELUXE)
11	07000021	1	BOLT, SHLDR - .375 X .375 X .25-20
12	07009000	6	NUT, RTNR .25-20 X .56
13	07200111	1	V-BELT, 3L-WRAPPED CLUTCHING (NO RUBBER BLEED THRU)
14	07200514	1	V-BELT, HA-RAW EDGE LAMINATED (SET)

BOM ID	Number	Qty	Description
15	07300012	1	PULLEY, CABLE
16	07400108	2	SCR, TAP .25-20 X.5 CAPTIVE
17	05901307	1	BLT-HEX .38-24X2.25 YWZC GR5
18	05947300	2	BLT-HEX .31-24X.75 GR5 YWZC
20	06307400	6	WSHR-LK .31X.097 HVY YWZC
21	06308800	1	WSHR-LK .38X.094 REG YWZC
22	06500710	1	NUT, LK-CTR-FLG .25-20 YWZC
23	06529200	4	NUT-HEX .31-18 YWZC
24	05900019	6	BLT-HEX .25-20X.75 HWH YWZC GR5
25	07400034	2	SCR-TAP .25-20X.50 HWH TR YWZ
26	06437200	3	WSHR-FL-STL.344X.688X.065YWZC
27	06800028	2	RVT-POP .187x.250 (#64) YWZC
28	08200811	1	ENGINE, BRIGGS PF 1150 (120V)

ENGINE, FRAME AND BELT DRIVE

Model 921024, 030

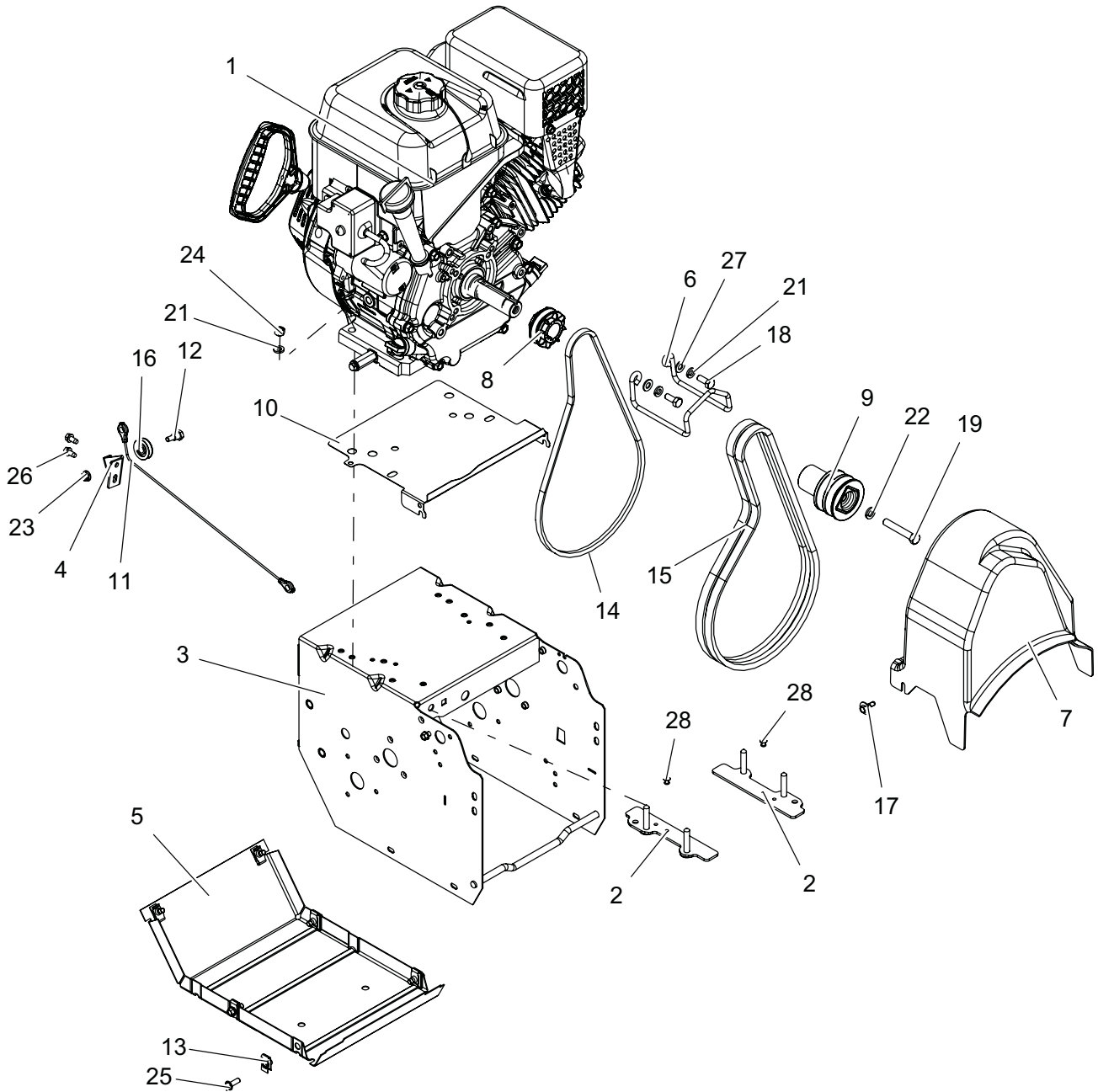


BOM ID	Number	Qty	Description
1	04649559	1	WLDMT, FRAME -DELUXE HYBRID
7	04637900	2	WLDMT, STRAP ENGINE BOLT ARIENS SMALL
8	08200803	1	ENGINE, ARIENS AX254 120V/60W
9	00373051	1	BRKT, CABLE PULLEY
10	00492359	1	COVER, BOTTOM
11	05900019	6	BLT-HEX .25-20X.75 HWH YWZC GR5
12	03882100	1	FINGER, BELT
13	04083900	1	COVER, BELT
14	04409100	1	SHEAVE, DRIVE
15	04498700	1	SHEAVE, ATTACHMENT 2-GRV
16	04637851	1	BAFFLE, ARIENS SMALL
18	06900505	1	CABLE, LOWER TRACTION (DELUXE)
20	07000021	1	BOLT, SHLDR -.375 X .375 X .25-20
21	07009000	6	NUT, RTNR .25-20 X .56
22	07200111	1	V-BELT, 3L-WRAPPED CLUTCHING (NO RUBBER BLEED THRU)

BOM ID	Number	Qty	Description
23	07200514	1	V-BELT, HA-RAW EDGE LAMINATED (SET)
24	07300012	1	PULLEY, CABLE
25	07400108	2	SCR, TAP .25-20 X.5 CAPTIVE
27	05947300	2	BLT-HEX .31-24X.75 GR5 YWZC
28	05901307	1	BLT-HEX .38-24X2.25 YWZC GR5
29	07500023	2	PLUG, HOLE - .875"
31	06307400	6	WSHR-LK .31X.097 HVY YWZC
32	06308800	1	WSHR-LK .38X.094 REG YWZC
33	06500710	1	NUT, LK-CTR-FLG .25-20 YWZC
34	06529200	4	NUT-HEX .31-18 YWZC
36	07400034	2	SCR-TAP .25-20X.50 HWH TR YWZ
38	06437200	2	WSHR-FL-STL.344X.688X.065YWZC
39	06800028	2	RVT-POP .187x.250 (#64) YWZC

ENGINE, FRAME AND BELT DRIVE

Model 921028, 032

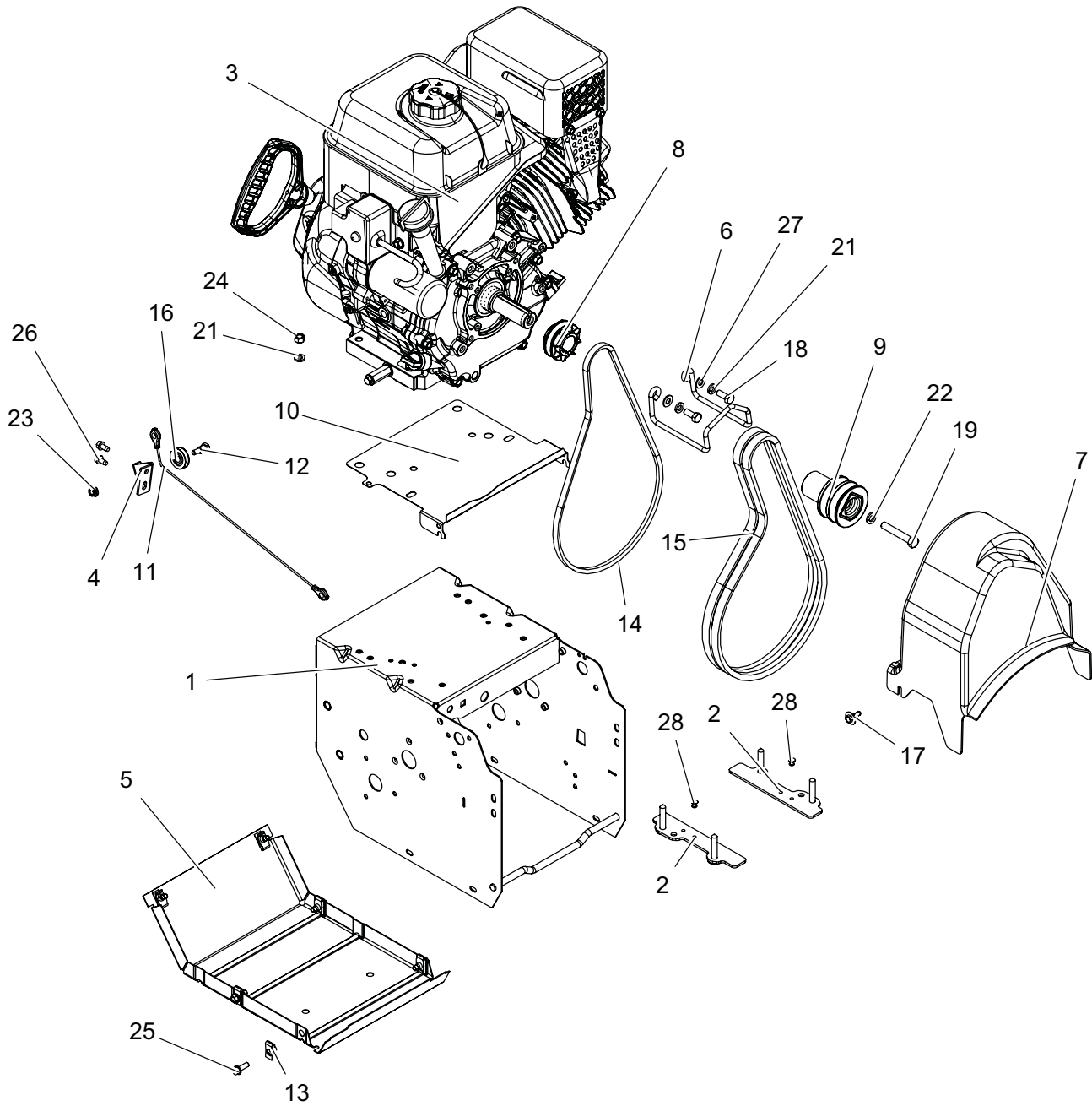


BOM ID	Number	Qty	Description
1	08200909	1	ENGINE, ARIENS AX291 120V/60W
2	04637500	2	WLDMT, STRAP ENGINE BOLT ARIENS MID
3	04585059	1	WELDMENT, FRAME - DELUXE 16"
4	00373051	1	BRKT, CABLE PULLEY
5	00492359	1	COVER, BOTTOM
6	03882100	1	FINGER, BELT
7	04084000	1	COVER, BELT
8	04409100	1	SHEAVE, DRIVE
9	04498700	1	SHEAVE, ATTACHMENT 2-GRV
10	04584551	1	BAFFLE, ARIENS MID
11	06900505	1	CABLE, LOWER TRACTION (DELUXE)
12	07000021	1	BOLT, SHLDR -.375 X .375 X .25-20
13	07009000	6	NUT, RTNR .25-20 X .56
14	07200522	1	V-BELT, 3L-WRAPPED CLUTCHING (NO RUBBER BLEED THRU)

BOM ID	Number	Qty	Description
15	07200536	1	V-BELT, HA-RAW EDGE LAMINATED (SET)
16	07300012	1	PULLEY, CABLE
17	07400108	2	SCR, TAP .25-20 X.5 CAPTIVE
18	05947300	2	BLT-HEX .31-24X.75 GR5 YWZC
19	05901307	1	BLT-HEX .38-24X2.25 YWZC GR5
21	06307400	6	WSHR-LK .31X.097 HVY YWZC
22	06308800	1	WSHR-LK .38X.094 REG YWZC
23	06500710	1	NUT, LK-CTR-FLG .25-20 YWZC
24	06529200	4	NUT-HEX .31-18 YWZC
25	05900019	6	BLT-HEX .25-20X.75 HWH YWZC GR5
26	07400034	2	SCR-TAP .25-20X.50 HWH TR YWZ
27	06437200	2	WSHR-FL-STL.344X.688X.065YWZC
28	06800028	2	RVT-POP .187x.250 (#64) YWZC

ENGINE, FRAME AND BELT DRIVE

Model 921029



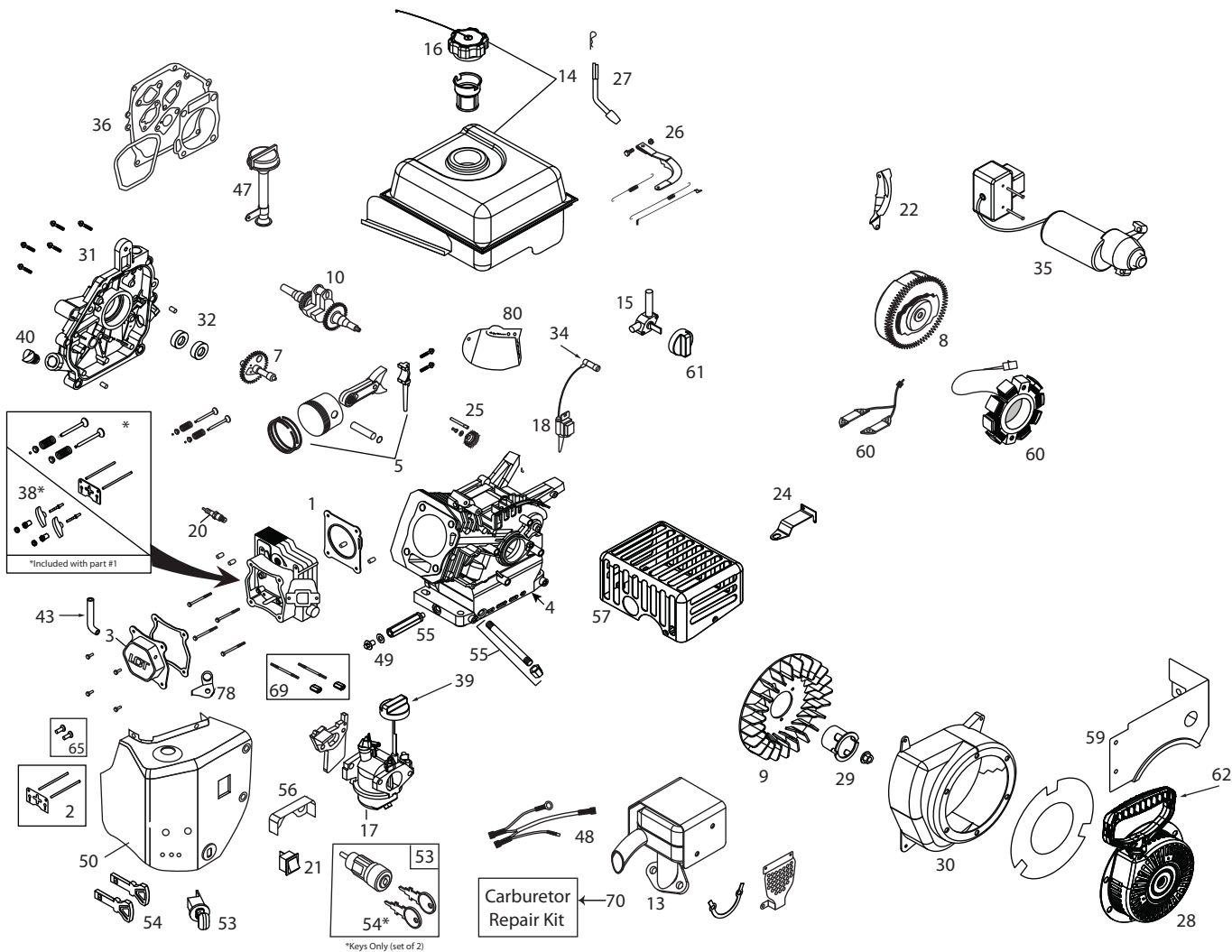
BOM ID	Number	Qty	Description
1	04585059	1	WELDMENT, FRAME - DELUXE 16"
2	04637400	2	WLDMT, STRAP ENGINE BOLT ARIENS LARGE
3	08200913	1	ENGINE, ARIENS AX414 120V/60W
4	00373051	1	BRKT, CABLE PULLEY
5	00492359	1	COVER, BOTTOM
6	03882100	1	FINGER, BELT
7	04084000	1	COVER, BELT
8	04409100	1	SHEAVE, DRIVE
9	04498700	1	SHEAVE, ATTACHMENT 2-GRV
10	04584651	1	BAFFLE, ARIENS LARGE
11	06900505	1	CABLE, LOWER TRACTION (DELUXE)
12	07000021	1	BOLT, SHLDR -.375 X .375 X .25-20
13	07009000	6	NUT, RTNR .25-20 X .56
14	07200522	1	V-BELT, 3L-WRAPPED CLUTCHING (NO RUBBER BLEED THRU)

BOM ID	Number	Qty	Description
15	07200536	1	V-BELT, HA-RAW EDGE LAMINATED (SET)
16	07300012	1	PULLEY, CABLE
17	07400108	2	SCR, TAP .25-20 X.5 CAPTIVE
18	05947300	2	BLT-HEX .31-24X.75 GR5 YWZC
19	05901307	1	BLT-HEX .38-24X2.25 YWZC GR5
21	06307400	6	WSHR-LK .31X.097 HVY YWZC
22	06308800	1	WSHR-LK .38X.094 REG YWZC
23	06500710	1	NUT, LK-CTR-FLG .25-20 YWZC
24	06529200	4	NUT-HEX .31-18 YWZC
25	05900019	6	BLT-HEX .25-20X.75 HWH YWZC GR5
26	07400034	2	SCR-TAP .25-20X.50 HWH TR YWZ
27	06437200	2	WSHR-FL-STL.344X.688X.065YWZC
28	06800028	2	RVT-POP .187x.250 (#64) YWZC

ENGINE – 08200803 ARIENS AX 254 CC

Model 921024, 030

AX254cc Snow Engines



ENGINE – 08200803 ARIENS AX 254 CC

Model 921024, 030

Item	Part No.	Qty.	Description
1	20001256	1	CYLINDER HEAD ASSY(W/GASKET)
2	20001257	1	PUSH ROD & PLATE KIT (W/GSKT)
3	20001264	1	VALVE COVER (W/GASKET)
4	20001164	1	CYLINDER (FRONT OIL DRAIN)
5	20001259	1	PISTON & ROD ASSEMBLY
7	20001260	1	CAMSHAFT - MCR (W/GASKET)
8	20001172	1	FLYWHEEL - ELECTRIC START
9	20001248	1	COOLING FAN - FLYWHEEL
10	20001178	1	CRANKSHAFT (#17 KEYED)
13	20001169	1	MUFFLER ASSEMBLY
14	20001170	1	FUEL TANK (GLOSSY BLACK)
15	20001162	1	FUEL TANK ON/OFF VALVE
16	07500112	1	CAP, FUEL (LCT 208)
17	20001171	1	CARBURETOR W/IDL DN-CTRL-GSKTS
18	20001041	1	IGNITION COIL (CDI) (HI-TEMP)
20	20001113	1	SPARK PLUG - PLATINUM
21	20001033	1	ON/OFF SWITCH - ROCKER
22	20001226	1	SHIELD - FLYWHEEL (ELECTRIC)
23	20001252	1	FUEL HOSE KIT 1/4-318MM
24	20001168	1	SPEED CONTROL BRACKET (FIXED)
25	20001236	1	GOVERNOR GEAR ASSEMBLY
26	20001167	1	GOVERNOR ARM & LINK KIT
27	20001238	1	GOVERNOR ARM PADDLE
28	20001054	1	RECOIL STARTER ASSY RND-BLACK
29	20001056	1	STARTER CUP RND STYLE STARTER
30	20001173	1	BLOWER HSG (GLS BLK W/FRT DRN)
31	20001261	1	CRANKCASE COVER
32	20001262	1	OIL SEAL KIT (2 PCS)
34	20001158	1	SPARK PLUG BOOT (W/MTL SHIELD)
35	20001030	1	120V ELECTRIC STARTER
36	20001263	1	ENGINE GASKET KIT
38	20001258	1	ROCKER ARM KIT (W/GASKET)
39	20001145	1	CHOKE CONTROL KNOB (RED)
40	20001243	1	NON-REMOVABLE PLASTIC PLUG
43	20001251	1	BREATHER TUBE
47	20001071	1	HIGH OIL-FILL TUBE/DIPSTICK
48	20001013	1	WIRE HARNESS
49	20001255	1	OIL DRAIN PLUG (W/WASHER)
50	20001165	1	HEATER BOX ASSEMBLY (GLS BLK)
52	20001023	1	PRIMER BULB WITH HOSE-SNOW
53	20001031	1	SAFETY KEY SWITCH (W/KEYS)
54	07500111	1	KEY, PUSH/PULL LCT (2/PACKAGE)
55	20001177	1	FRONT OIL DRN PIPE & NUT ASSY
56	20001176	1	CARBURETOR VAPOR SHIELD
58	20001174	1	SHIELD - GOVERNOR LINKAGE
59	20001166	1	FUEL TANK SKRT SHLD (GLS BLK)

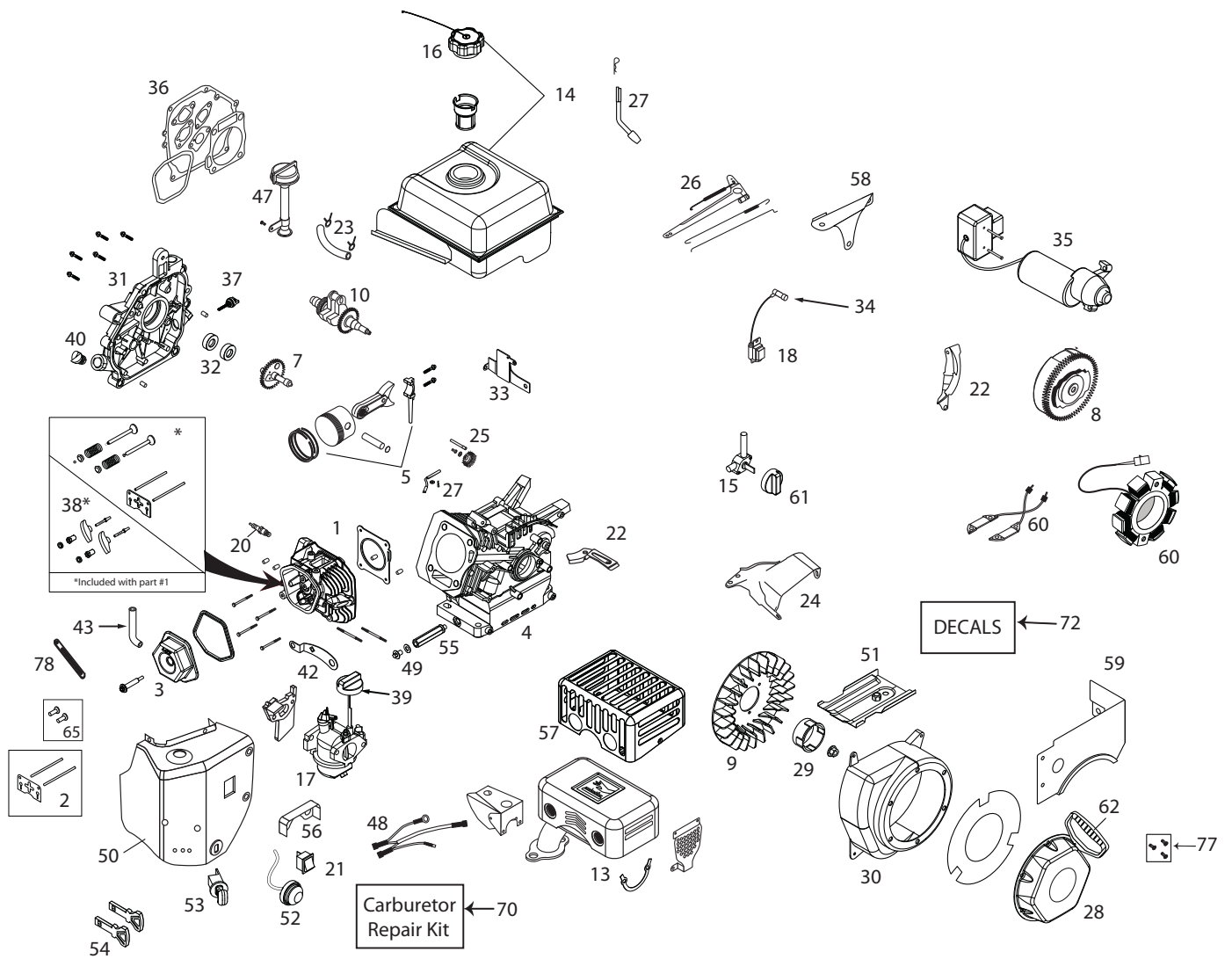
ENGINE – 08200803 ARIENS AX 254 CC

Model 921024, 030

Item	Part No.	Qty.	Description
60	20001039	1	CHARGING COIL (60-WATT AC)
61	20001148	1	FUEL CONTROL KNOB (RED)
62	20001064	1	STARTER GRIP-SNOW (DELUXE)
65	20001220	1	TAPPET KIT (SET OF 2)
69	20001024	1	CARBURETOR STUDS & COUPLNG KIT
70	20001184	1	CARBURETOR REPAIR KIT
72	20001179	1	ARIENS 254 (ALL) SNW DCL KIT
74	20001019	1	MUFFLER HEAT SHIELD COVER
77	20001186	1	RECOIL BOLT KIT
79	20001081	1	CARBURETOR COVER
80	20001175	1	SHIELD GOVERNOR LINK
81	20001333	1	WOODRUFF FLYWHEEL KEY 5-PACK
82	20001330	1	CARBURETOR SPACER

ENGINE – 08200909 ARIENS AX 291 CC

Model 921028, 032



ENGINE – 08200909 ARIENS AX 291 CC

Model 921028, 032

Item	Part No.	Qty.	Description
1	20001265	1	CYLINDER HEAD ASSY (W/GASKET)
2	20001266	1	PUSH ROD & PLATE KIT (W/GSKT)
3	20001298	1	VALVE COVER (W/GASKET)
4	20001104	1	CYLINDER
5	20001269	1	PISTON & ROD ASSEMBLY
6	20001270	1	CONNECTING ROD ASSEMBLY
7	20001272	1	CAMSHAFT - MCR (W/GASKET)
8	20001110	1	FLYWHEEL - ELECTRIC START
9	20001278	1	COOLLNG FAN - FLYWHEEL
10	20001123	1	CRANKSHAFT (#17 KEYED)
13	20001102	1	MUFFLER ASSEMBLY
14	20001107	1	FUEL TANK (GLS BLACK)
15	20001162	1	FUEL TANK ON/OFF VALVE
16	20001131	1	FUEL TANK CAP - (VENTED)
17	20001108	1	CARBURETOR (W/IDLE-DOWN)
18	20001159	1	IGNITION COIL (CDI) (STANDARD)
20	20001271	1	SPARK PLUG
21	20001139	1	ON/OFF SWITCH - ROCKER
22	20001152	1	SHIELD - FLYWHEEL
23	20001301	1	FUEL HOSE KIT
24	20001268	1	SPEED CONTROL BRACKET (FIXED)
25	20001274	1	GOVERNOR GEAR ASSEMBLY
26	20001117	1	GOVERNOR ARM & LINK KIT
27	20001275	1	GOVERNOR ARM PADDLE
28	20001121	1	RECOIL STARTER (GLS BLACK)
29	20001119	1	STARTER CUP
30	20001122	1	BLOWER HOUSING (GLS BLACK)
31	20001276	1	CRANKCASE COVER ASSY
32	20001277	1	OIL SEAL KIT
33	20001114	1	ELECTRIC START SWITCHBOX BRKET
34	20001158	1	SPARK PLUG BOOT (W/MTL SHIELD)
35	20001109	1	120V ELECTRIC STARTER
36	20001279	1	ENGINE GASKET KIT
37	20001293	1	SMALL BLACK OIL DIPSTICK
38	20001284	1	ROCKER ARM KIT (W/GASKET)
39	20001145	1	CHOKE CONTROL KNOB (RED)
40	20001294	1	NON-REMOVABLE PLASTIC PLUG
42	20001138	1	CDI BOX BRACKET
43	20001299	1	BREATHER TUBE
47	20001163	1	HIGH OIL-FILL TUBE & CAP
48	20001141	1	WIRE HARNESS
49	20001303	1	OIL DRAIN PLUG (W/WASHER)
50	20001101	1	HEATER BOX KIT (GLS BLACK)
51	20001281	1	SHIELD - CYLINDER
52	20001133	1	PRIMER BULB WITH HOSE

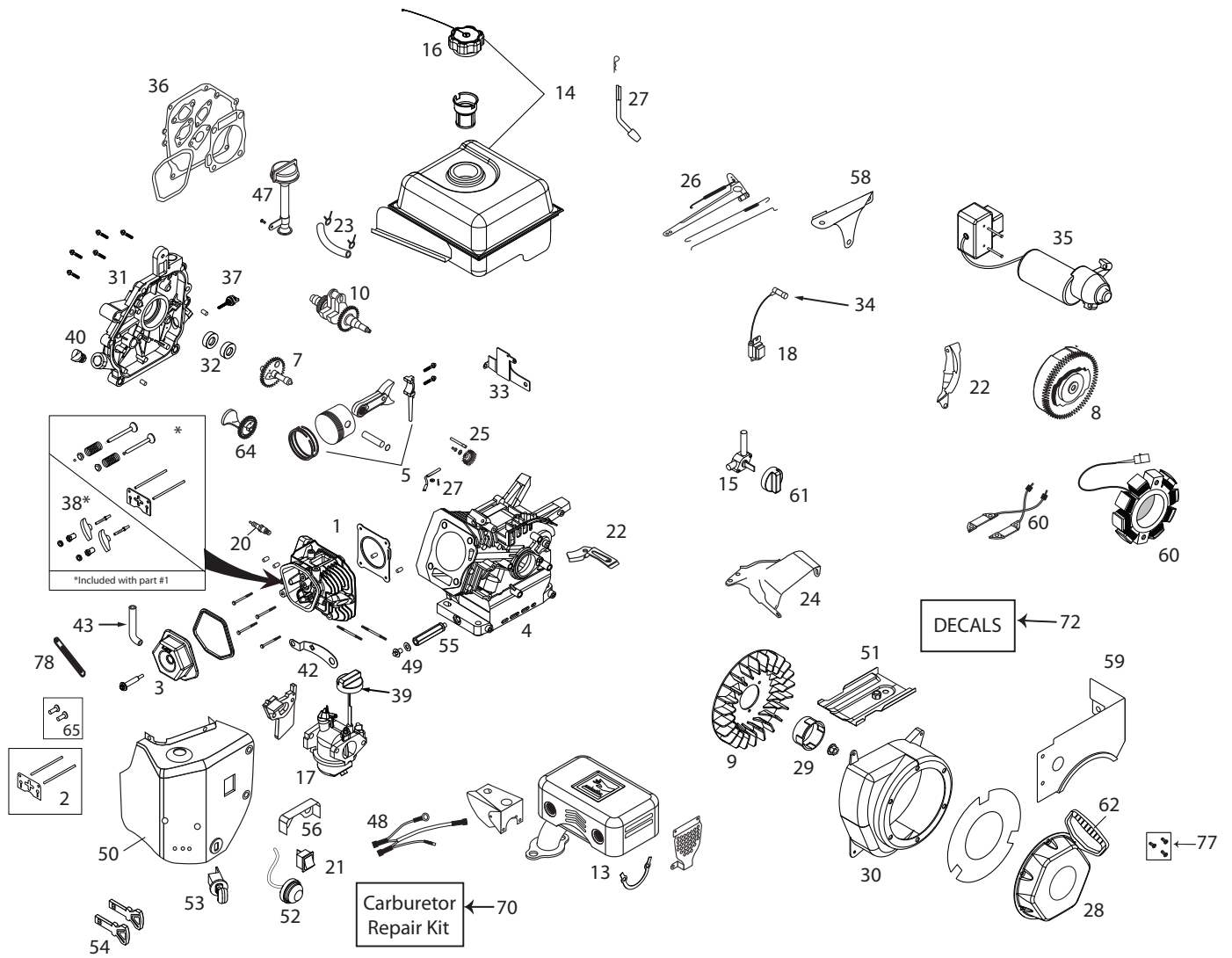
ENGINE – 08200909 ARIENS AX 291 CC

Model 921028, 032

Item	Part No.	Qty.	Description
53	20001137	1	SAFETY KEY SWITCH (W/KEYS)
54	07500111	1	KEY, PUSH/PULL LCT (2/PACKAGE)
55	20001160	1	OIL DRAIN TUBE
56	20001154	1	CARBURETOR VAPOR SHIELD
58	20001116	1	SHIELD - GOVERNOR LINKAGE
59	20001099	1	FUEL TANK SKIRT (GLS BLACK)
60	20001111	1	CHARGING COIL (60-WATT AC)
61	20001148	1	FUEL CONTROL KNOB (RED)
62	20001064	1	STARTER GRIP-SNOW (DELUXE)
65	20001267	1	TAPPET KIT (SET OF 2)
70	20001185	1	CARBURETOR REPAIR KIT
72	20001183	1	ARIENS 291 (ALL) SNW DCL KIT
77	20001186	1	RECOIL BOLT KIT
81	20001327	1	WOODRUFF FLYWHEEL KEY 5-PACK
82	20001334	1	CARBURETOR SPACER

ENGINE – 08200913 ARIENS AX 414 CC

Model 921029



ENGINE – 08200913 ARIENS AX 414 CC

Model 921029

Item	Part No.	Qty.	Description
1	20001283	1	CYLINDER HEAD ASSY (/GASKET)
2	20001280	1	PUSH ROD & PLATE KIT (W/GSKT)
3	20001298	1	VALVE COVER (W/GASKET)
4	20001144	1	CYLINDER
5	20001285	1	PISTON & ROD ASSEMBLY
6	20001286	1	CONNECTING ROD ASSEMBLY
7	20001287	1	CAMSHAFT - MCR (W/GASKET)
8	20001142	1	FLYWHEEL - ELECTRIC START
9	20001296	1	COOLLNG FAN - FLYWHEEL
10	20001161	1	CRANKSHAFT (#17 KEYED)
13	20001128	1	MUFFLER ASSEMBLY
14	20001134	1	FUEL TANK ASSEMBLY (GLS BLACK)
15	20001162	1	FUEL TANK ON/OFF VALVE
16	20001131	1	FUEL TANK CAP - (VENTED)
17	20001135	1	CARBURETOR (W/IDLE-DOWN)
18	20001159	1	IGNITION COIL (CDI) (STANDARD)
20	20001271	1	SPARK PLUG
21	20001139	1	ON/OFF SWITCH - ROCKER
22	20001152	1	SHIELD - FLYWHEEL
23	20001301	1	FUEL HOSE KIT
24	20001282	1	SPEED CONTROL SHIELD-FIXED
25	20001290	1	GOVERNOR GEAR ASSEMBLY
26	20001147	1	GOVERNOR ARM & LINK KIT
27	20001291	1	GOVERNOR ARM PADDLE
28	20001156	1	RECOIL STARTER (GLS BLACK)
29	20001150	1	STARTER CUP
30	20001157	1	BLOWER HOUSING (GLS BLACK)
31	20001292	1	CRANKCASE COVER
32	20001295	1	OIL SEAL KIT
33	20001140	1	ELECT START SWITCHBOX BRACKET
34	20001158	1	SPARK PLUG BOOT (W/MTL SHIELD)
35	20001136	1	120V ELECTRIC STARTER
36	20001297	1	ENGINE GASKET KIT
37	20001293	1	SMALL BLACK OIL DIPSTICK
38	20001284	1	ROCKER ARM KIT (W/GASKET)
39	20001145	1	CHOKE CONTROL KNOB (RED)
40	20001294	1	NON-REMOVABLE PLASTIC PLUG
42	20001138	1	CDI BOX BRACKET
43	20001299	1	BREATHER TUBE
47	20001163	1	HIGH OIL-FILL TUBE & CAP
48	20001141	1	WIRE HARNESS
49	20001303	1	OIL DRAIN PLUG (W/WASHER)
50	20001126	1	HEATER BOX ASSEMBLY (GLS BLK)
51	20001281	1	SHIELD - CYLINDER
52	20001133	1	PRIMER BULB WITH HOSE

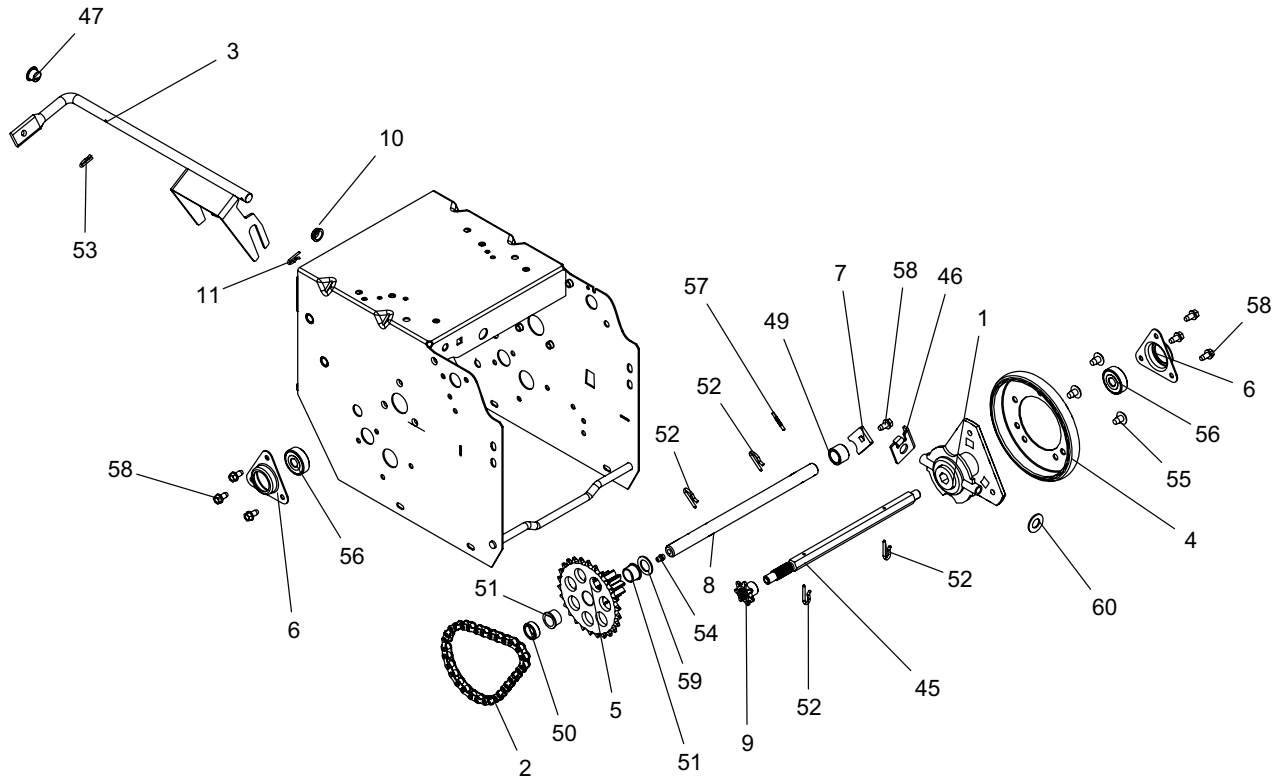
ENGINE – 08200913 ARIENS AX 414 CC

Model 921029

Item	Part No.	Qty.	Description
53	20001137	1	SAFETY KEY SWITCH (W/KEYS)
54	07500111	1	KEY, PUSH/PULL LCT (2/PACKAGE)
55	20001160	1	OIL DRAIN TUBE
56	20001154	1	CARBURETOR VAPOR SHIELD
57	20001129	1	CE COMPLIANT HEAT SHIELD
58	20001146	1	SHIELD - GOVERNOR LINKAGE
59	20001127	1	FUEL TANK SKIRT (GLS BLACK)
60	20001111	1	CHARGING COIL (60-WATT AC)
61	20001148	1	FUEL CONTROL KNOB (RED)
62	20001064	1	STARTER GRIP-SNOW (DELUXE)
64	20001288	1	COUNTER WEIGHT KIT
65	20001267	1	TAPPET KIT (SET OF 2)
70	20001185	1	CARBURETOR REPAIR KIT
72	20001180	1	ARIENS 414 (ALL) SNW DCL KIT
77	20001186	1	RECOIL BOLT KIT
78	20001155	1	BREATHER TUBE RETAINING STRAP
79	20001153	1	SHIELD - CARBURETOR COVER
81	20001333	1	WOODRUFF FLYWHEEL KEY 5-PACK
82	20001335	1	CARBURETOR SPACER

FRICTION DRIVE

Model 921024, 028, 029, 030, 032, 035



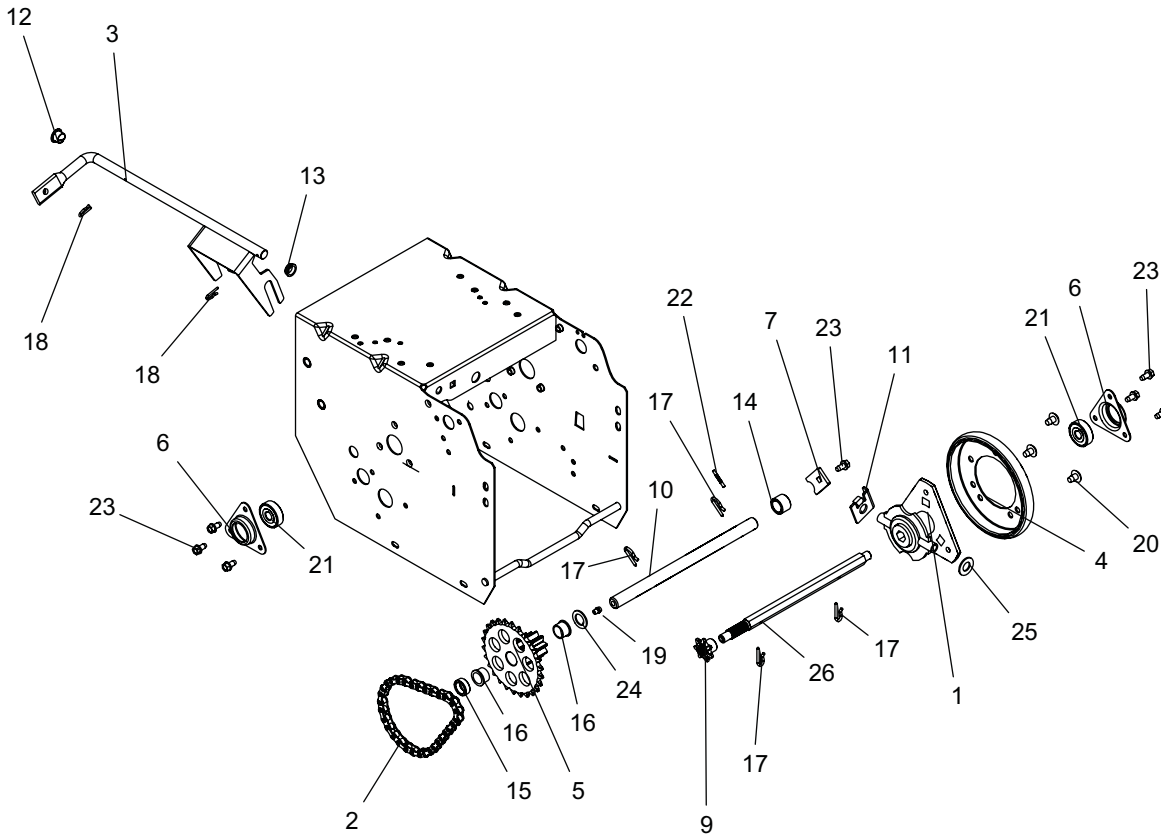
Service Parts
 52601500 - Pinion, Sprocket w/Bushings
 (includes items 5 and 51)

BOM ID	Number	Qty	Description
1	00383100	1	CARRIER, DRIVE DISK
2	02466200	1	CHAIN, ROLLER - #41 w/32 PITCHES
3	04655300	1	WLDMT, SHIFT FORK
4	00170800	1	DISC, FRICTION
5	00190600	1	PINION, SPROCKET
6	00383000	2	FLANGE, BRG
7	00503500	1	TAB, ANTI - ROTATION
8	00657900	1	SHAFT, PINION
9	04092600	1	SPROCKET, PINION 7T W/SPLINE
10	05500028	1	BSHG, POLYLINER - .50 SNAP-IN
11	06944800	1	CLIP, SPRING
45	04149500	1	SHAFT, HEX W/SPLINE
46	04671900	1	BRKT, FORMED - SHIFT FORK
47	05500026	1	BUSHING, POLYLINER - .50 SPLIT

BOM ID	Number	Qty	Description
49	05500029	1	SPCR, .635 X .880 X .611
50	05500035	1	BSHG, SLV, .635X.880X.305
51	05500111	2	BSHG, FLG .625 X .750 X .500 X .875
52	06714500	4	PIN, SPRING CLIP
53	06944800	1	CLIP, SPRING
54	07061300	1	ZERK, FITTING .25X.125 DRIVE IN
55	07400009	3	SCR, TAP SERRDHDTX .31-18X.50BP
56	05435200	2	BRG-BALL .437X1.375X.437
57	05800205	1	PIN-GRV .125X1.00 TP E
58	07400034	7	SCR-TAP .25-20X.50 HWH TR YWZ
59	06436100	1	WSHR-FL-STL .630X1.005X.062 YWZC
60	06439200	1	WSHR-FL-STL .505X1.00X.062 YWZC

FRICION DRIVE – TRACK

Model 921023



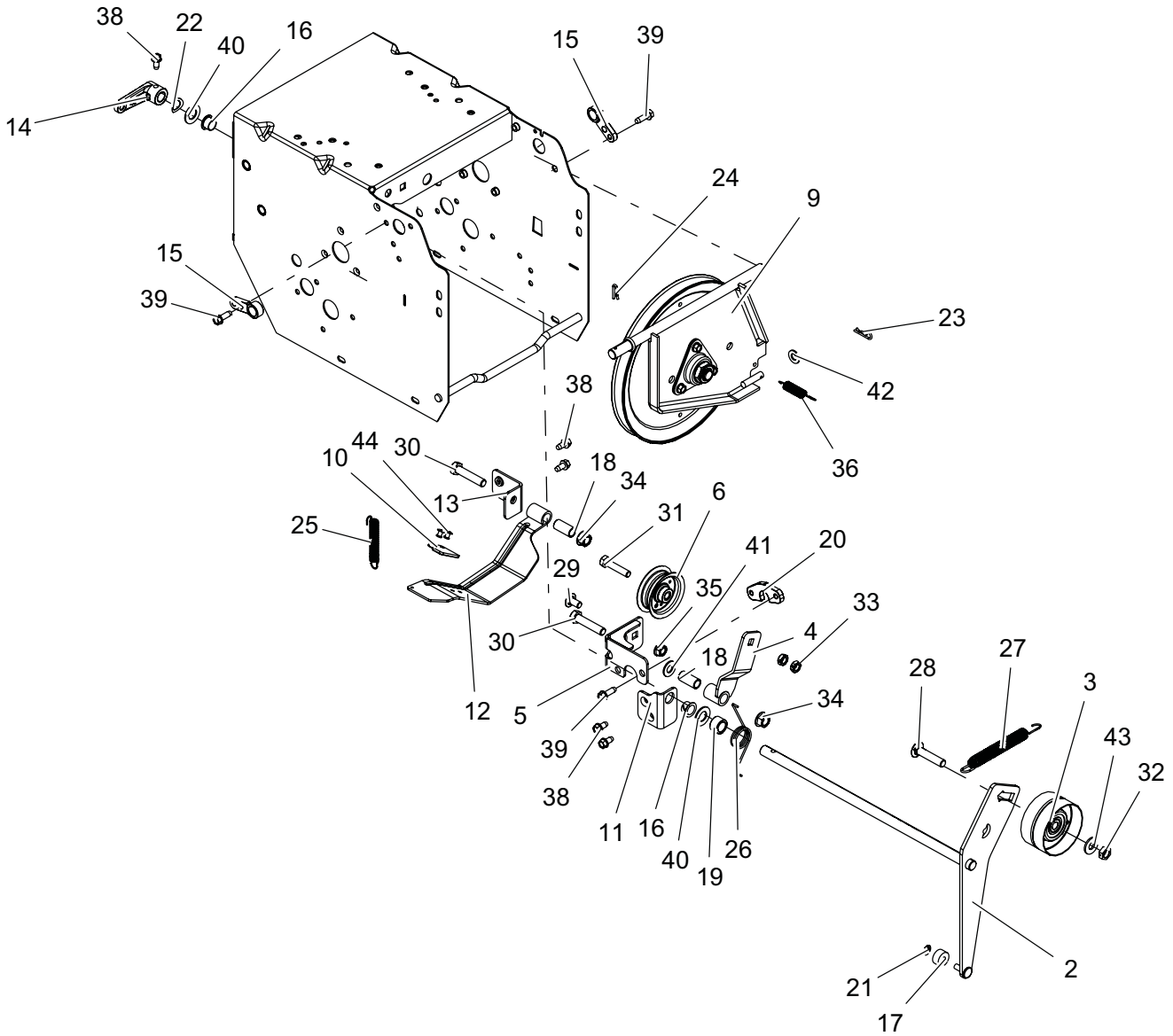
Service Part
52601500 - Pinion, Sprocket w/Bushings
(includes items 5 and 16)

BOM ID	Number	Qty	Description
1	00383100	1	CARRIER, DRIVE DISK
2	02466200	1	CHAIN, ROLLER - #41 w/32 PITCHES
3	04655300	1	WLDMT, SHIFT FORK
4	00170800	1	DISC, FRICTION
5	00190600	1	PINION, SPROCKET
6	00383000	2	FLANGE, BRG
7	00503500	1	TAB, ANTI - ROTATION
9	04092600	1	SPROCKET, PINION 7T W/SPLINE
10	04512900	1	SHAFT, PINION
11	04671900	1	BRKT, FORMED - SHIFT FORK
12	05500026	1	BUSHING, POLYLINER - .50 SPLIT
13	05500028	1	BSHG, POLYLINER - .50 SNAP-IN
14	05500029	1	SPCR, .635 X .880 X .611

BOM ID	Number	Qty	Description
15	05500035	1	BSHG, SLV, .635X.880X.305
16	05500111	2	BSHG, FLG .625 X .750 X .500 X .875
17	06714500	4	PIN, SPRING CLIP
18	06944800	2	CLIP, SPRING
19	07061300	1	ZERK, FITTING .25X.125 DRIVE IN
20	07400009	3	SCR, TAP SERRDHDTX .31-18X.50BP
21	05435200	2	BRG-BALL .437X1.375X.437
22	05800205	1	PIN-GRV .125X1.00 TP E
23	07400034	7	SCR-TAP .25-20X.50 HWH TR YWZ
24	06436100	1	WSHR-FL-STL .630X1.005X.062 YWZC
25	06439200	1	WSHR-FL-STL .505X1.00X.062 YWZC
26	04512800	1	SHAFT, HEX -W/SPLINE TRACK

SWING PLATE

Model All

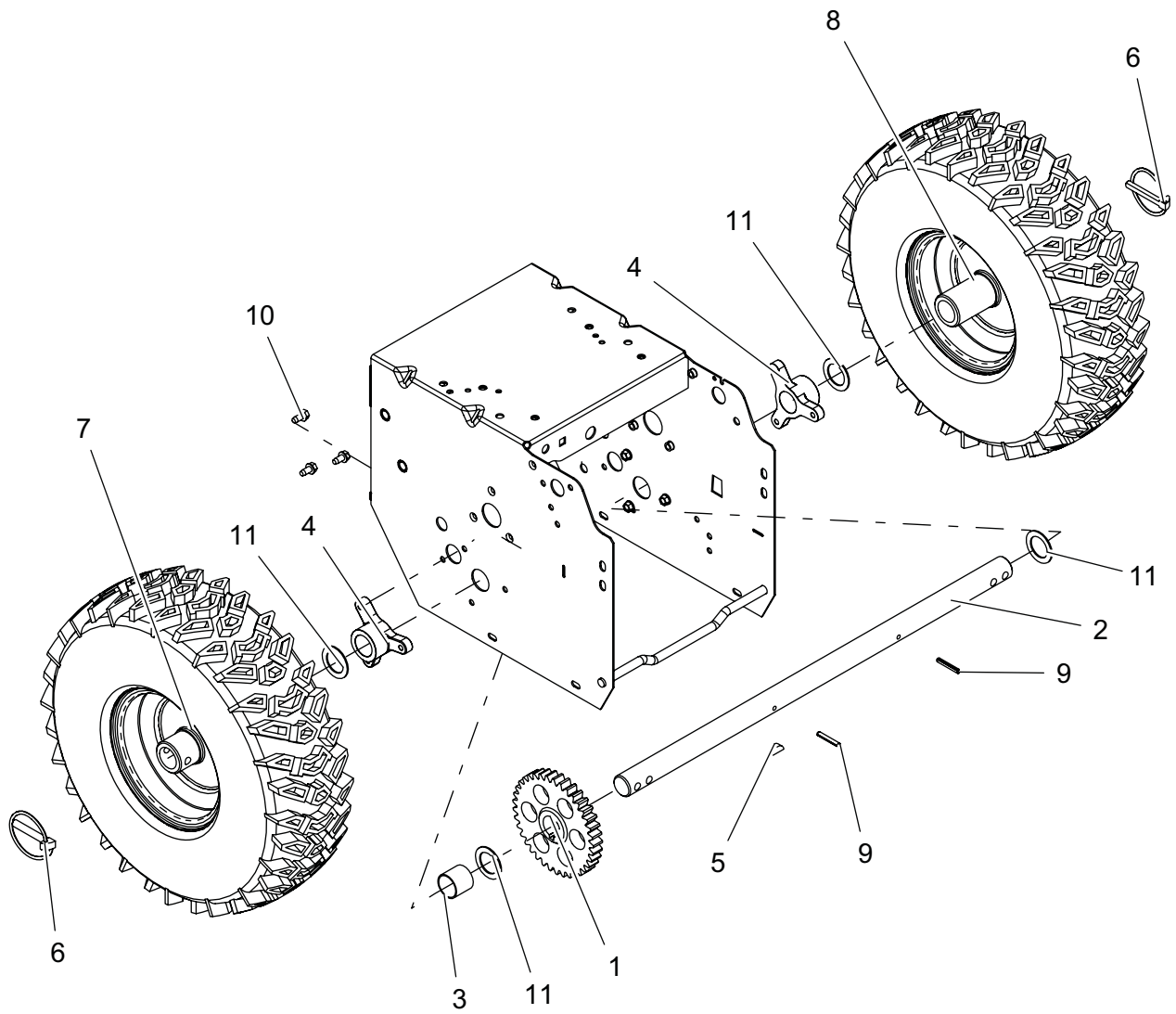


BOM ID	Number	Qty	Description
2	02956767	1	WLDMT, ATTACHMENT IDLER ARM
3	07333500	1	IDLER, FLAT -2.75 OD X .375 ID
4	00493667	1	WLDMT, TRACTION IDLER ARM
5	00657059	1	WLDMT, FRAME BRKT
6	52007000	1	KIT, FLAT IDLER
9	52105000	1	PLATE, SWING-ASSY
10	00180500	1	PAD, BRAKE
11	00495051	1	BRKT, MOUNT - IDLER ARM
12	52000500	1	ARM, BRAKE W/PAD
13	00657551	1	BRKT, BRAKE MOUNT
14	01987100	1	ARM, CLUTCH - ATTACHMENT
15	03374500	2	SUPPORT, BSHG, SWING GATE
16	05500026	2	BUSHING, POLYLINER - .50 SPLIT
17	05500037	1	BSHG, SLV .265 X .625 X .375
18	05500106	2	BSHG, SLV .385 X .500 X 1.045
19	05500107	1	BSHG, SLV .510 X .751 X .475
20	05500113	1	SPCR, SWING GATE
21	05717600	1	RG-RTNG-EXT .250 X .010
22	06400005	1	WSHR, WAVE .50X.75X.015 .13FRHT
23	06713500	1	PIN, HAIR INT .08X.18X1.18 YWZC
24	06944800	1	CLIP, SPRING

BOM ID	Number	Qty	Description
25	08300103	1	SPRG, EXTENSION
26	08300326	1	SPRG, TORSION
27	08300538	1	SPRG, EXTENSION
28	06200111	1	BLT-RHDSSQNK .38-16X1.75 G5YZ
29	06212200	1	BLT-RHDSSQNK .31-18X.62 G5YZ
30	05958500	2	BLT-HEX .38-16X1.75 GR5 YWZC
31	05952400	1	BLT-HEX .31-18X1.50 GR5 YWZC
32	06537200	1	@NUT-LK-CTR-JAM .375-16 YWZC
33	06500011	2	@NUT-LK-CTR-JAM .31-18 YWZC
34	06542000	2	NUT, LK-TOP-FLG .38-16 YWZC
35	06543100	1	NUT, LK-TOP-FLG .312-18 YWZC
36	08300036	1	SPRG, EXTENSION
38	07400034	5	SCR-TAP .25-20X.50 HWH TR YWZ
39	07400111	3	SCR-TAP .25-20X.75 HWH TR YWZ
40	06425300	2	WSHR-FL-STL .531X1.000X.063 YWZC
41	06436200	1	WSHR-FL-STL .406X.812X.065 YWZ
42	06437200	1	WSHR-FL-STL .344X.688X.065 YWZC
43	06435700	1	WSHR-FL-STL .38X.875X.083 YWZC
44	06800028	2	RVT-POP .187x.250 (#64) YWZC

WHEELS AND AXLES

Model 921024



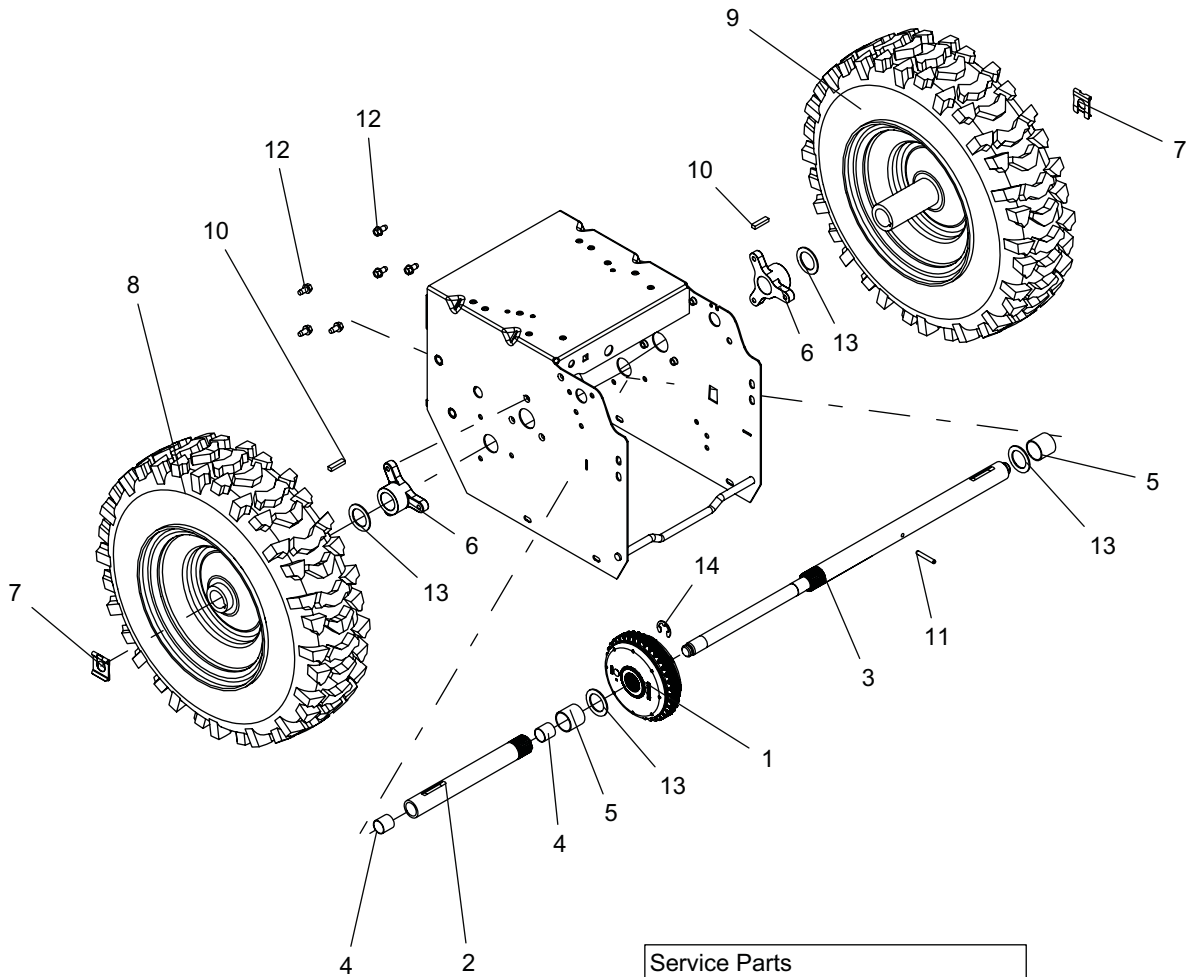
Service Part
07100726 - Tire, 15 x 5.00-6 K478

BOM ID	Number	Qty	Description
1	00371000	1	GEAR, SPUR
2	00658100	1	AXLE, SOLID
3	05500122	1	BSHG, SLV 1.012 X 1.125 X 1.00
4	05500829	2	BSHG, AXLE
5	06601200	1	KEY, WDRF .25X.750X.313 SAE91
6	07015800	2	PIN, LOCK .31X2.00

BOM ID	Number	Qty	Description
7	07100225	1	TIRE/WHEEL, RH 15X5.00-6 PIN
8	07100226	1	TIRE/WHEEL, LH 15X5.00-6 PIN
9	05800300	2	PIN-ROLL .188X1.25
10	07400034	6	SCR-TAP .25-20X.50 HWH TR YWZ
11	06436300	4	WSHR-FL-STL 1.010X1.505X.062 YWZC

WHEELS AND AXLES

Model 921028, 029, 032, 035



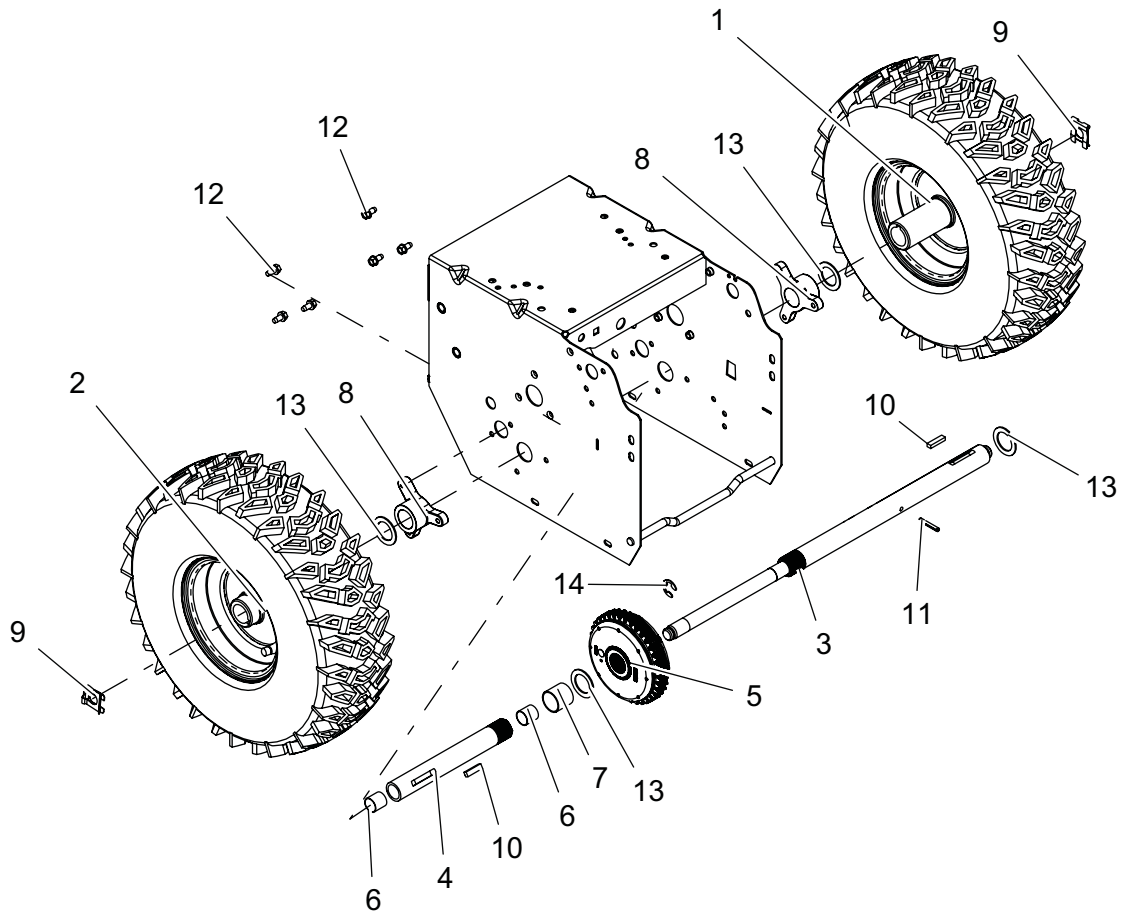
Service Parts
 07100727 - Tire, 16 x 4.80-8 K478
 52105800 - Axle, Short w/Bushings
 (includes items 2 and 4)

BOM ID	Number	Qty	Description
1	04584100	1	DIFFERENTIAL, AUTOMATIC
2	04593700	1	AXLE, SHORT - DIFFERENTIAL
3	04685000	1	AXLE, LONG - DIFFERENTIAL
4	05500023	2	BSHG, SLV .706 X .764 X .75 BRZ
5	05500122	2	BSHG, SLV 1.012 X 1.125 X 1.00
6	05500829	2	BSHG, AXLE
7	05700001	2	CLIP, SNAP - .625
8	07100229	1	TIRE/WHEEL, RH 16X4.80-8 KEY

BOM ID	Number	Qty	Description
9	07100230	1	TIRE/WHEEL, LH 16X4.80-8 KEY
10	06600002	2	KEY, RECT .25X.188X1.00
11	05800300	1	PIN-ROLL .188X1.25
12	07400034	6	SCR-TAP .25-20X.50 HWH TR YWZ
13	06436300	4	WSHR-FL-STL 1.010X1.505X.062 YWZC
14	05708300	1	RING, RETAINING-E .625X.042

WHEELS AND AXLES

Model 921030



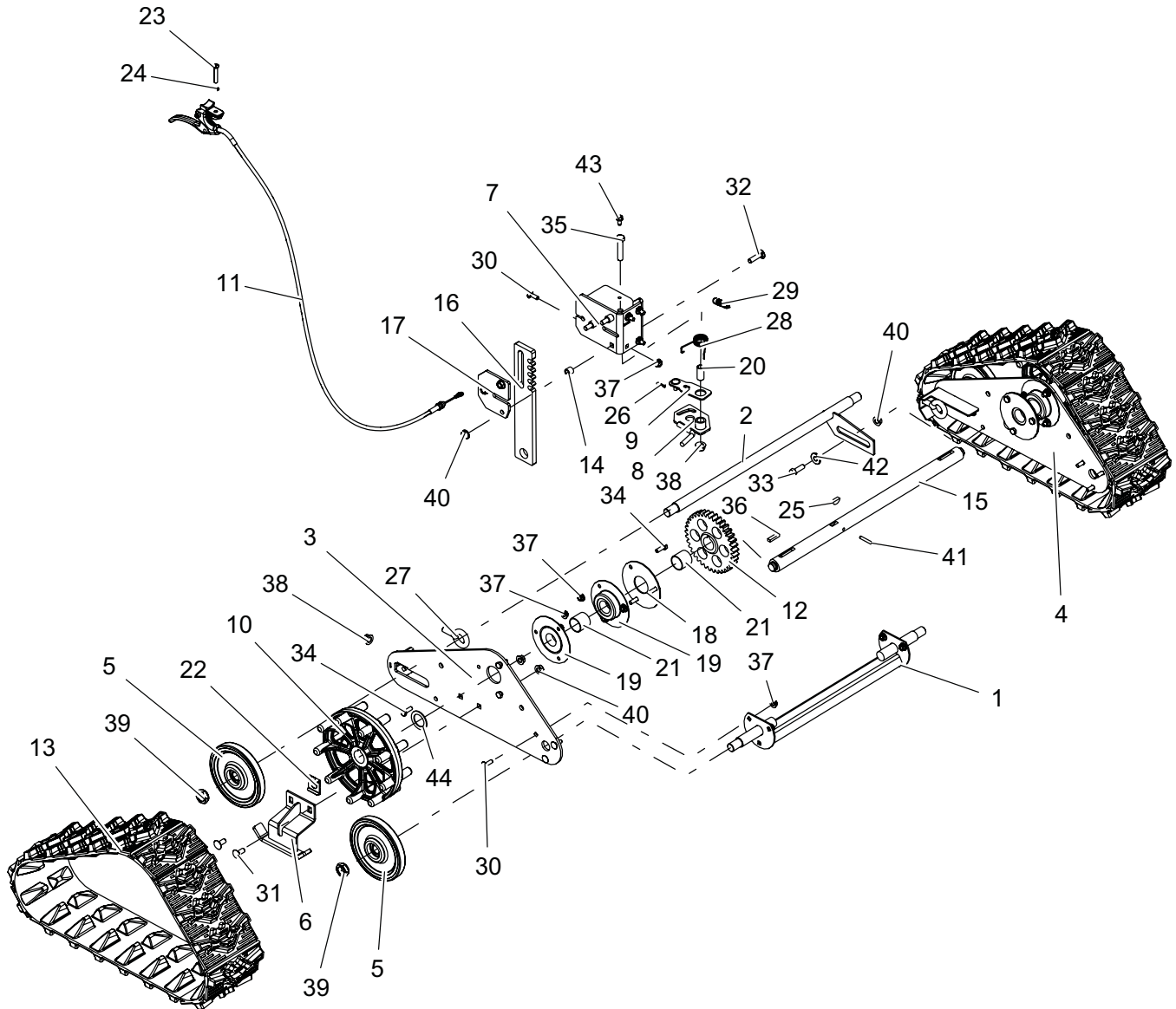
Service Part
 07100726 - Tire, 15 x 5.00-6 K478
 52101200 - Axle, Short w/Bushings
 (includes items 4 and 6)

BOM ID	Number	Qty	Description
1	07100228	1	TIRE/WHEEL, LH 15X5.00-6 REMOTE
2	07100227	1	TIRE/WHEEL, RH 15X5.00-6 REMOTE
3	00865800	1	AXLE, LONG DIFFERENTIAL
4	00865900	1	AXLE, SHORT-DIFFERENTIAL
5	04584100	1	DIFFERENTIAL, AUTOMATIC
6	05500023	2	BSHG, SLV .706 X .764 X .75 BRZ
7	05500122	1	BSHG, SLV 1.012 X 1.125 X 1.00
8	05500829	2	BSHG, AXLE

BOM ID	Number	Qty	Description
9	05700001	2	CLIP, SNAP - .625
10	06600002	2	KEY, RECT .25X.188X1.00
11	05800300	1	PIN-ROLL .188X1.25
12	07400034	6	SCR-TAP .25-20X.50 HWH TR YWZ
13	06436300	4	WSHR-FL-STL 1.010X1.505X.062 YWZC
14	05708300	1	RING, RETAINING-E .625X.042

TRACK

Model 921023

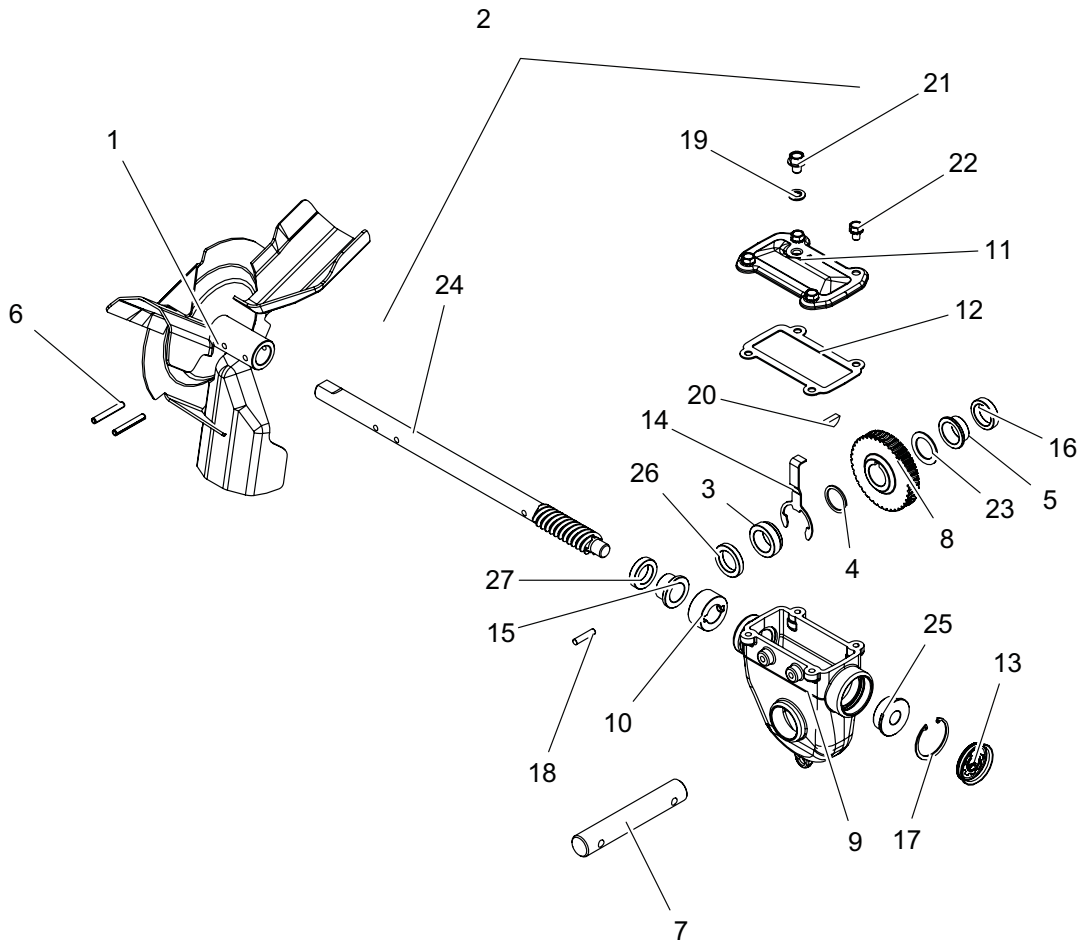


BOM ID	Number	Qty	Description
1	03275800	1	AXLE, FRONT -DELUXE TRACK
2	03293700	1	AXLE, REAR - DELUXE TRACK
3	03375751	1	SIDE, PLATE RH-DELUXE TRACK
4	03375851	1	SIDE, PLATE LH- DELUXE TRACK
5	03293600	4	WHEEL, BOGIE - SINGLE BEARING
6	00660751	2	RUNNER, GUIDE TRACK
7	03293951	1	BRKT, HEIGHT ADJUSTER
8	03294000	1	LOCK, HEIGHT ADJUSTER
9	03376200	1	ARM, OVER TRAVEL
10	04520000	2	WHEEL, DRIVE TRACK - MACHINED
11	06900510	1	CABLE, TRACK REMOTE
12	00371000	1	GEAR, SPUR
13	00669700	2	TRACK, RUBBER
14	01103100	3	SPCR, .50 X .32 X .42
15	03291500	1	AXLE, TRACK -DELUXE
16	03293851	1	STOP, HEIGHT ADJUSTER - DELUXE
17	03294151	1	PLATE, HEIGHT ADJUSTER
18	03389051	2	PLATE, BEARING SPACER
19	05400706	4	BRG, FLANGE 1.003/1.000 3 BOLT
20	05500106	1	BSHG, SLV .385 X .500 X 1.045
21	05500122	3	BSHG, SLV 1.012 X 1.125 X 1.00
22	05700001	2	CLIP, SNAP - .625
23	06100007	1	SCR, -- MCH .25-20X1.50 OVAL HD

BOM ID	Number	Qty	Description
24	06305200	1	WSHR, LK-INT .250 TH TYA
25	06601200	1	KEY, WDRF .25X.750X.313 SAE91
26	06701900	1	PIN-HAIR INT .06X.18X.77
27	07000040	2	BLT, EYE .375-16X.880 YWZC
28	08300015	1	SPRG, TORSION
29	08300103	1	SPRG, EXTENSION
30	06219900	10	BLT-RDHDSQNK .25-20X.75 G5 YWZC
31	06215700	4	BLT-RDHDSQNK .31-18X.75 G5 YWZC
32	06200008	3	BLT-RDHDSQSHNK .31-18X1.25 G5YWZC
33	05946900	1	BLT-HEX .31-18X1.00 GR5 YWZC
34	05946800	12	BLT-HEX .25-20X.75 GR5 YWZC
35	05958500	1	BLT-HEX .38-16X1.75 GR5 YWZC
36	06600002	2	KEY, RECT .25X.188X1.00
37	06500710	22	NUT, LK-CTR-FLG .25-20 YWZC
38	06534800	3	NUT, LK-CTR-FLG .38-16 YWZC
39	06530300	4	@NUT-LK-NYL .625-18 YWZC
40	06543100	8	NUT, LK-TOP-FLG .312-18 YWZC
41	05800300	1	PIN-ROLL .188X1.25
42	05501127	1	BSHG, FLG .325X.499X.3X.875
43	07400034	1	SCR-TAP .25-20X.50 HWH TR YWZ
44	06436300	2	WSHR-FL-STL 1.010X1.505X.062 YWZC

GEAR CASE AND IMPELLER

Model All



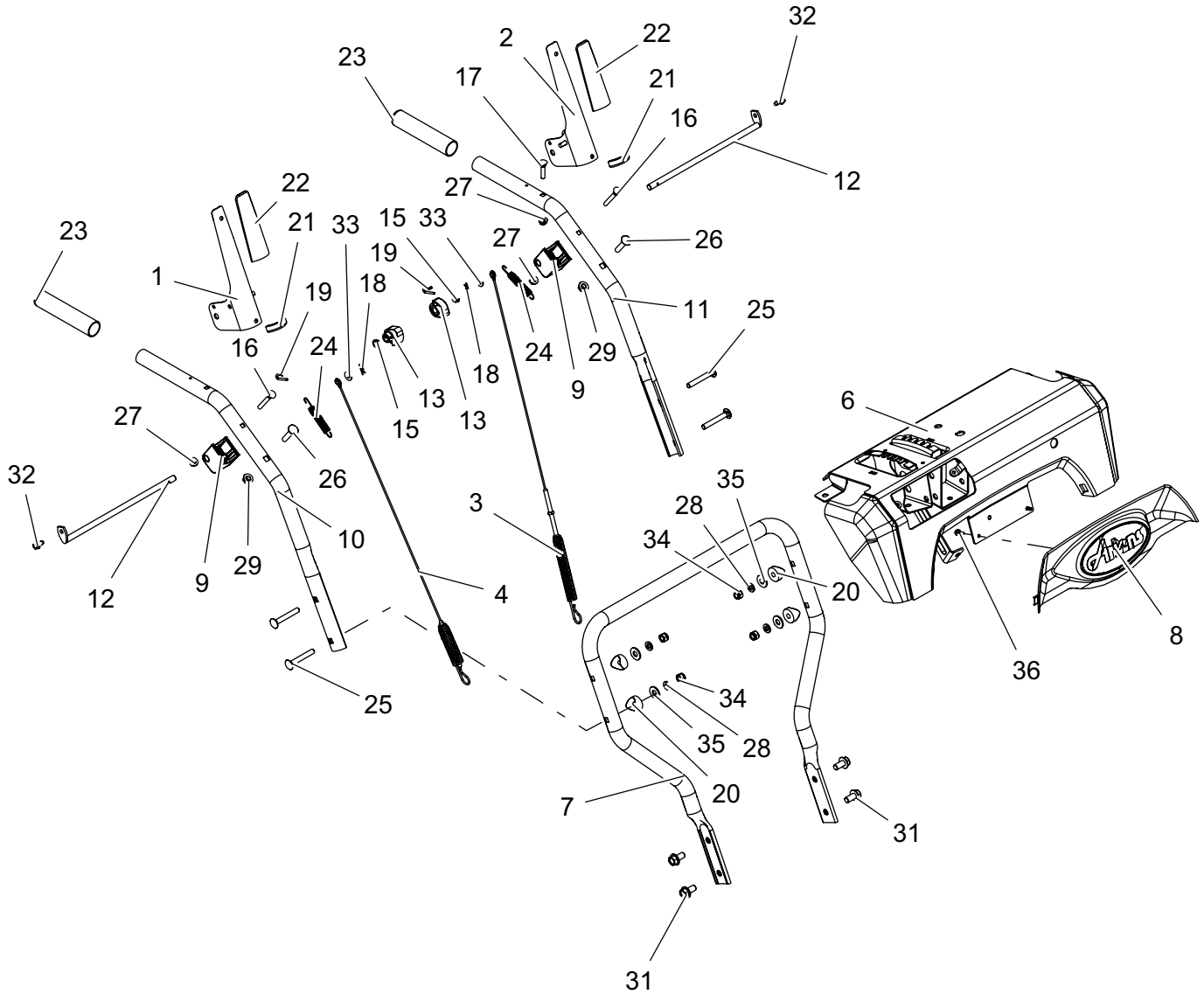
Service Part
00068800 - Gear Lube, 8 oz Bottle

BOM ID	Number	Qty	Description
1	00485551	1	IMPELLER, SNO - 3 BLADE 14"
2	52104100	1	CASE, GEAR - DELUXE
3	05501033	1	BSHG, FLG LARGE, RIGHT
4	06400332	1	WSHR-FL-STL 1.010X1.250X.068 YWZC
5	05501025	1	BSHG, FLANGE 1.006 x 1.128 x .555 x 1.45
6	05803700	2	PIN-ROLL .250X1.75
7	00485400	1	SHAFT, RAKE - SHORT COMMON
8	52104000	1	ASM, WORM SHAFT AND WORM GEAR
9	04276900	1	CASE, GEAR - LARGE MACHINED
10	04277100	1	COLLAR, THRUST - .875" ID SLIP FIT
11	04280351	1	COVER, TOP LARGE IRON
12	04282500	1	GSKT, TOP LARGE GEARCASE
13	04302900	1	COVER, FRONT - GEAR CASE 1.75"
14	04323700	1	BSHG, RETAINER LARGE

BOM ID	Number	Qty	Description
15	05501024	1	BSHG, FLANGE .879X1.128X.75X1.45
16	05600511	1	SEAL, OIL .999X1.375X.312 TBC29
17	05702100	1	RG-RTNG-INT 1.750X.062
18	05800208	1	PIN, STR .250X1.12 6150
19	06400920	1	WASHER-FLAT-STL, SEAL
20	06608800	1	KEY, WDRF - .25X.875 HRD #A
21	07400110	1	@, SCR-ROLOK .38-16X.50 HWH YWZC
22	05901509	4	BOLT, SEMS - .31-18X5.0 GR5 YWZC
23	06436300	1	WSHR-FL-STL 1.010X1.505X.062 YWZC
24	52104000	1	ASM, WORM SHAFT AND WORM GEAR
25	05501027	1	BSHG, FLANGE .628 x 1.503 x .58 x 1.725
26	05600510	1	SEAL, OIL .999X1.500X.250 TBC29
27	05600512	1	SEAL, OIL .873X1.375X.312 TBC29

HANDLEBARS

Model 921023

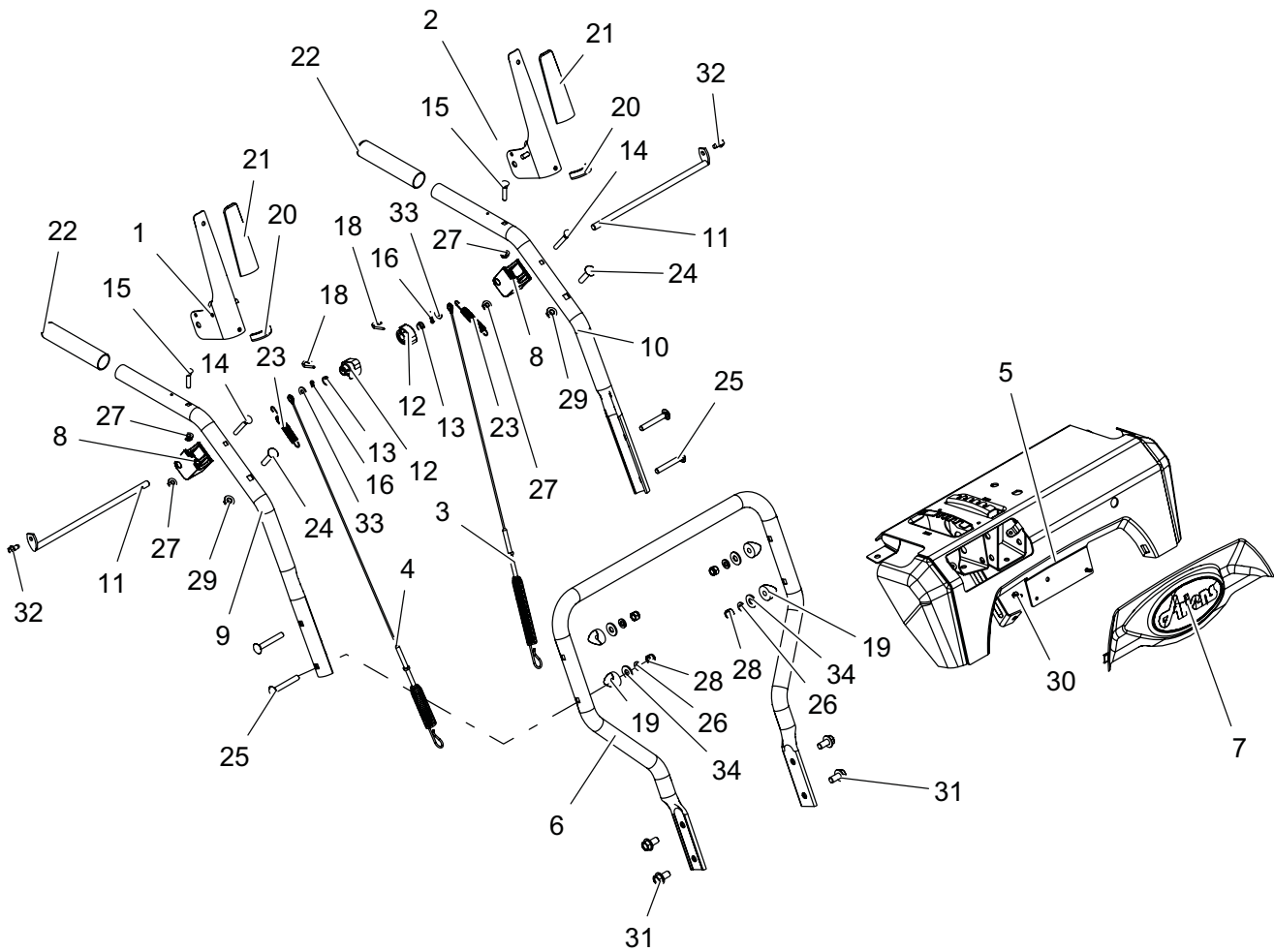


BOM ID	Number	Qty	Description
1	04310551	1	WLDMT, CLUTCH HANDLE - RH
2	04310451	1	WLDMT, CLUTCH HANDLE - LH
3	06900502	1	CABLE, UPPER TRACTION
4	06900439	1	CABLE, AUGER (DELUXE & PRO)
6	52104600	1	PANEL, CONTROL W/ 08000715 DECAL
7	00866251	1	HANDLEBAR, LOWER
8	04304400	1	BEZEL, DASH - ARIENS LOGO - LARGE
9	04310100	2	BLOCK, CLUTCH HANDLE
10	04318151	1	HANDLEBAR, UPPER - RH
11	04318251	1	HANDLEBAR, UPPER - LH
12	04320600	2	ROD, PADDLE MOUNT - PRO
13	04322100	2	CAM, INTERLOCK
15	05500020	2	BSHG, POLYLINER-.38 SNAPIN
16	06209300	2	BLT, RDHDXLSQNK .25-20X2.0 G5YZ
17	06220100	1	BLT, RDHDXLSQNK .25-20X1.25 G5YZ
18	06701900	2	PIN-HAIR INT .06X.18X.77
19	06714500	2	PIN, SPRING CLIP

BOM ID	Number	Qty	Description
20	07500005	4	SPCR, HANDLEBAR
21	07500103	2	STRIP, EDGE - CLUTCH HANDLE
22	07500211	2	SLV, CLUTCH HANDLE
23	07500239	2	GRIP, HANDLE
24	08300527	2	SPRG, EXTENSION
25	06221600	4	BLT-RDHDSQNK .31-18X2.25 G5 Y
26	06212100	2	BLT-RDHDSQNK .31-18X1.50 G5 YWZC
27	06500710	3	NUT, LK-CTR-FLG .25-20 YWZC
28	06307400	4	WSHR-LK .31X.097 HVY YWZC
29	06543100	2	NUT, LK-TOP-FLG .312-18 YWZC
31	07028500	4	BLT-SERHFVH .38-16X.75 YWZC
32	07400034	2	SCR-TAP .25-20X.50 HWH TR YWZ
33	06437300	2	WSHR-FL-STL.281X.62X.065 YWZC
34	06530200	4	NUT-LK-NYL .312-18 YWZC
35	06435700	4	WSHR-FL-STL.38X.875X.083 YWZC
36	07400107	2	SCR-TAP #10X.500 BOSS INDHXHD

HANDLEBARS

Model 921030

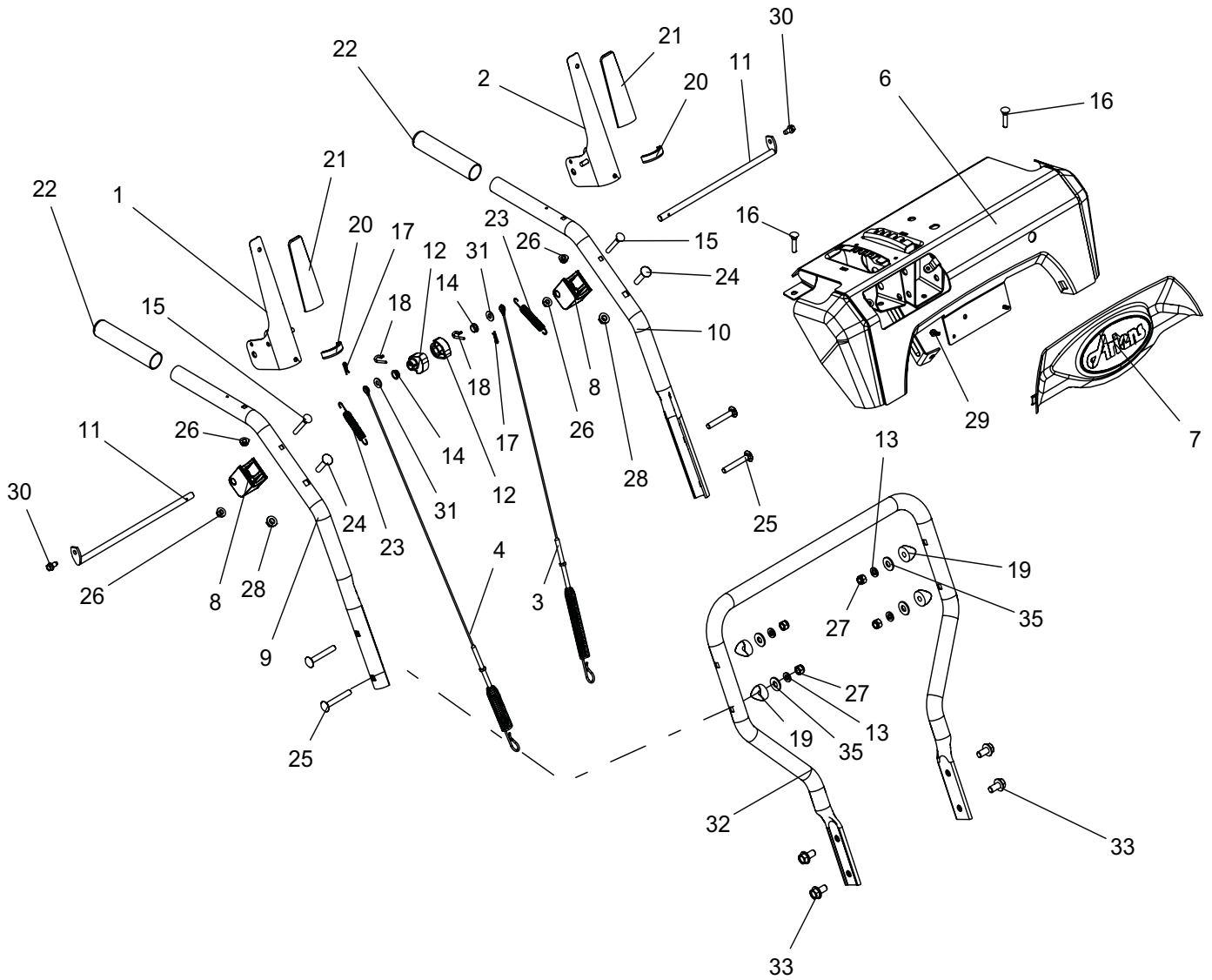


BOM ID	Number	Qty	Description
1	04310551	1	WLDMT, CLUTCH HANDLE - RH
2	04310451	1	WLDMT, CLUTCH HANDLE - LH
3	06900502	1	CABLE, UPPER TRACTION
4	06900439	1	CABLE, AUGER (DELUXE & PRO)
5	52105900	1	PANEL, CONTROL W/ 08000903 DECAL
6	00866251	1	HANDLEBAR, LOWER
7	04304400	1	BEZEL, DASH - ARIENS LOGO - LARGE
8	04310100	2	BLOCK, CLUTCH HANDLE
9	04318151	1	HANDLEBAR, UPPER - RH
10	04318251	1	HANDLEBAR, UPPER - LH
11	04320600	2	ROD, PADDLE MOUNT - PRO
12	04322100	2	CAM, INTERLOCK
13	05500020	2	BSHG, POLYLINER-.38 SNAPIN
14	06209300	2	BLT, RDHDXLSQNK .25-20X2.0 G5YZ
15	06220100	2	BLT, RDHDXLSQNK .25-20X1.25 G5YZ
16	06701900	2	PIN-HAIR INT .06X.18X.77
18	06714500	2	PIN, SPRING CLIP

BOM ID	Number	Qty	Description
19	07500005	4	SPCR, HANDLEBAR
20	07500103	2	STRIP, EDGE - CLUTCH HANDLE
21	07500211	2	SLV, CLUTCH HANDLE
22	07500239	2	GRIP, HANDLE
23	08300527	2	SPRG, EXTENSION
24	06212100	2	BLT-RDHDXSQNK .31-18X1.50 G5 YWZC
25	06221600	4	BLT-RDHDSQNK .31-18X2.25 G5 Y
26	06307400	4	WSHR-LK .31X.097 HVY YWZC
27	06500710	4	NUT, LK-CTR-FLG .25-20 YWZC
28	06530200	4	NUT-LK-NYL .312-18 YWZC
29	06543100	2	NUT, LK-TOP-FLG .312-18 YWZC
30	07400107	2	SCR-TAP #10X.500 BOSS INDHXHD
31	07028500	4	BLT-SERHFWH .38-16X.75 YWZC
32	07400034	2	SCR-TAP .25-20X.50 HWH TR YWZ
33	06437300	2	WSHR-FL-STL.281X.62X.065 YWZC
34	06435700	4	WSHR-FL-STL.38X.875X.083 YWZC

HANDLEBARS

Model 921024

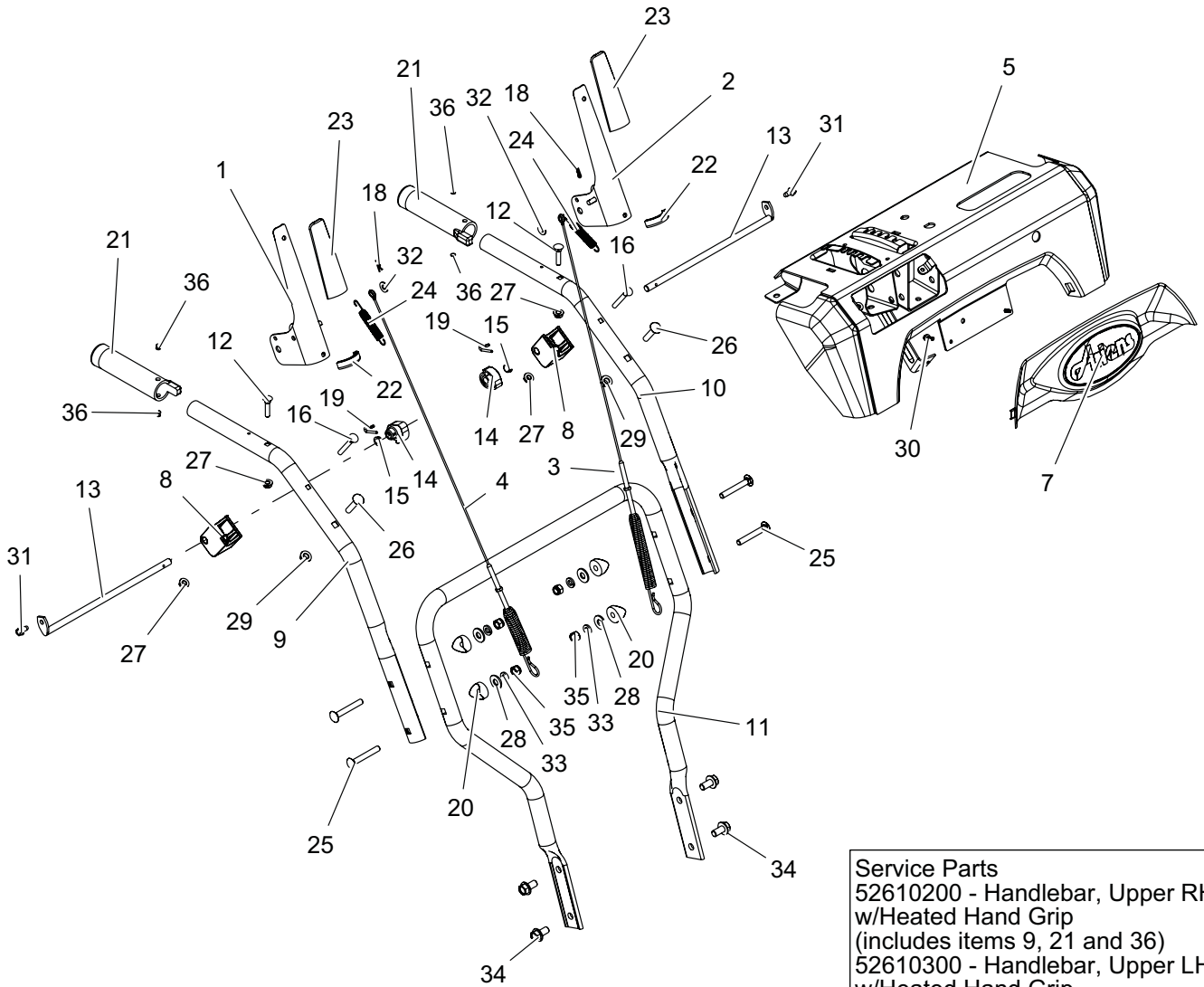


BOM ID	Number	Qty	Description
1	04310551	1	WLDMT, CLUTCH HANDLE - RH
2	04310451	1	WLDMT, CLUTCH HANDLE - LH
3	06900502	1	CABLE, UPPER TRACTION
4	06900439	1	CABLE, AUGER (DELUXE & PRO)
6	52103900	1	PANEL, CONTROL W/ 08000713 DECAL
7	04304400	1	BEZEL, DASH - ARIENS LOGO - LARGE
8	04310100	2	BLOCK, CLUTCH HANDLE
9	04318151	1	HANDLEBAR, UPPER - RH
10	04318251	1	HANDLEBAR, UPPER - LH
11	04320600	2	ROD, PADDLE MOUNT - PRO
12	04322100	2	CAM, INTERLOCK
13	06307400	4	WSHR-LK .31X.097 HVY YWZC
14	05500020	2	BSHG, POLYLINER-.38 SNAPIN
15	06209300	2	BLT, RDHDXLSQNK .25-20X2.0 G5YZ
16	06220100	2	BLT, RDHDXLSQNK .25-20X1.25 G5YZ
17	06701900	2	PIN-HAIR INT .06X.18X.77
18	06714500	2	PIN, SPRING CLIP

BOM ID	Number	Qty	Description
19	07500005	4	SPCR, HANDLEBAR
20	07500103	2	STRIP, EDGE - CLUTCH HANDLE
21	07500211	2	SLV, CLUTCH HANDLE
22	07500239	2	GRIP, HANDLE
23	08300527	2	SPRG, EXTENSION
24	06212100	2	BLT-RDHDSQNK .31-18X1.50 G5 YWZC
25	06221600	4	BLT-RDHDSQNK .31-18X2.25 G5 Y
26	06500710	4	NUT, LK-CTR-FLG .25-20 YWZC
27	06530200	4	NUT-LK-NYL .312-18 YWZC
28	06543100	2	NUT, LK-TOP-FLG .312-18 YWZC
29	07400107	2	SCR-TAP #10X.500 BOSS INDHXHD
30	07400034	2	SCR-TAP .25-20X.50 HWH TR YWZ
31	06437300	2	WSHR-FL-STL.281X.62X.065 YWZC
32	00866251	1	HANDLEBAR, LOWER
33	07028500	4	BLT-SERHFWH .38-16X.75 YWZC
35	06435700	4	WSHR-FL-STL.38X.875X.083 YWZC

HANDLEBARS

Model 921028, 029



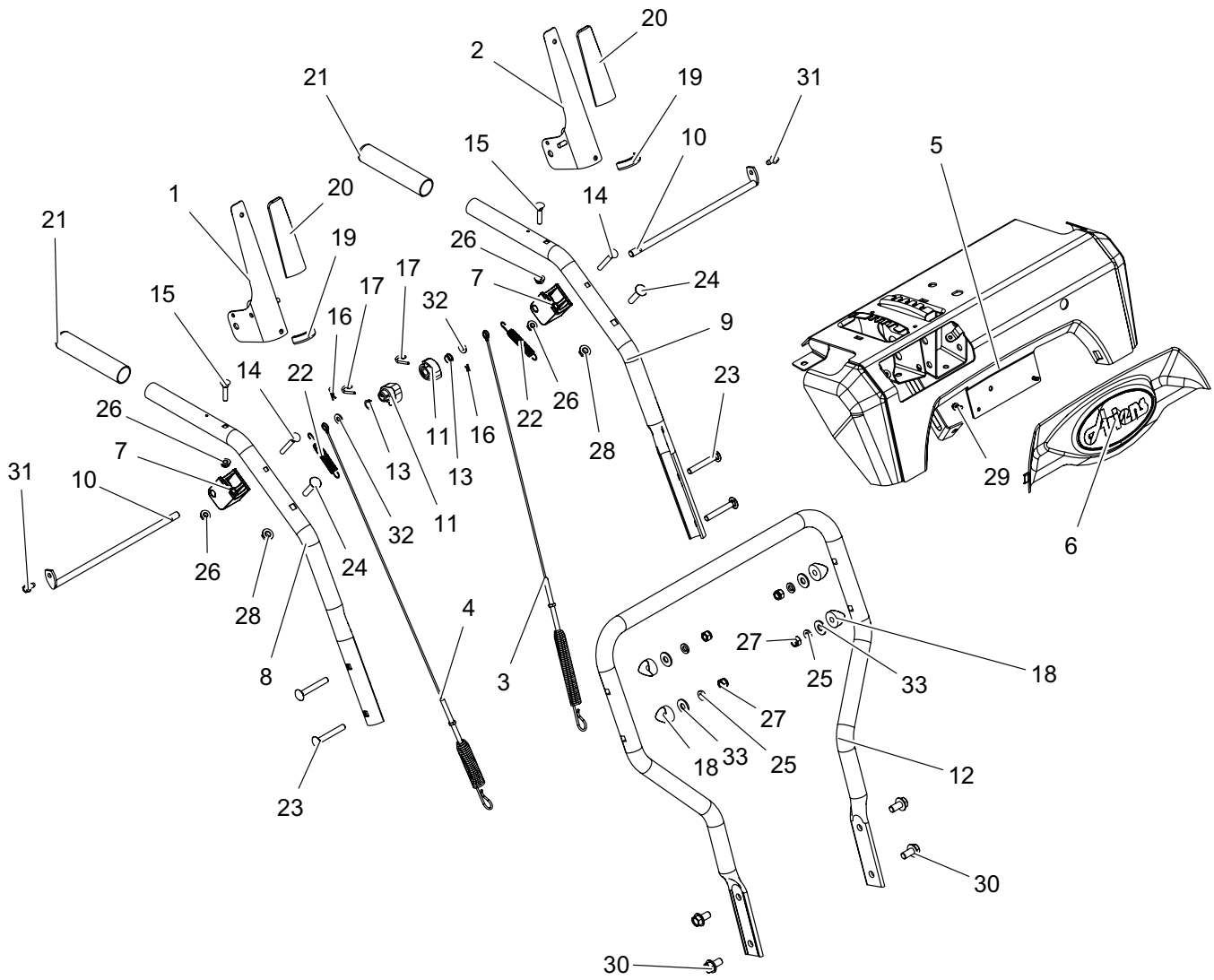
Service Parts
 52610200 - Handlebar, Upper RH
 w/Heated Hand Grip
 (includes items 9, 21 and 36)
 52610300 - Handlebar, Upper LH
 w/Heated Hand Grip
 (includes items 10, 21 and 36)

BOM ID	Number	Qty	Description
1	04310551	1	WLDMT, CLUTCH HANDLE - RH
2	04310451	1	WLDMT, CLUTCH HANDLE - LH
3	06900502	1	CABLE, UPPER TRACTION
4	06900439	1	CABLE, AUGER (DELUXE & PRO)
5	52612500	1	PANEL, CONTROL W/08000901 DECAL
7	04304400	1	BEZEL, DASH - ARIENS LOGO - LARGE
8	04310100	2	BLOCK, CLUTCH HANDLE
9	04318151	1	HANDLEBAR, UPPER - RH
10	04318251	1	HANDLEBAR, UPPER - LH
11	04584751	1	HANDLEBAR, LOWER
12	06220100	2	BLT, RDHDXLSQNK .25-20X1.25 G5YZ
13	04320600	2	ROD, PADDLE MOUNT - PRO
14	04322100	2	CAM, INTERLOCK
15	05500020	2	BSHG, POLYLINER-.38 SNAPIN
16	06209300	2	BLT, RDHDXLSQNK .25-20X2.0 G5YZ
18	06701900	2	PIN-HAIR INT .06X.18X.77
19	06714500	2	PIN, SPRING CLIP
20	07500005	4	SPCR, HANDLEBAR

BOM ID	Number	Qty	Description
21	07500015	2	GRIP, HANDLE - HEATED
22	07500103	2	STRIP, EDGE - CLUTCH HANDLE
23	07500211	2	SLV, CLUTCH HANDLE
24	08300527	2	SPRG, EXTENSION
25	06221600	4	BLT-RDHDLSQNK .31-18X2.25 G5 Y
26	06212100	2	BLT-RDHDLSQNK .31-18X1.50 G5 YWZC
27	06500710	4	NUT, LK-CTR-FLG .25-20 YWZC
28	06435700	4	WSHR-FL-STL.38X.875X.083 YWZC
29	06543100	2	NUT, LK-TOP-FLG .312-18 YWZC
30	07400107	2	SCR-TAP #10X.500 BOSS INDHXHD
31	07400034	2	SCR-TAP .25-20X.50 HWH TR YWZ
32	06437300	2	WSHR-FL-STL.281X.62X.065 YWZC
33	06307400	4	WSHR-LK .31X.097 HVY YWZC
34	07028500	4	BLT-SERHFWH .38-16X.75 YWZC
35	06530200	4	NUT-LK-NYL .312-18 YWZC
36	06800038	4	RVT-POP #43 .125x.313 STL ZINC

HANDLEBARS

Model 921032, 035

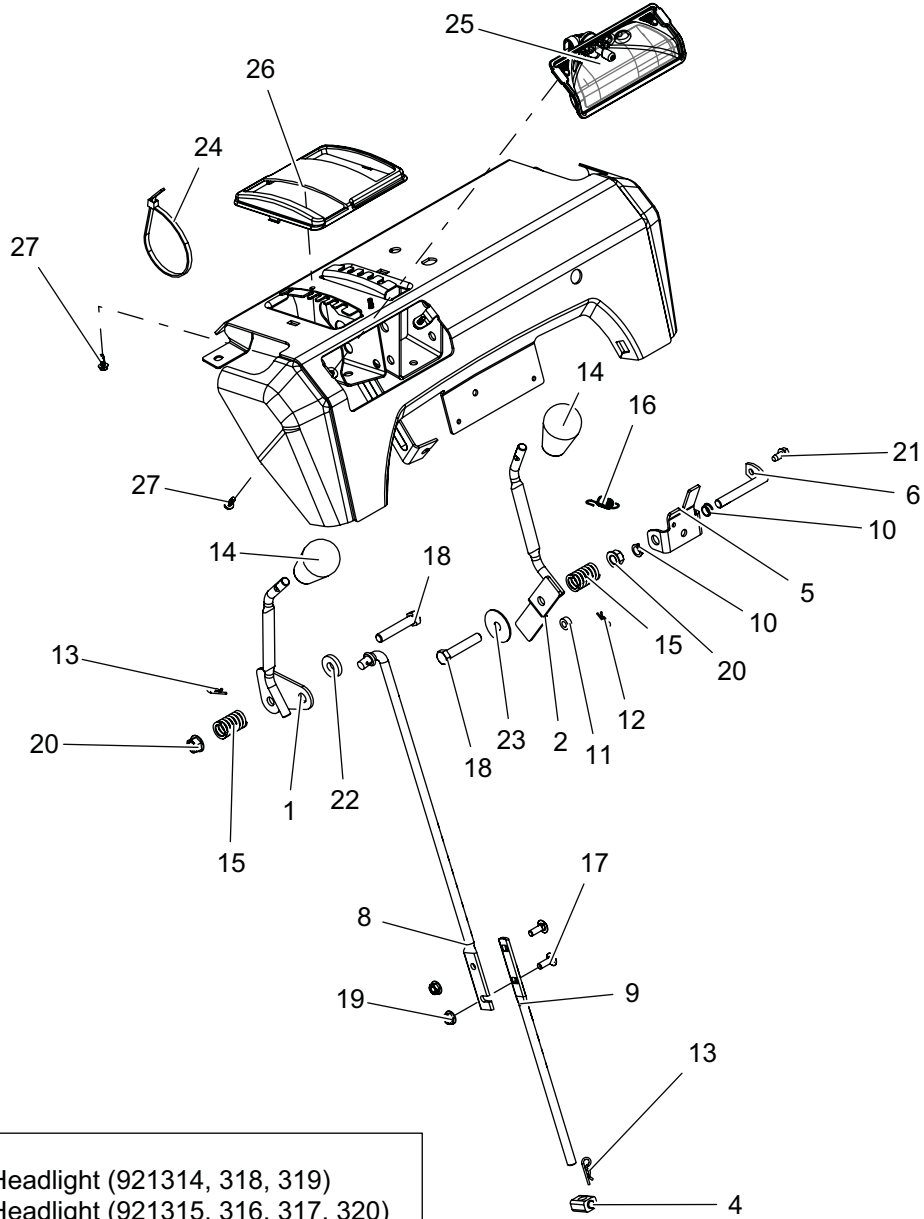


BOM ID	Number	Qty	Description
1	04310551	1	WLDMT, CLUTCH HANDLE - RH
2	04310451	1	WLDMT, CLUTCH HANDLE - LH
3	06900502	1	CABLE, UPPER TRACTION
4	06900439	1	CABLE, AUGER (DELUXE & PRO)
5	52105900	1	PANEL, CONTROL W/ 08000903 DECAL
6	04304400	1	BEZEL, DASH - ARIENS LOGO - LARGE
7	04310100	2	BLOCK, CLUTCH HANDLE
8	04318151	1	HANDLEBAR, UPPER - RH
9	04318251	1	HANDLEBAR, UPPER - LH
10	04320600	2	ROD, PADDLE MOUNT - PRO
11	04322100	2	CAM, INTERLOCK
12	04584751	1	HANDLEBAR, LOWER
13	05500020	2	BSHG, POLYLINER-.38 SNAPIN
14	06209300	2	BLT, RDHDXLSQNK .25-20X2.0 G5YZ
15	06220100	2	BLT, RDHDXLSQNK .25-20X1.25 G5YZ
16	06701900	2	PIN-HAIR INT .06X.18X.77
17	06714500	2	PIN, SPRING CLIP

BOM ID	Number	Qty	Description
18	07500005	4	SPCR, HANDLEBAR
19	07500103	2	STRIP, EDGE - CLUTCH HANDLE
20	07500211	2	SLV, CLUTCH HANDLE
21	07500239	2	GRIP, HANDLE
22	08300527	2	SPRG, EXTENSION
23	06221600	4	BLT-RDHDSQNK .31-18X2.25 G5 Y
24	06212100	2	BLT-RDHDSQNK .31-18X1.50 G5 YWZC
25	06307400	4	WSHR-LK .31X.097 HVY YWZC
26	06500710	4	NUT, LK-CTR-FLG .25-20 YWZC
27	06530200	4	NUT-LK-NYL .312-18 YWZC
28	06543100	2	NUT, LK-TOP-FLG .312-18 YWZC
29	07400107	2	SCR-TAP #10X.500 BOSS INDHXHD
30	07028500	4	BLT-SERHFWH .38-16X.75 YWZC
31	07400034	2	SCR-TAP .25-20X.50 HWH TR YWZ
32	06437300	2	WSHR-FL-STL.281X.62X.065 YWZC
33	06435700	4	WSHR-FL-STL.38X.875X.083 YWZC

CONTROLS

Model 921023, 024, 030, 032, 035



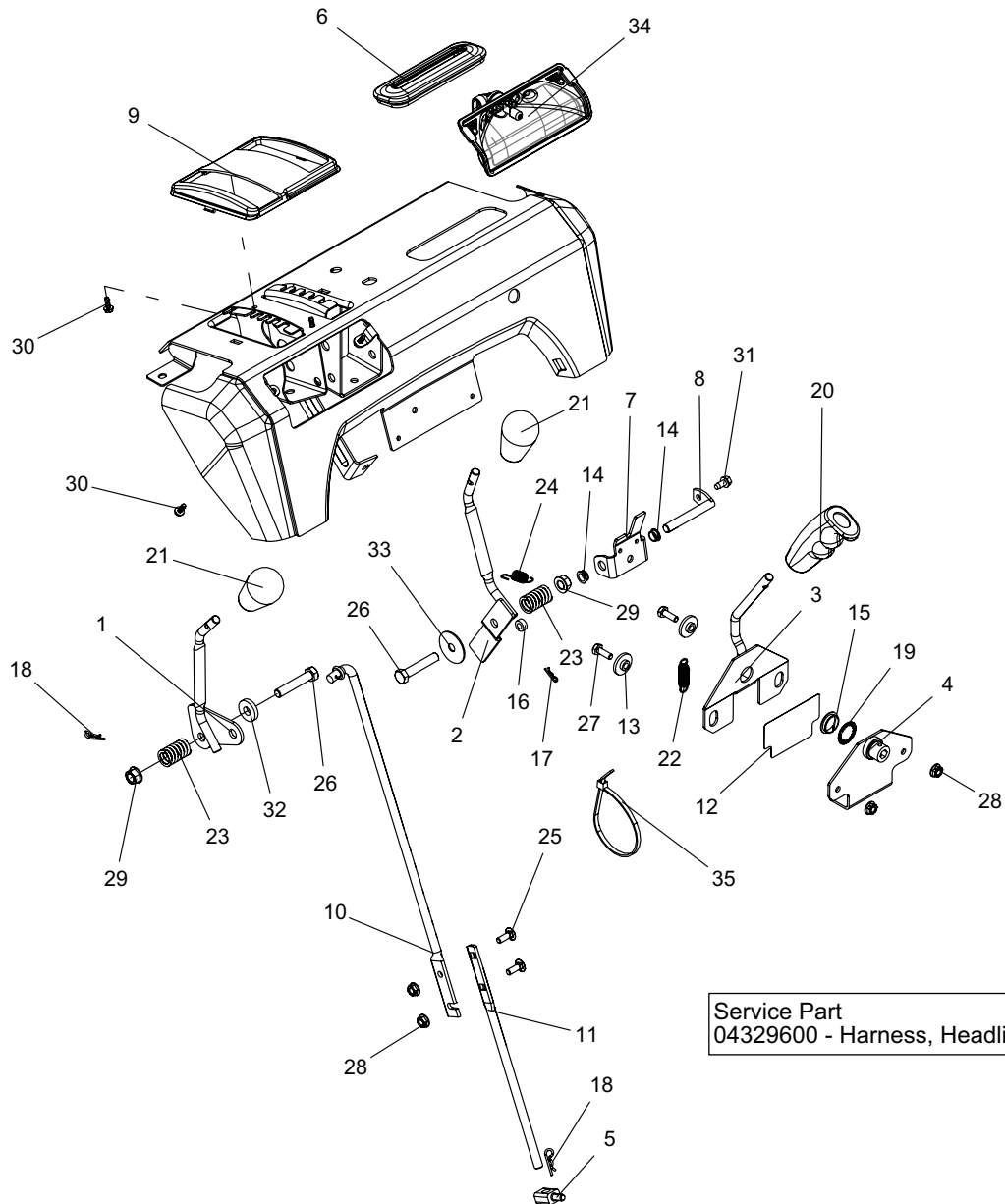
Service Part
 04329500 - Harness, Headlight (921314, 318, 319)
 04329600 - Harness, Headlight (921315, 316, 317, 320)

BOM ID	Number	Qty	Description
1	04320200	1	WLDMT, CONTROL LEVER (SHIFT)
2	04320300	1	WLDMT, CONTROL LEVER (DEFL)
4	00386700	1	PIVOT, SHIFT ROD .375-16 (TRUNN)
5	04320400	1	BRKT, INTERLOCK ARM
6	04320500	1	ROD, PIVOT - INTERLOCK
8	04336367	1	ROD, SHIFT - UPPER
9	04343867	1	ROD, SHIFT - LOWER
10	05500020	2	BSHG, POLYLINER-.38 SNAPIN
11	05501012	1	BSHG, SLV - .265X.500X.219
12	06701900	1	PIN-HAIR INT .06X.18X.77
13	06713500	2	PIN, HAIR INT .08X.18X1.18 YWZC
14	07500209	2	KNOB, SOFT TEARDROP, PUSH-ON GRY
15	08335700	2	SPRG, COMPRESSION

BOM ID	Number	Qty	Description
16	08337000	1	SPRG, EXTENSION
17	06219900	2	BLT-RDHDSQNK .25-20X.75 G5 YWZC
18	05963300	2	BLT-HEX .38-16X2.00 GR5 YWZC
19	06500710	2	NUT, LK-CTR-FLG .25-20 YWZC
20	06542000	2	NUT, LK-TOP-FLG .38-16 YWZC
21	07400034	1	SCR-TAP .25-20X.50 HWH TR YWZ
22	06444000	1	WSHR-FL-STL .406X1.00X.188 YWZC
23	06439300	1	WSHR-FL-STL .380X1.50X.062 YWZ
24	07517300	1	CABLE, TIE 5.50 LG
25	04307600	1	ASM, HEADLAMP - HALOGEN - 20W
26	04323300	1	BEZEL, SHIFT
27	07400107	4	SCR-TAP #10X.500 BOSS INDHXHD

CONTROLS – QUICK TURN

Model 921028, 029



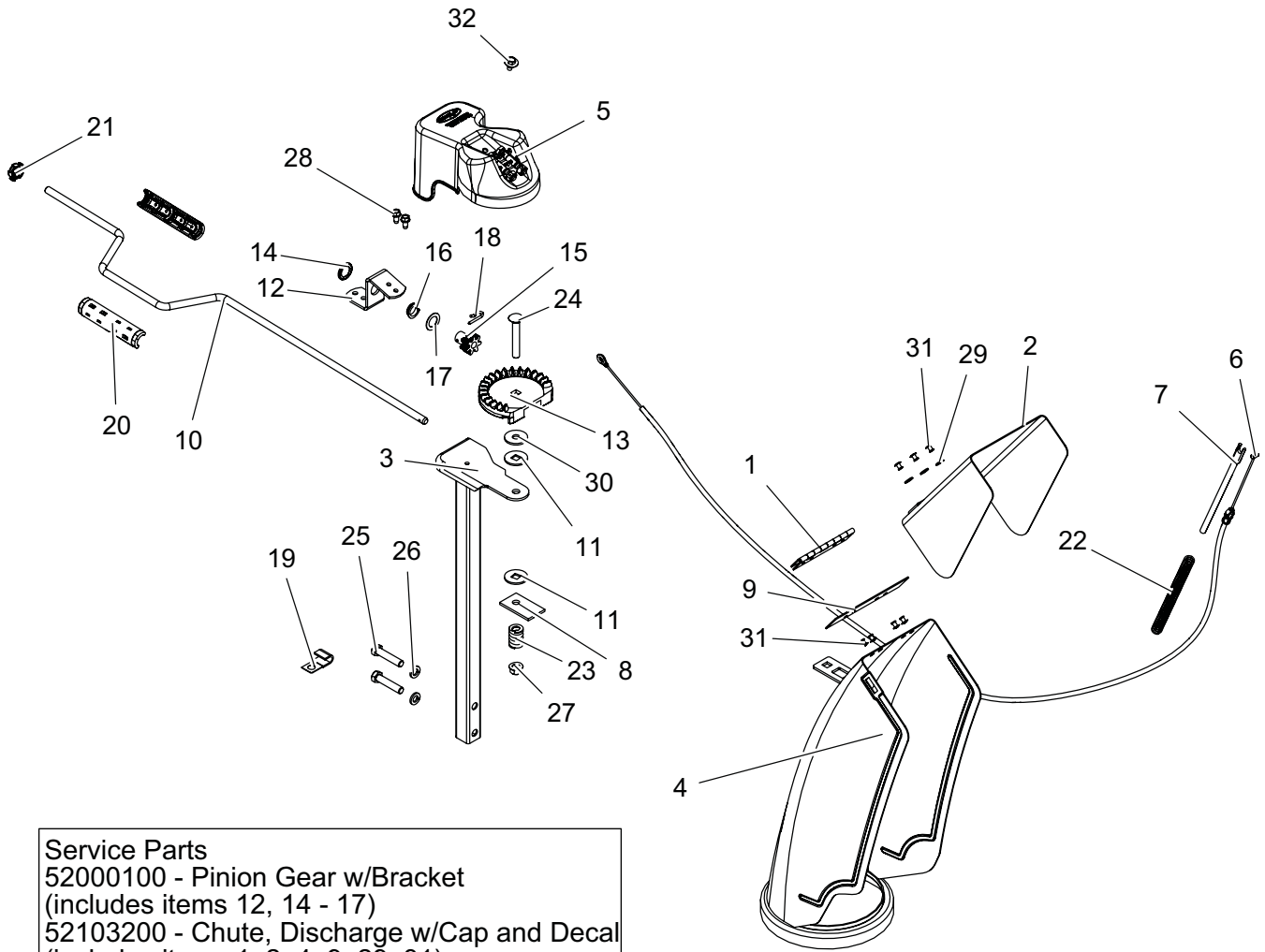
Service Part
04329600 - Harness, Headlight

BOM ID	Number	Qty	Description
1	04320200	1	WLDMT, CONTROL LEVER (SHIFT)
2	04320300	1	WLDMT, CONTROL LEVER (DEFL)
3	04321800	1	LEVER, CHUTE CONTROL
4	00184800	1	MOUNT, CHUTE CONTROL
5	00386700	1	PIVOT, SHIFT ROD .375-16 (TRUNN)
6	04318600	1	GROMMET, BOOT - QUICK TURN
7	04320400	1	BRKT, INTERLOCK ARM
8	04320500	1	ROD, PIVOT - INTERLOCK
9	04323300	1	BEZEL, SHIFT
10	04336367	1	ROD, SHIFT - UPPER
11	04343867	1	ROD, SHIFT - LOWER
12	04532300	1	TAPE, DIE CUT - QUICK TURN
13	05500004	2	BSHG, FLANGED - .265 X .448 X .243 X 1.00
14	05500020	2	BSHG, POLYLINER-.38 SNAPIN
15	05500027	1	BSHG, POLYLINER-.75 SNAP-IN
16	05501012	1	BSHG, SLV - .265X.500X.219
17	06701900	1	PIN-HAIR INT .06X.18X.77
18	06713500	2	PIN, HAIR INT .08X.18X1.18 YWZC

BOM ID	Number	Qty	Description
19	07000036	1	NUT, PUSH -.75" SHAFT
20	07500205	1	HANDLE, CONTROL - QUICK TURN
21	07500209	2	KNOB, SOFT TEARDROP, PUSH-ON GRY
22	08310900	1	SPRG, EXTENSION
23	08335700	2	SPRG, COMPRESSION
24	08337000	1	SPRG, EXTENSION
25	06219900	2	BLT-RDHDSQNK .25-20X.75 G5 YWZC
26	05963300	2	BLT-HEX .38-16X2.00 GR5 YWZC
27	05946800	2	BLT-HEX .25-20X.75 GR5 YWZC
28	06500710	4	NUT, LK-CTR-FLG .25-20 YWZC
29	06542000	2	NUT, LK-TOP-FLG .38-16 YWZC
30	07400107	4	SCR-TAP #10X.500 BOSS INDHXHD
31	07400034	1	SCR-TAP .25-20X.50 HWH TR YWZ
32	06444000	1	WSHR-FL-STL .406X1.00X.188 YWZC
33	06439300	1	WSHR-FL-STL .380X1.50X.062 YWZ
34	04307600	1	ASM, HEADLAMP - HALOGEN - 20W
35	07517300	1	CABLE, TIE 5.50 LG

DISCHARGE CHUTE – CRANK

Model 921023, 024, 030, 032, 035



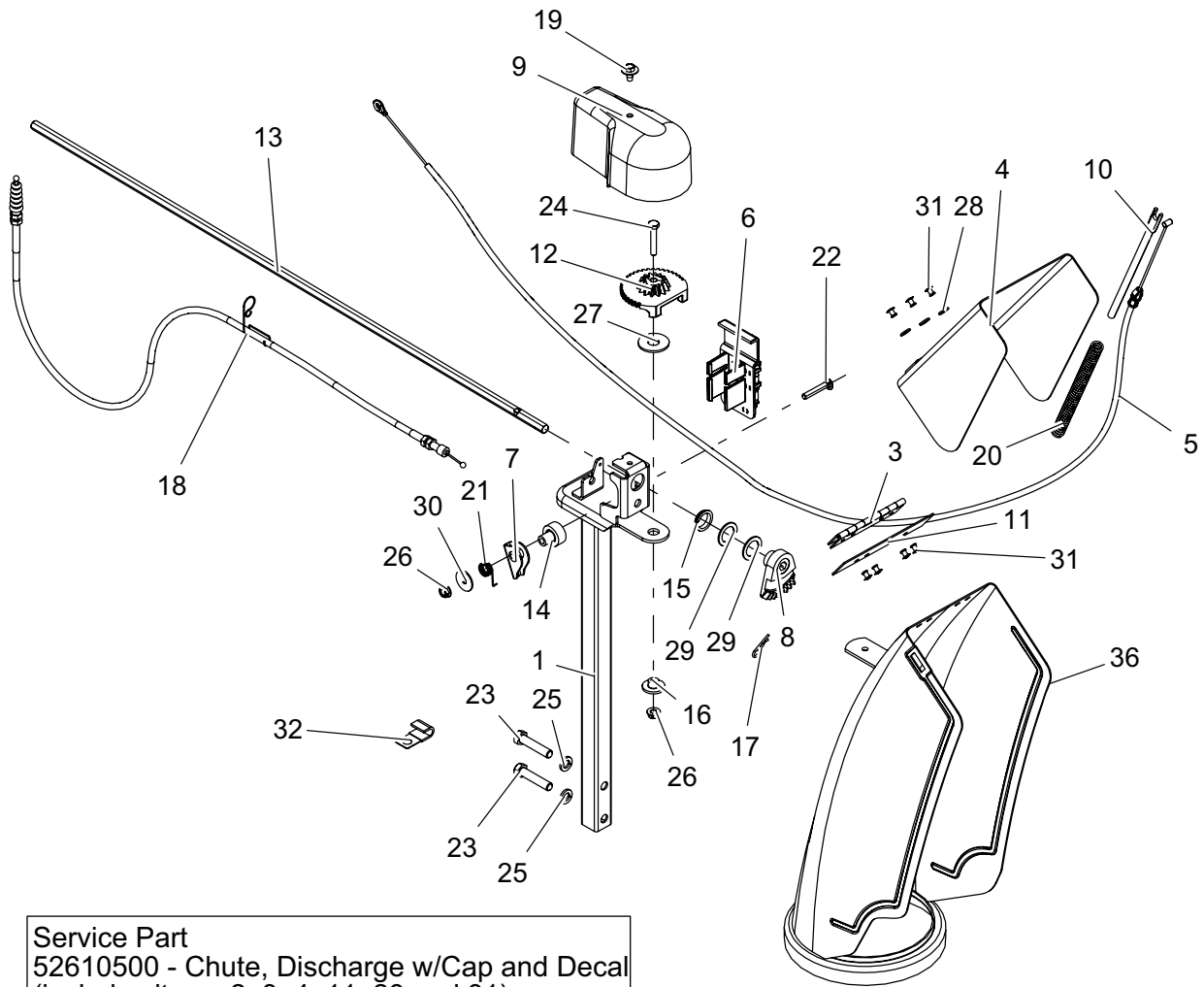
Service Parts
 52000100 - Pinion Gear w/Bracket
 (includes items 12, 14 - 17)
 52103200 - Chute, Discharge w/Cap and Decal
 (includes items 1, 2, 4, 9, 29, 31)

BOM ID	Number	Qty	Description
1	00170100	1	HINGE,
2	00387759	1	CAP, DEFLECTOR - LARGE
3	00658351	1	PEDESTAL, CHUTE - CRANK
4	03985359	1	CHUTE, DISCHARGE CRANK + REMOTE
5	52105600	1	ASM, GEAR COVER W/LG SHEAR BOLTS
6	06900406	1	CABLE, DEFLECTOR
7	00389000	1	ROD, DEFLECTOR CAP
8	00398000	1	PLATE, FRICTION
9	00628400	1	CAP, SEAL 5.50
10	00956500	1	ROD, CHUTE CRANK
11	01123800	2	WASHER, FRICTION
12	01972451	1	BRKT, PINION GEAR
13	03222900	1	GEAR, CHUTE
14	03224300	1	NUT, PUSH - .625
15	03735300	1	GEAR, PINION - CHUTE
16	05500021	1	BSHG, POLYLINER - .63 SNAP-IN
17	06400009	1	WSHR, THRUST .625X1.0X.03

BOM ID	Number	Qty	Description
18	06714500	1	PIN, SPRING CLIP
19	06909400	1	CLAMP, J
20	07500020	2	KNOB, CRANK - SNAP
21	04322700	1	BSHG, CRANK - CHUTE
22	08300013	1	SPRG, COMPRESSION
23	08320900	1	SPRG, COMPRESSION
24	06224400	1	BLT-RDHD5QNK .38-16X2.50 G5 Y
25	05958500	2	BLT-HEX .38-16X1.75 GR5 YWZC
26	06308800	2	WSHR-LK .38X.094 REG YWZC
27	06542000	1	NUT, LK-TOP-FLG .38-16 YWZC
28	07400034	2	SCR-TAP .25-20X.50 HWH TR YWZ
29	06400003	3	WSHR-FL-STL .196X.500X.06 YWZC
30	06400917	1	WSHR-FL-STL .406X1.25X.10 YWZC
31	06800028	7	RVT-POP .187x.250 (#64) YWZC
32	07400104	1	SCR, TAP .25-20X.50 LGHWH TR

DISCHARGE CHUTE

Model 921028, 029



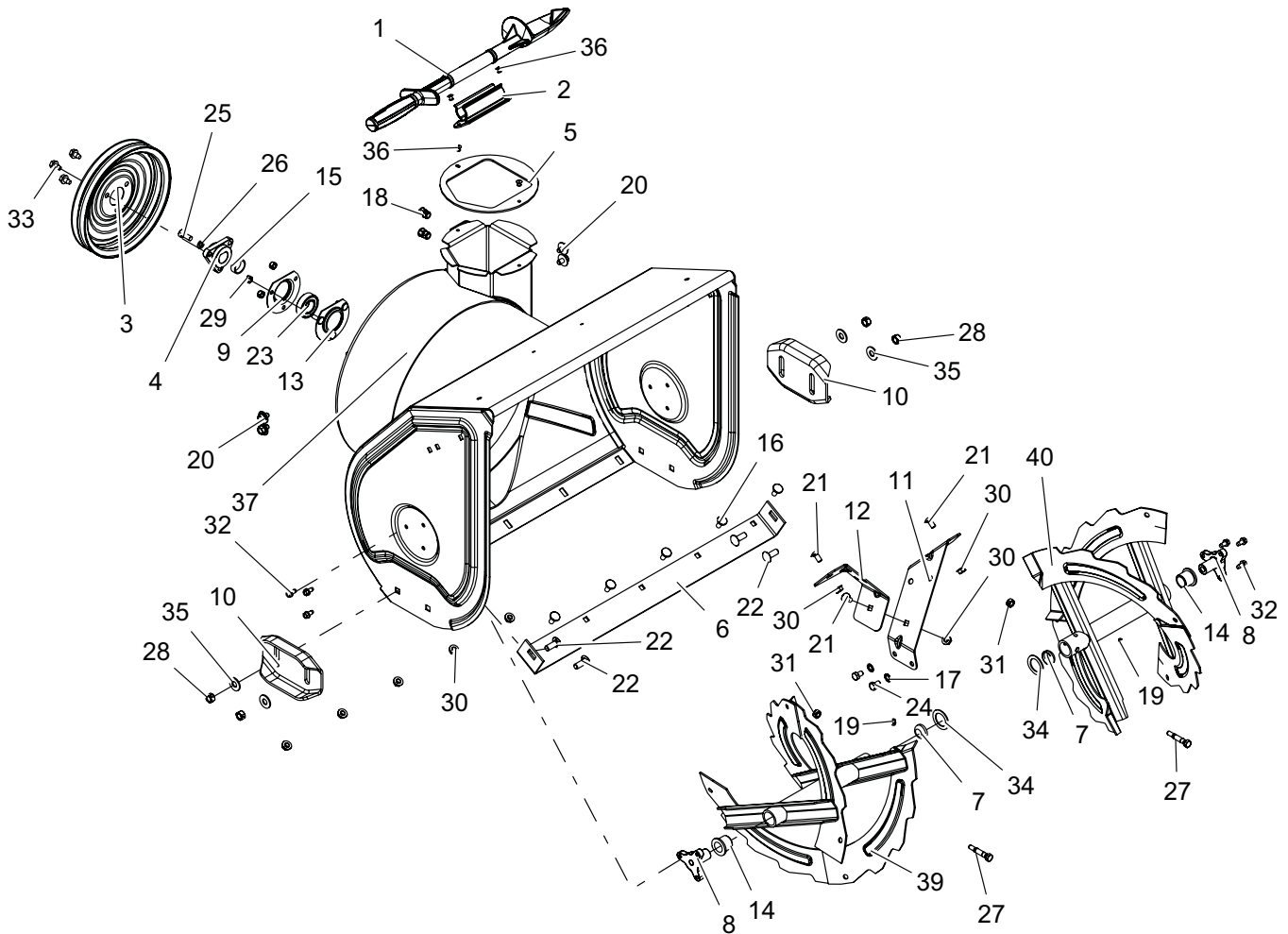
Service Part
 52610500 - Chute, Discharge w/Cap and Decal
 (includes items 2, 3, 4, 11, 28 and 31)

BOM ID	Number	Qty	Description
1	03897451	1	PEDESTAL, CHUTE -QUICK STICK
3	00170100	1	HINGE,
4	00387759	1	CAP, DEFLECTOR - LARGE
5	06900406	1	CABLE, DEFLECTOR
6	52104700	1	HOLDER, W/ LARGE SHEAR BOLTS + NUTS
7	00180900	1	ARM, LOCKING
8	00184300	1	GEAR, CHUTE ACTUATION
9	00261700	1	COVER, CHUTE GEAR
10	00389000	1	ROD, DEFLECTOR CAP
11	00628400	1	CAP, SEAL 5.50
12	03898700	1	GEAR, CHUTE
13	04507700	1	ROD, HEX - CHUTE ROTATION
14	05500024	1	BSHG, LOCK ARM
15	05500027	1	BSHG, POLYLINER- .75 SNAP-IN
16	05500920	1	BSHG, FLG .265 X .477 X .375 X 1.00
17	06713500	1	PIN, HAIR INT .08X.18X1.18 YWZC
18	06900421	1	CABLE, CHUTE LOCK

BOM ID	Number	Qty	Description
19	07400104	1	SCR, TAP .25-20X.50 LGHWH TR
20	08300013	1	SPRG, COMPRESSION
21	08300014	1	SPRG, TORSION
22	06222300	1	BLT-RDHDSQNK .25-20X1.50 G5 Y
23	05958500	2	BLT-HEX .38-16X1.75 GR5 YWZC
24	05952500	1	BLT-HEX .25-20X1.50 GR5 YWZC
25	06308800	2	WSHR-LK .38X.094 REG YWZC
26	06500710	2	NUT, LK-CTR-FLG .25-20 YWZC
27	06400904	1	WSHR-FL-NYL .515 X 1.375 X .093
28	06400003	3	WSHR-FL-STL .196X.500X.06 YWZC
29	06441400	2	WSHR-FL-STL .754X1.125X.062 YWZC
30	06426600	1	WSHR-FL-STL .281X1.000X.063 YWZC
31	06800028	7	RVT-POP .187x.250 (#64) YWZC
32	06909400	1	CLAMP, J
36	04346859	1	CHUTE, DISCHARGE - NOTCHED

AUGER AND HOUSING – 24 IN

Model 921024, 028

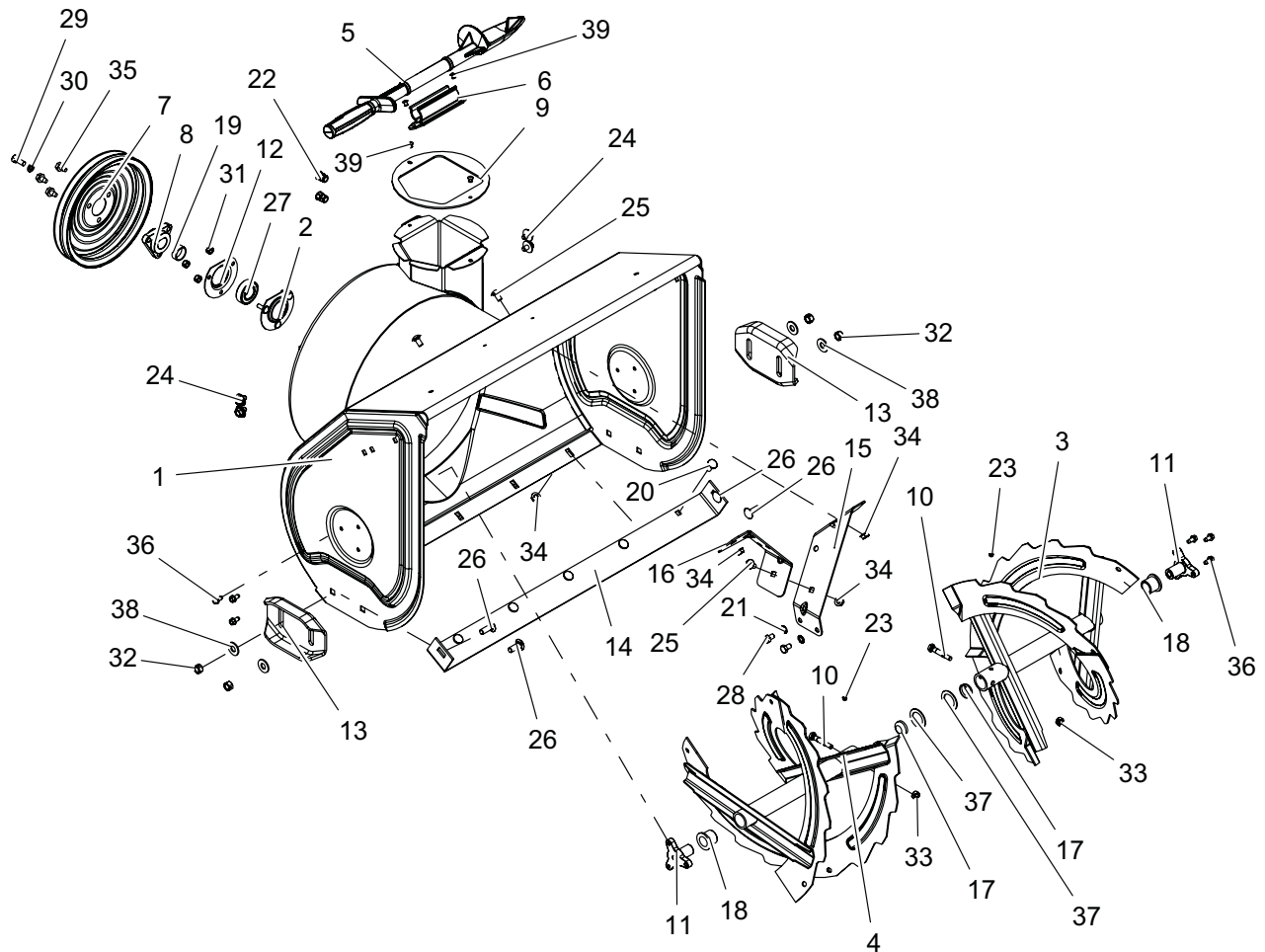


BOM ID	Number	Qty	Description
1	00170200	1	DEVICE, SNOW CLEAN OUT
2	00170300	1	MOUNT, SNOW CLEAN OUT
3	00268700	1	PULLEY, DUAL GROOVE
4	00268702	1	HUB, PULLEY D-BORE .87
5	00600100	1	BAFFLE, DISCHARGE NECK
6	00658559	1	BLADE, SCRAPER - 24"
7	04444000	2	PLUG, RAKE TUBE
8	00659200	2	SUPPORT, RAKE BUSHING
9	01014200	1	FLANGE, BEARING
10	02483859	2	SHOE, SKID - REVERSIBLE
11	04319151	1	BRKT, GEARCASE SUPPORT -LH
12	04319251	1	BRKT, GEARCASE SUPPORT -RH
13	00428700	1	FLANGE, BEARING
14	05500114	2	BSHG, FLANGE - NY .778 ID X 1.018 OD
15	05501109	1	BSHG, SPCR .895 ID x 1.065 OD x .353
16	06200209	5	BLT, RDHDSQSHK MODIFIED .31-18 X .62 YZ
17	06307200	2	WSHR-LK-EXT .326X.599X.031 YWZC REV
18	07001612	2	NUT, THREADED INSERT .38-16
19	07061300	2	ZERK, FITTING .25X.125 DRIVE IN
20	07400030	4	SCR-TAP .31-18X.50 HWH TR YWZ EP30

BOM ID	Number	Qty	Description
21	06200118	3	BLT-RHDSSQNK .31-18X.62 G5YZ LOCKING
22	06212000	4	BLT-RDHDSHSQNK.38-16X1.0 G5YZ
23	05409300	1	BRG-BALL .876X1.750X.50
24	05947200	2	BLT-HEX .31-18X.50 GR5 YWZC
25	05947300	1	BLT-HEX .31-24X.75 GR5 YWZC
26	06307400	1	WSHR-LK .31X.097 HVY YWZC
27	52100100	2	ASM, SHEAR BOLT W/NUT
28	06529600	4	NUT-LK-CTR .38-16 YWZC
29	06529700	3	NUT-LK-CTR .25-20 YWZC
30	06543100	8	NUT, LK-TOP-FLG .312-18 YWZC
31	06529800	2	NUT-LK-CTR .31-18 YWZC
32	07400034	6	SCR-TAP .25-20X.50 HWH TR YWZ
33	07411500	3	SCR-TAP .31-18X.50 HWH TR YWZ
34	06436300	2	WSHR-FL-STL 1.010X1.505X.062 YWZC
35	06435900	4	WSHR-FL-STL.438X1.00X.083 YWZC
36	06800028	4	RVT-POP .187x.250 (#64) YWZC
37	52101700	1	HOUSING, BLOWER -24" DELUXE W/DECAL
39	52102700	1	RAKE, RIGHT HAND-24" DELUXE W/ZERK
40	52102600	1	RAKE, LEFT HAND-24" DELUXE, W/ZERK

AUGER AND HOUSING – 28 IN

Model 921023

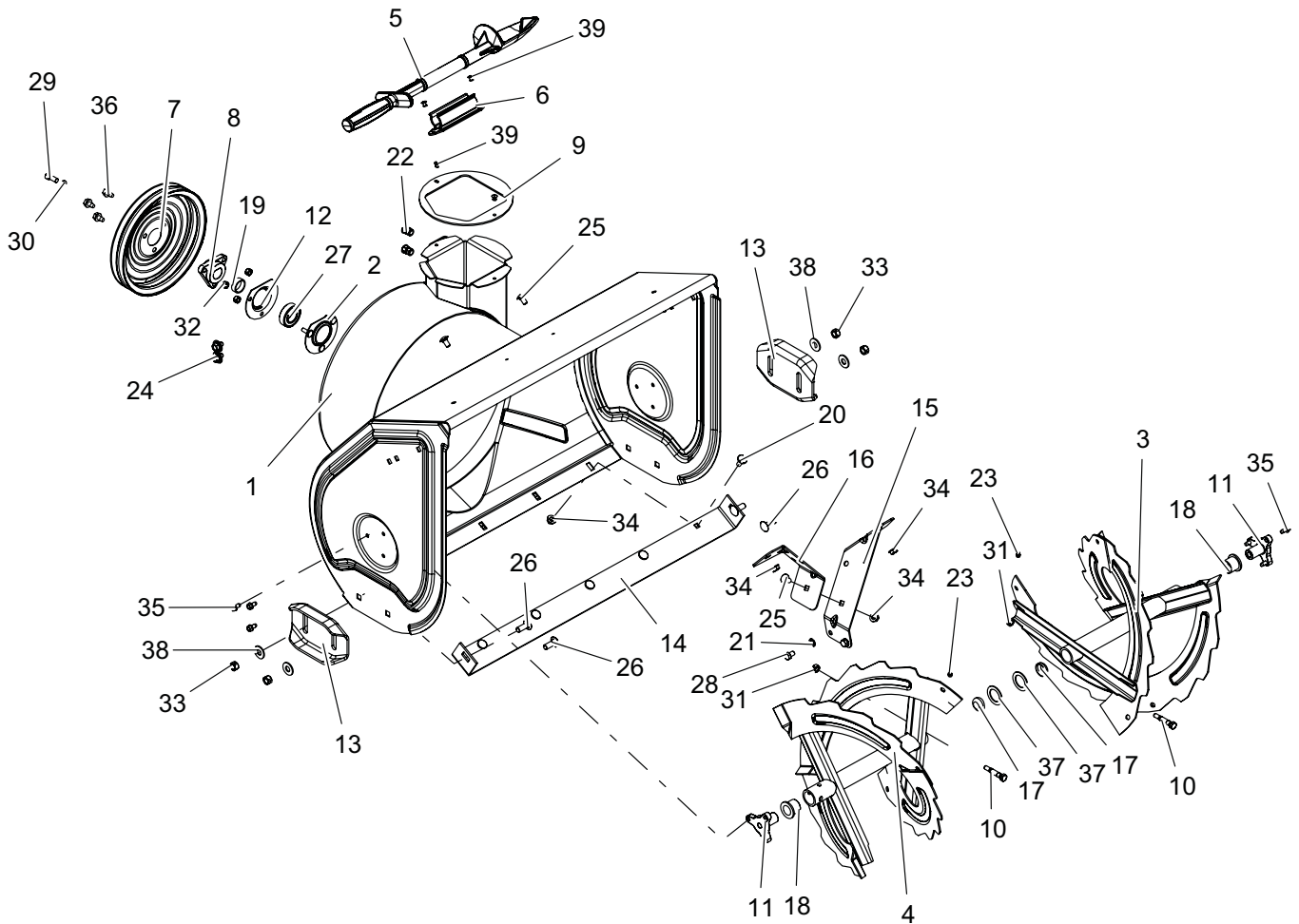


BOM ID	Number	Qty	Description
1	52103300	1	HOUSING, BLOWER -28" DELUXE W/DECAL
2	00428700	1	FLANGE, BEARING
3	52103400	1	RAKE, LEFT HAND-28" DELUXE W/ZERK
4	52103500	1	RAKE, RIGHT HAND-28" DELUXE W/ZERK
5	00170200	1	DEVICE, SNOW CLEAN OUT
6	00170300	1	MOUNT, SNOW CLEAN OUT
7	00268700	1	PULLEY, DUAL GROOVE
8	00268702	1	HUB, PULLEY D-BORE .87
9	00600100	1	BAFFLE, DISCHARGE NECK
10	52100100	2	ASM, SHEAR BOLT W/NUT
11	00659200	2	SUPPORT, RAKE BUSHING
12	01014200	1	FLANGE, BEARING
13	02483859	2	SHOE, SKID - REVERSIBLE
14	04145959	1	BLADE, SCRAPER-28"
15	04319151	1	BRKT, GEARCASE SUPPORT -LH
16	04319251	1	BRKT, GEARCASE SUPPORT -RH
17	04444000	2	PLUG, RAKE TUBE
18	05500114	2	BSHG, FLANGE - NY .778 ID X 1.018 OD
19	05501109	1	BSHG, SPCR .895 ID x 1.065 OD x .353
20	06200209	5	BLT, RDHDSQSHK MODIFIED .31-18 X .62 YZ

BOM ID	Number	Qty	Description
21	06307200	2	WSHR-LK-EXT .326X.599X.031 YWZC REV
22	07001612	2	NUT, THREADED INSERT .38-16
23	07061300	2	ZERK, FITTING .25X.125 DRIVE IN
24	07400030	4	SCR-TAP .31-18X.50 HWH TR YWZ EP30
25	06200118	3	BLT-RHDSQNK .31-18X.62 G5YZ LOCKING
26	06212000	4	BLT-RDHDSHSQNK.38-16X1.0 G5YZ
27	05400713	1	BRG-BALL .876X1.75X.50 (RSTFP)
28	05947200	2	BLT-HEX .31-18X.50 GR5 YWZC
29	05947300	1	BLT-HEX .31-24X.75 GR5 YWZC
30	06307400	1	WSHR-LK .31X.097 HVY YWZC
31	06529700	3	NUT-LK-CTR .25-20 YWZC
32	06529600	4	NUT-LK-CTR .38-16 YWZC
33	06529800	2	NUT-LK-CTR .31-18 YWZC
34	06543100	8	NUT, LK-TOP-FLG .312-18 YWZC
35	07411500	3	SCR-TAP .31-18X.50 HWH TR YWZ
36	07400034	6	SCR-TAP .25-20X.50 HWH TR YWZ
37	06436300	2	WSHR-FL-STL 1.010X1.505X.062 YWZC
38	06435900	4	WSHR-FL-STL.438X1.00X.083 YWZC
39	06800028	4	RVT-POP .187x.250 (#64) YWZC

AUGER AND HOUSING – 28 IN

Model 921030, 035

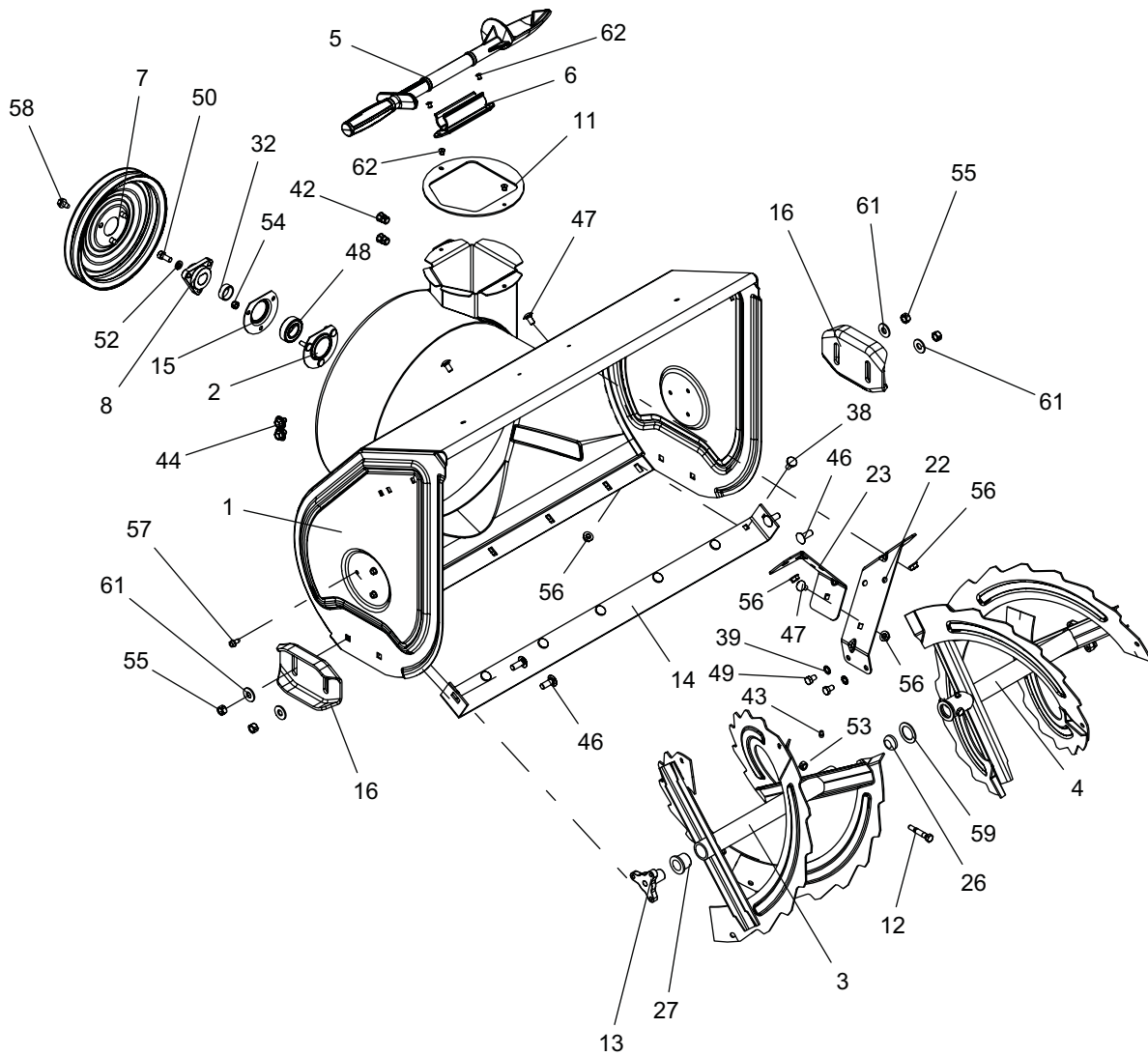


BOM ID	Number	Qty	Description
1	52103300	1	HOUSING, BLOWER -28" DELUXE W/DECAL
2	00428700	1	FLANGE, BEARING
3	52103400	1	RAKE, LEFT HAND-28" DELUXE W/ZERK
4	52103500	1	RAKE, RIGHT HAND-28" DELUXE W/ZERK
5	00170200	1	DEVICE, SNOW CLEAN OUT
6	00170300	1	MOUNT, SNOW CLEAN OUT
7	00268700	1	PULLEY, DUAL GROOVE
8	00268702	1	HUB, PULLEY D-BORE .87
9	00600100	1	BAFFLE, DISCHARGE NECK
10	52100100	2	ASM, SHEAR BOLT W/NUT
11	00659200	2	SUPPORT, RAKE BUSHING
12	01014200	1	FLANGE, BEARING
13	02483859	2	SHOE, SKID - REVERSIBLE
14	04145959	1	BLADE, SCRAPER-28"
15	04319151	1	BRKT, GEARCASE SUPPORT -LH
16	04319251	1	BRKT, GEARCASE SUPPORT -RH
17	04444000	2	PLUG, RAKE TUBE
18	05500114	2	BSHG, FLANGE - NY .778 ID X 1.018 OD
19	05501109	1	BSHG, SPCR .895 ID x 1.065 OD x .353
20	06200209	5	BLT, RDHDSQSHK MODIFIED .31-18 X .62 YZ

BOM ID	Number	Qty	Description
21	06307200	2	WSHR-LK-EXT .326X.599X.031 YWZC REV
22	07001612	2	NUT, THREADED INSERT .38-16
23	07061300	2	ZERK, FITTING .25X.125 DRIVE IN
24	07400030	4	SCR-TAP .31-18X.50 HWH TR YWZ EP30
25	06200118	3	BLT-RHDSSQNK .31-18X.62 G5YZ LOCKING
26	06212000	4	BLT-RDHDSHSQNK.38-16X1.0 G5YZ
27	05409300	1	BRG-BALL .876X1.750X.50
28	05947200	2	BLT-HEX .31-18X.50 GR5 YWZC
29	05947300	1	BLT-HEX .31-24X.75 GR5 YWZC
30	06307400	1	WSHR-LK .31X.097 HVY YWZC
31	06529800	2	NUT-LK-CTR .31-18 YWZC
32	06529700	3	NUT-LK-CTR .25-20 YWZC
33	06529600	4	NUT-LK-CTR .38-16 YWZC
34	06543100	8	NUT, LK-TOP-FLG .312-18 YWZC
35	07400034	6	SCR-TAP .25-20X.50 HWH TR YWZ
36	07411500	3	SCR-TAP .31-18X.50 HWH TR YWZ
37	06436300	2	WSHR-FL-STL 1.010X1.505X.062 YWZC
38	06435900	4	WSHR-FL-STL.438X1.00X.083 YWZC
39	06800028	4	RVT-POP .187x.250 (#64) YWZC

AUGER AND HOUSING – 30 IN

Model 921029, 032



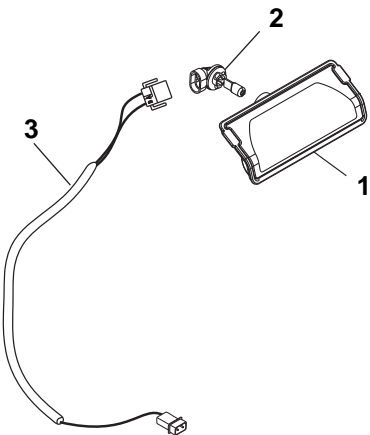
BOM ID	Number	Qty	Description
1	52101900	1	HOUSING, BLOWER - 30" DELUXE W/DECAL
2	00428700	1	FLANGE, BEARING
3	52103100	1	RAKE, RIGHT HAND - 30" DELUXE W/ZERK
4	52103000	1	RAKE, LEFT HAND - 30" DELUXE W/ZERK
5	00170200	1	DEVICE, SNOW CLEAN OUT
6	00170300	1	MOUNT, SNOW CLEAN OUT
7	00268700	1	PULLEY, DUAL GROOVE
8	00268702	1	HUB, PULLEY D-BORE .87
11	00600100	1	BAFFLE, DISCHARGE NECK
12	52100100	2	ASM, SHEAR BOLT W/NUT
13	00659200	2	SUPPORT, RAKE BUSHING
14	00661159	1	BLADE, SCRAPER- 30"
15	01014200	1	FLANGE, BEARING
16	02483859	2	SHOE, SKID - REVERSIBLE
22	04319151	1	BRKT, GEARCASE SUPPORT -LH
23	04319251	1	BRKT, GEARCASE SUPPORT -RH
26	04444000	2	PLUG, RAKE TUBE
27	05500114	2	BSHG, FLANGE - NY .778 ID X 1.018 OD
32	05501109	1	BSHG, SPCR.895 ID x 1.065 OD x .353
38	06200209	7	BLT, RDHDSQSHK MODIFIED.31-18 X .62 YZ

BOM ID	Number	Qty	Description
39	06307200	2	WSHR-LK-EXT .326X.599X.031 YWZC REV
42	07001612	2	NUT, THREADED INSERT .38-16
43	07061300	2	ZERK, FITTING .25X.125 DRIVE IN
44	07400030	4	SCR-TAP .31-18X.50 HWH TR YWZ EP30
46	06212000	4	BLT-RDHDSSHQNK.38-16X1.0 G5YZ
47	06200118	3	BLT-RHDSSQNK .31-18X.62 G5YZ LOCKING
48	05409300	1	BRG-BALL .876X1.750X.50
49	05947200	2	BLT-HEX .31-18X.50 GR5 YWZC
50	05947300	1	BLT-HEX .31-24X.75 GR5 YWZC
52	06307400	1	WSHR-LK .31X.097 HVY YWZC
53	06529800	2	NUT-LK-CTR.31-18 YWZC
54	06529700	3	NUT-LK-CTR.25-20 YWZC
55	06529600	4	NUT-LK-CTR.38-16 YWZC
56	06543100	10	NUT, LK-TOP-FLG .312-18 YWZC
57	07400034	6	SCR-TAP .25-20X.50 HWH TR YWZ
58	07411500	3	SCR-TAP .31-18X.50 HWH TR YWZ
59	06436300	2	WSHR-FL-STL 1.010X1.505X.062 YWZC
61	06435900	4	WSHR-FL-STL.438X1.00X.083 YWZC
62	06800028	4	RVT-POP .187x.250 (#64) YWZC

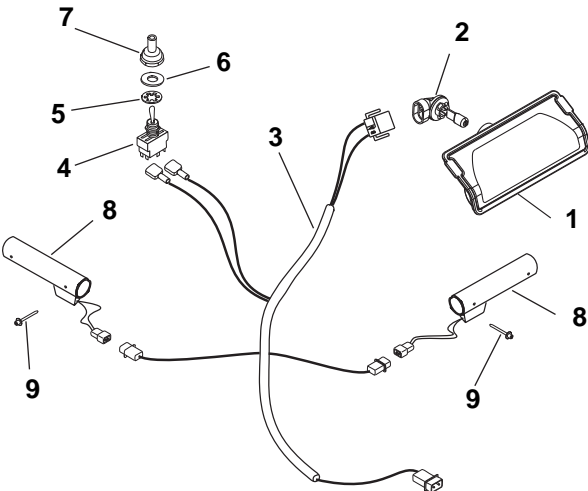
ELECTRICAL AND WIRING DIAGRAM

Model All

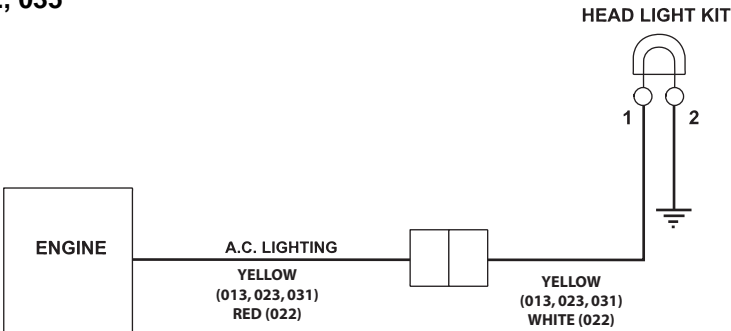
921023, 024, 030, 032, 035



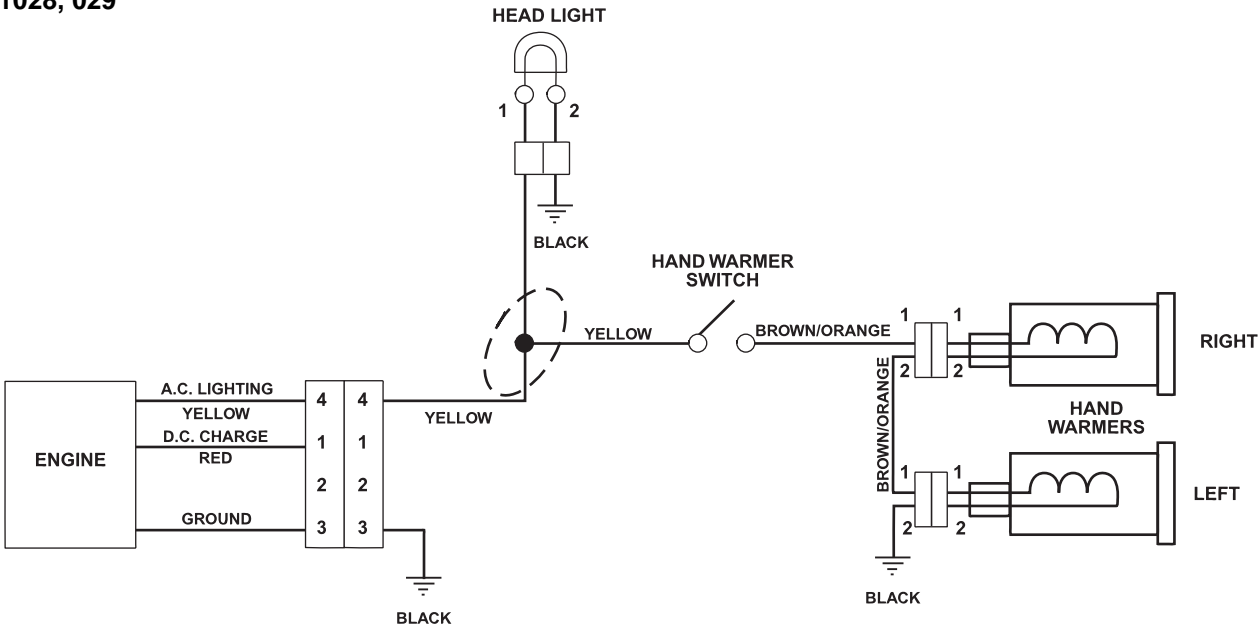
921028, 029



921023, 024, 030, 032, 035



921028, 029



ELECTRICAL AND WIRING DIAGRAM

Model All

tem	Part No.	Qty.	Description
1	04307600	1	Headlight Assembly (Includes Item 2)
2	00432600	1	Bulb, Light
3	04329600	1	Wire Harness, Light and Heated Hand Grips (921028, 029)
	04329500	1	Wire Harness, Light (921023, 024, 030, 032, 035)
4	02485700	1	Switch, On/Off Heated Hand Grips (921028, 029)
5	06310900	1	Washer, Locking Internal .563 x .040 (921028, 029)
6	06403800	1	Washer, Flat Steel .505 x .875 x .024 (921028, 029)
7	09207600	1	Boot, Switch (Optional) (921028, 029)
8	07500015	2	Heated Hand Grip (921028, 029)
9	06800038	4	Rivet, Pop #43 .125 x .313 (921028, 029)



THE KING OF SNOW®

Ariens Company
655 West Ryan Street
Brillion, WI 54110
920-756-4688
Fax 920-756-2407
www.ariens.com

An *Ariens* Company Brand