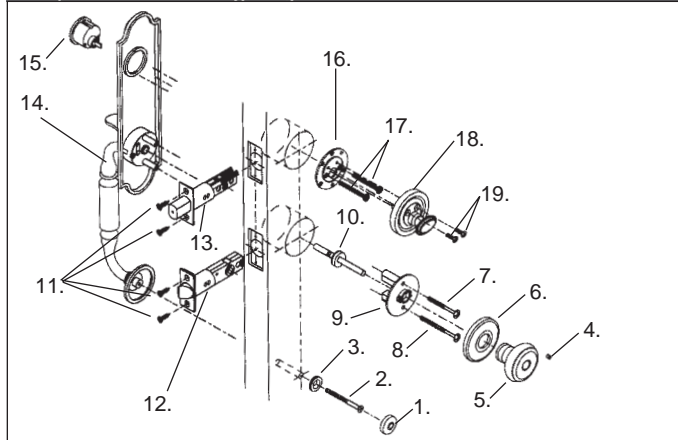


Handleset Trim Installation: Single Cylinder & Double Cylinder

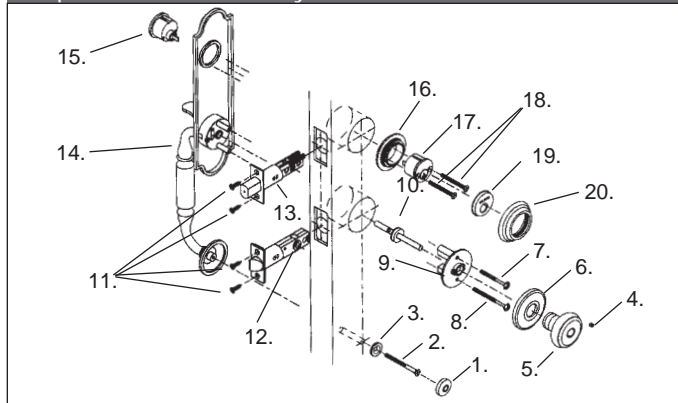
Exploded View Single Cylinder Handleset



Parts Enclosed:

- | | |
|--|--|
| 1. 1 Screw Cover | 11. 4 each #8 x 3/4" Flat Head Combination Screws |
| 2. 1 #10-32 x 2-1/2" Flat Head Machine Screw | 12. 1 Adjustable Backset Latch |
| 3. 1 Screw Cover Backplate | 13. 1 Adjustable Backset Deadbolt |
| 4. 1 Set Screw | 14. 1 Outside Handle |
| 5. 1 Knob | 15. 1 Outside Cylinder |
| 6. 1 Rosette | 16. 1 Turnpiece Mounting Plate |
| 7. 1 #10-32 x 2-1/8" Truss Head Screw | 17. 2 each #10-32 x 1-7/8" Pan Head Machine Screws |
| 8. 1 #10-32 x 2-5/8" Truss Head Screw | 18. 1 Turnpiece Trim |
| 9. 1 Adaptor | 19. 2 each #8-32 x 5/8" Oval Head Machine Screws |
| 10. 1 Spindle Assembly | 20. 1 Allen Wrench (not shown) |
- Note: See Strike Installation section for strike parts listing.

Exploded View Double Cylinder Handleset



Parts Enclosed:

- | | |
|---|--|
| 1. 1 Screw Cover | 11. 4 each #8 x 3/4" Flat Head Combination Screws |
| 2. 1 #10-32 x 2-1/2" Flat Head Machine Screw | 12. 1 Adjustable Backset Latch |
| 3. 1 Screw Cover Backplate | 13. 1 Adjustable Backset Deadbolt |
| 4. 1 Set Screw | 14. 1 Outside Handle |
| 5. 1 Knob | 15. 1 Outside Cylinder |
| 6. 1 Rosette | 16. 1 Threaded Collar |
| 7. 1 #10-32 x 2-1/8" Truss Head Screw | 17. 1 Inside Cylinder |
| 8. 1 #10-32 x 2-5/8" Truss Head Screw | 18. 2 each #10-32 x 2-1/4" Flat Head Machine Screw |
| 9. 1 Adaptor | 19. 1 Cylinder Cover |
| 10. 1 Spindle Assembly | 20. 1 Cylinder Collar |
| Note: See Strike Installation Section for strike parts listing. | |

Tools Needed: Only Required for Doors Without Cutout

- Pencil
- Measuring Device
- Hole Saw, 2-1/8" diameter (required when door is not prepared)
- 1/2" and 3/4" Wood Chisel
- Drill and Assorted Bits: 1/8", 5/32", 1/2" (required for FD trim only) and 1".

Tools Needed: Trim Installation for Doors with 2-1/8" Cutouts

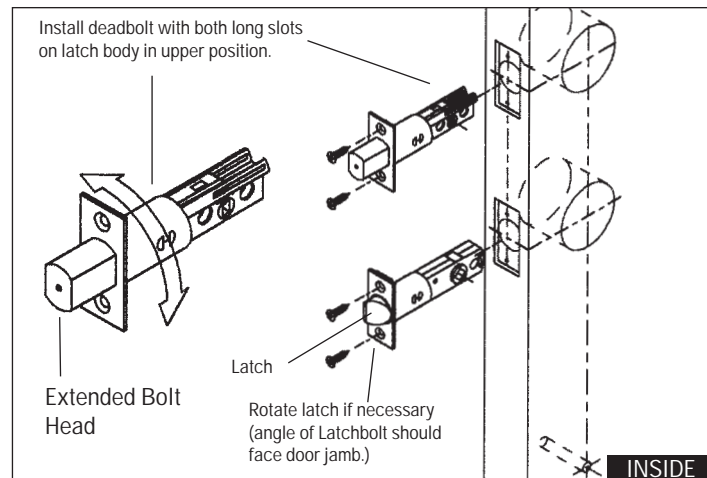
- Measuring Device
- Two Pairs of Pliers
- No. 2 and No. 3 Phillips Screwdrivers
- Allen Wrenches (supplied)
- Flat Head Screwdriver

TEAR HERE FOR ENGLISH.

Installing Deadbolt and Latch

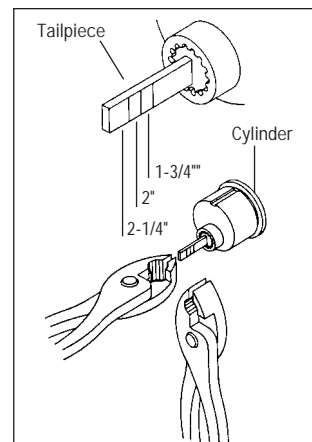
- a. The latch and deadbolt supplied with this unit has an adjustable backset feature. It will be set at 2-3/8" backset. To adjust to 2-3/4" backset, grasp body and twist faceplate/bolthead assembly 180° until it stops. Latch or deadbolt is now ready for installation in 2-3/4" backset configuration.

b. Insert deadbolt and latch. Install with four #8 x 3/4" flat head combination screws provided (see diagram for proper positioning). Insure dead-bolthead is extended throughout installation procedure.

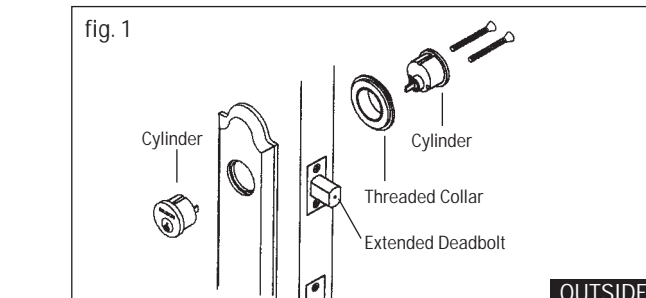
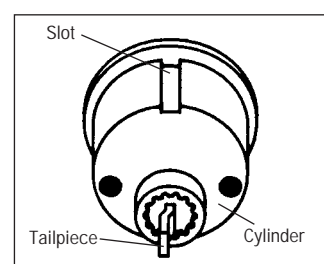


Double Cylinder Assembly

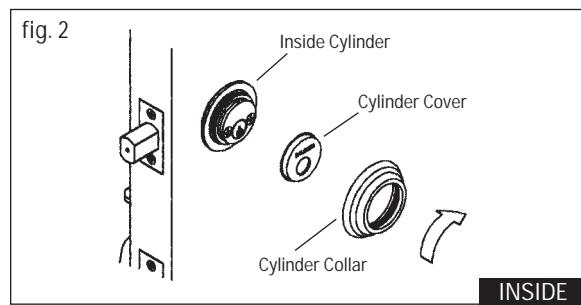
- Carefully break off cylinder tailpiece at required mark for your door thickness.
- Double Cylinder Assembly Outside (fig. 1) Extend deadbolt using flat head screwdriver. Keeping tailpiece vertical and toward the right side of the hole, insert outside cylinder through escutcheon and into the deadbolt. Align slot of inside cylinder with notch in threaded collar. Keeping tailpiece vertical and curved toward the right, insert cylinder with threaded collar into the deadbolt. Attach cylinders using two #10-32 x 2-1/4" flat head machine screws. Tighten screws. Do not insert key during this procedure.



- Align tailpiece with slot. Keep tailpiece vertical and curved towards right side of the hole as illustrated.



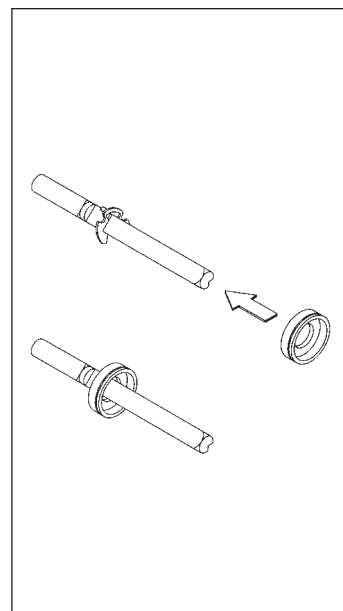
- Double Cylinder Assembly Inside Align cylinder cover over inside cylinder. Screw on decorative cylinder collar. Proceed to Step 9. (fig. 2)



TEAR HERE FOR ENGLISH.

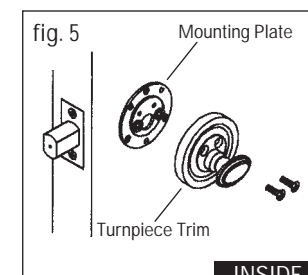
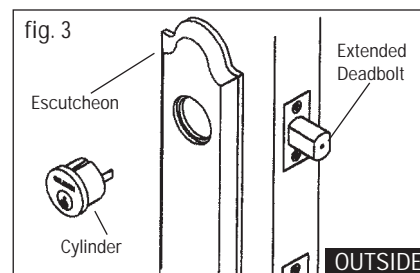
Installing Outside Trim

- Slip spindle collar onto spindle with groove in collar toward the short end of the spindle.
- From inside of door insert short end of spindle through the latch with the "V" groove angled down and toward the hinges. Align outside handle on the door and install, so the spindle slides into the thumbpiece cartridge.

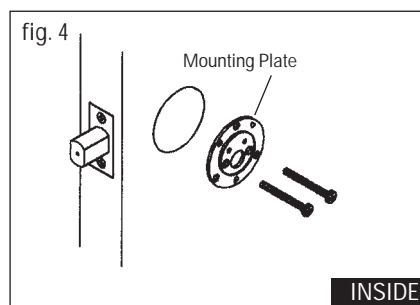


Single Cylinder Assembly

- Single Cylinder Assembly Outside (fig. 3) Extend deadbolt using flat head screwdriver. Keeping tailpiece vertical, insert cylinder through escutcheon plate and into deadbolt. Hold in place. Do not insert key during this procedure.
- Installing Turnpiece Trim Place turnpiece trim over mounting plate. Insert cylinder tailpiece into turn piece trim. Attach turn piece to mounting plate with two #8-32 x 5/8" oval head machine screws. (fig. 5)

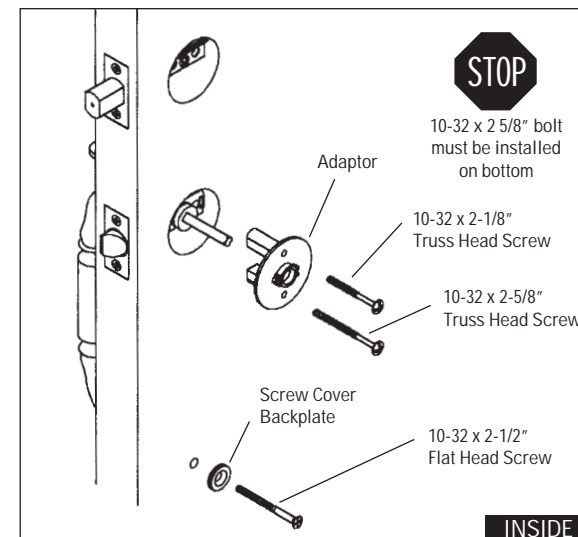


- Single Cylinder Assembly Inside Place turnpiece mounting plate on inside of door as shown. Attach cylinder using two #10-32 x 1-7/8" pan head machine screws. Tighten all screws. (fig. 4)



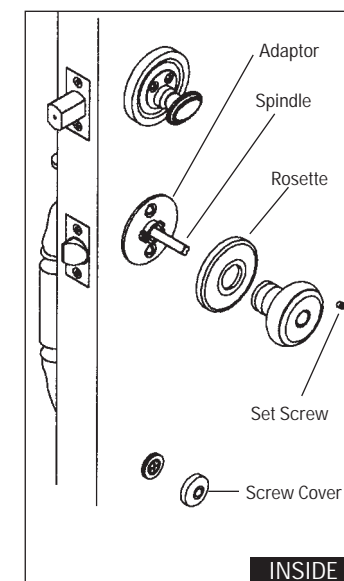
TEAR HERE FOR ENGLISH.

- Hold outside handle assembly in place. Attach adaptor with the short #10-32 x 2-1/8" truss head screw in the top hole and the long #10-32 x 2-5/8" truss head screw in the bottom hole. To secure bottom of outside handle, insert the #10-32 x 2-1/2" flat head machine screw through the screw cover backplate. Screw through door and into bottom of outside handle. Tighten all screws.



Installing Inside Knob

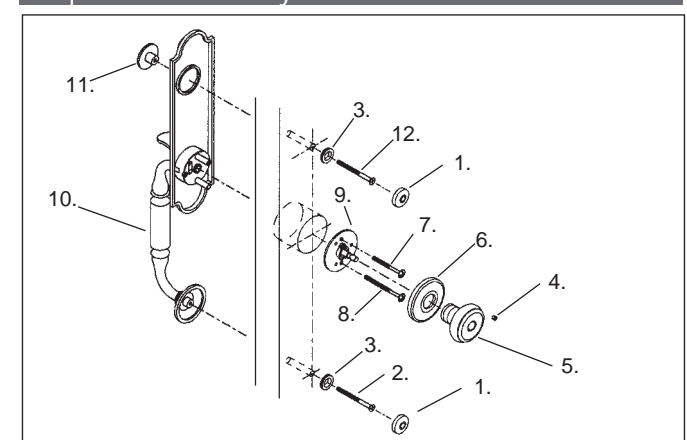
- Snap rosette onto the adaptor. Pull spindle out as far as possible and depress thumbpiece. With thumbpiece depressed slide knob onto spindle and tighten set (with allen wrench supplied) screw into "V" groove. Screw on decorative screw cover. Congratulations! Your installation is now complete.



TEAR HERE FOR ENGLISH.

Handleset Trim Installation: Dummy

Exploded View Dummy Handleset

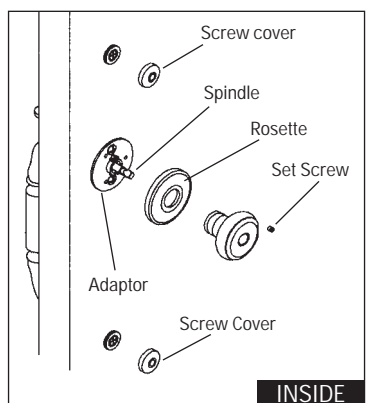
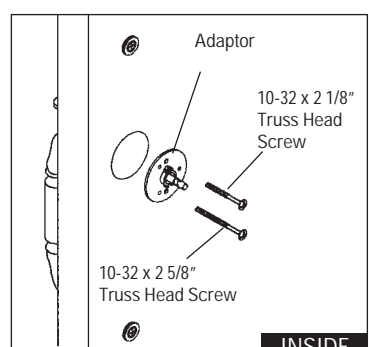
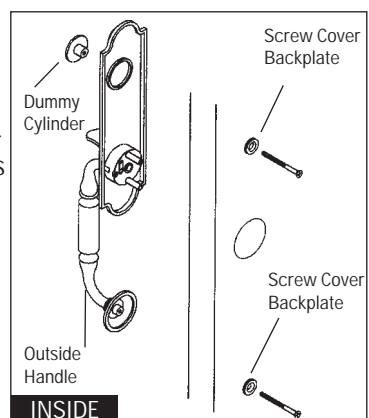


Parts Enclosed:

- | | |
|--|--|
| 1. 2 ea. Screw Covers | 8. 1 #10-32 x 2-5/8" Truss Head Screw |
| 2. 1 #10-32 x 2-1/2" Flat Head Machine Screw | 9. 1 Adaptor |
| 3. 2 ea. Screw Cover Backplates | 10. 1 Outside Handle |
| 4. 1 Set Screw | 11. 1 Dummy Cylinder |
| 5. 1 Knob | 12. 1 #8-32 x 2-1/4" Flat Head Machine Screw |
| 6. 1 Rosette | 13. 1 Allen Wrench (not shown) |
| 7. 1 #10-32 x 2-1/8" Truss Head Screw | |

Installation

- Align outside handle with door borings as shown. Place dummy cylinder in cylinder hole of outside handle. Insert truss head screws through screw cover backplates and attach pull assembly to door (use #8-32 x 2-1/4" flat head screw in top; #10-32 x 2-1/2" flat head screw in bottom. Do not tighten screws.
- Attach inside adaptor to outside handle with the short #10-32 x 2-1/8" truss head screw in the top hole and #10-32 x 2-5/8" truss head screw in the bottom hole. Tighten all screws.
- Snap rosette onto adaptor. Slide knob onto spindle and tighten set screw. Attach screw covers. Congratulations! Your installation is now complete!



TEAR HERE FOR ENGLISH.

Congratulations!

With your purchase of The Images Collection solid brass entrance lockset, you're among a group of discerning individuals who know the intrinsic value of selecting the finest – Baldwin.

Images entrance locksets and interior latchsets coordinate beautifully, enabling you to carry a specific design theme throughout your home.

Our step-by-step installation instructions will help guide you through your project quickly and easily.

Before you begin your installation, read and understand the installation instructions and marking templates. If you have any questions, please do not hesitate to contact our Baldwin Technical Services Department, 1-800-566-1986. We're here to help!

We thank you for your Baldwin purchase and wish you the fullest enjoyment of your Baldwin Handleset.

Technical Services Support

1-800-566-1986

Hours: 6 am to Midnight C.S.T.-7days a week.

Remember Baldwin



With the completion of your project, remember that Baldwin quality hardware and giftware products are available for all your decorating and remodeling needs. Matching knob and leversets for interior doors, beautiful bath accessories, and a complete selection of cabinet and door enhancing hardware are all available from your Baldwin retailer.

© Baldwin Hardware Corporation
P.O. Box 15048 Reading, PA 19612

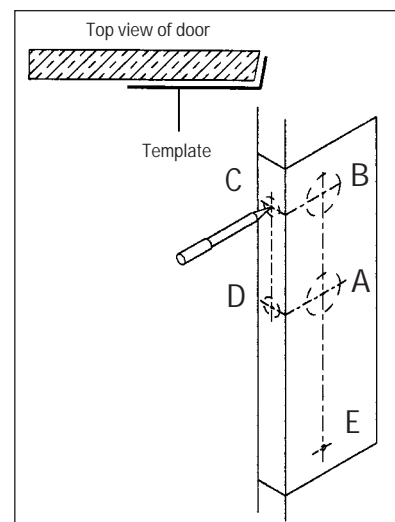
PK-1084 (8/98)

Door Preparation

Door Preparation Single Cylinder and Double Cylinder

- 1 To position template fold enclosed template on line and locate on door at specified height. If door is beveled, place folded edge on low side of bevel as shown in illustration. If you have a new door that is not already cut-out, please follow instructions for non-bored doors. If your door is pre-bored, please follow instructions for bored doors below.

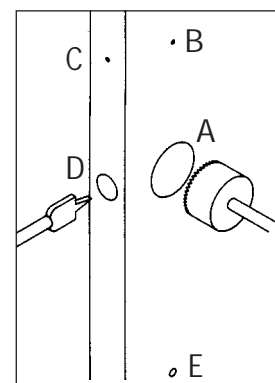
Non-bored doors – Determine door thickness and type of handleset to be installed. Locate and mark required holes (A, B, C, D, E) for drilling, as per enclosed marking template. Proceed to Step 2.
Bored doors – Mark and drill hole E (5/16") for appropriate handleset design. Now proceed to handleset installation instructions on reverse side Step 1.



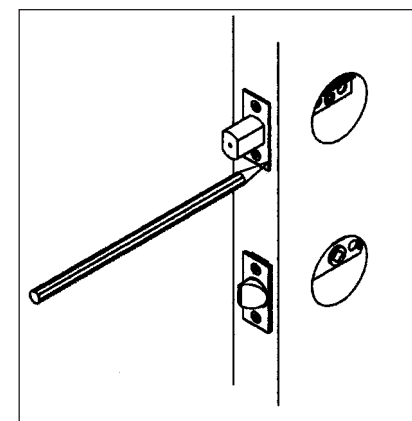
- 2 Drill the 2-1/8" diameter face bores (A and B) through the door and 1" diameter edge bores (C and D) 3-1/2" deep for 2-3/8" backset or 3-7/8" deep for 2-3/4" backset. The latch and deadbolt accommodates both size backsets. Drill the 5/16" lower pull assembly hole (E) for the appropriate handleset shown on template.

Caution: Re-check hole locations before drilling.

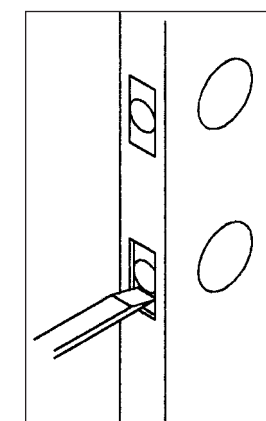
A - 2-1/8"
B - 2-1/8"
C - 1"
D - 1"
E - 5/16" Drill for proper handleset.



- 3 Insert deadbolt into edge of door. While holding faceplate parallel to edge of door, trace an outline of the faceplate onto the door edge. Mark screw hole centers and drill. Remove deadbolt and repeat process for latch.



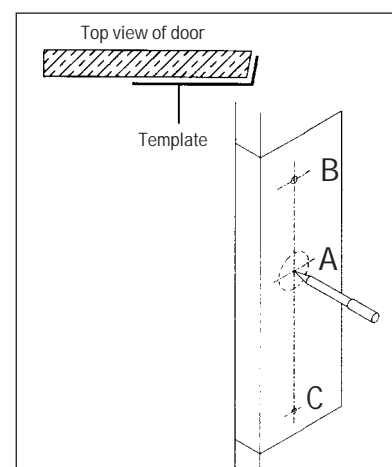
- 4 Chisel out area marked in step 3 to a depth of 5/32" or until faceplate is flush with door edge.



Door Preparation/Dummy Handleset

- 1 To position template fold enclosed template on line and locate on door at specified height. If door is beveled, place folded edge on low side of bevel as shown in illustration. If you have a new door that is not already cut-out, please follow instructions for non-bored doors. If your door is pre-bored, please follow instructions for bored doors below.

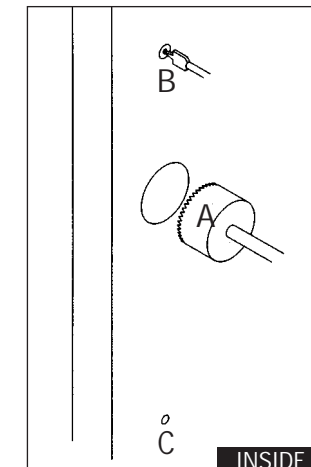
Non-bored doors – Determine door thickness and type of handleset to be installed. Measure height and backset of active trim, using enclosed marking template to locate and mark required holes (A,B,C) for drilling. Insure that backset and height match active trim. Proceed to Step 2
Bored doors – Mark and drill hole C (5/16") for appropriate handleset design. Now proceed to handleset installation instructions Step 1 on reverse side.



- 2 Drill a 2-1/8" diameter face bore (A). Drill the 1/2" dummy cylinder hole (B) through the door. Drill the 5/16" lower pull assembly hole (C) for the appropriate handleset shown on template.

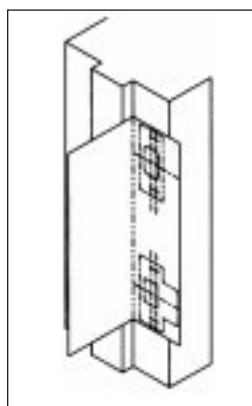
Caution: Re-check hole locations before drilling.

A - 2-1/8"
B - 1/2"
C - 5/16" Drill for proper handleset

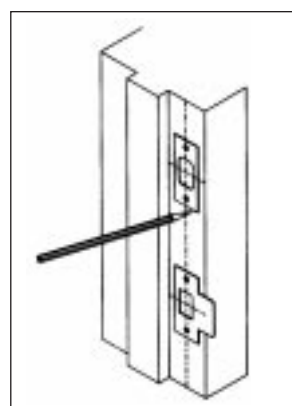


Strike Installation

- 1 Mark door frame using strike marking template, locate and mark strike mounting screws and centering points for both strikes at required door thickness.



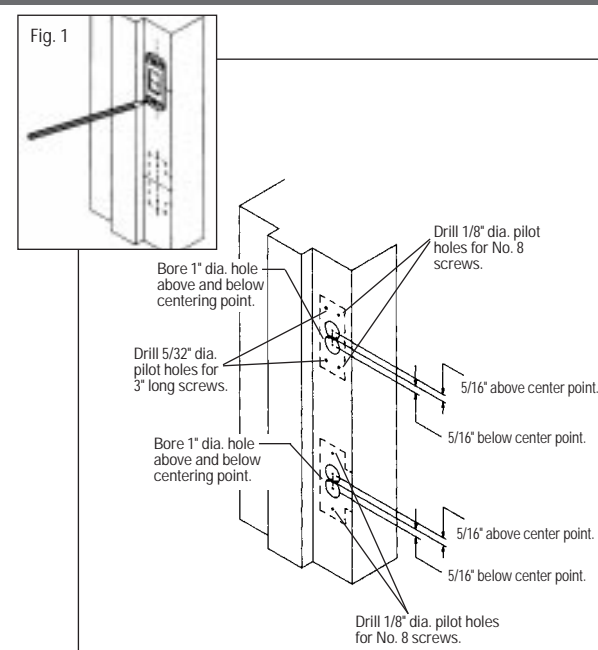
- 2 Align and trace the outline of strikes onto the door frame using mounting screw marks for location.



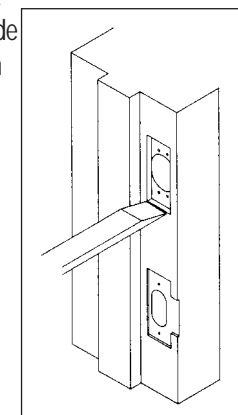
TEAR HERE FOR ENGLISH.

- 3 For Deadbolt Strike: Using reinforcing strike as a template, mark locations for reinforcing screws (fig. 1). Drill two 5/32" dia. pilot holes for the 3" long screws and two 1/8" dia. pilot holes for the #8 x 3/4" screws. Mark drill points 5/16" above and below centering point. Bore two 1" dia. holes 1-1/4" deep at these points. Chisel out holes for dust box.

For Latch Strike: At previously marked locations, drill two 1/8" dia. pilot holes for the #8 x 3/4" screws. Mark drill points 5/16" above and below centering point. Bore two 1" dia. holes x 1" deep at these points. Chisel out holes for dust box.

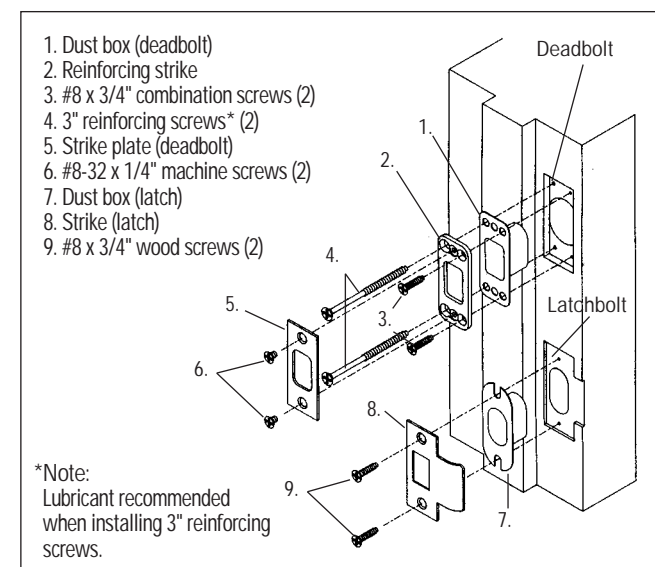


- 4 For Deadbolt Strike, mortise 7/32" deep or until the strike box, reinforcing strike and strike plate fits inside mortise and flush with the door frame.
For Latch Strike, mortise 3/32" deep or until strike box and strike fit inside mortise and flush with the door frame.



TEAR HERE FOR ENGLISH.

- 5 Installation: Install strike as illustrated.



TEAR HERE FOR ENGLISH.

IMAGES®

Entrance Escutcheon Handleset Installation Instructions



BALDWIN®

PK-1084 (8/98)