

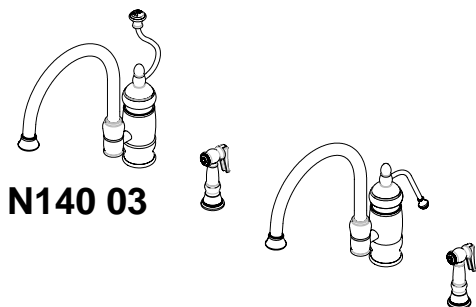


Belle Forêt
collection

N140, 141, 142 SINGLE HANDLE KITCHEN FAUCET

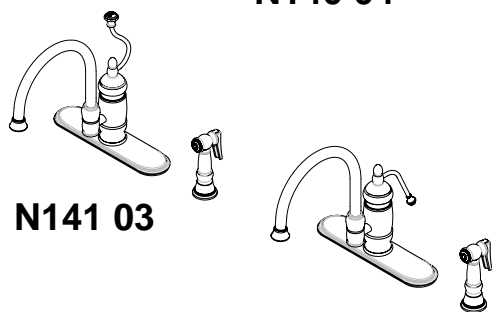
Product Features

- 2, 3 or 4-Hole Installation
- 2.2 GPM @ 60PSI water saving aerator
- Metal side spray with finish matched lever
- Brass body
- ½" 14 NPS Inlet
- Ceramic cartridge
- Handle:
 - Spiral handle N140 03, N141 03, N142 03
 - Pump handle N140 04, N141 04, N141 04



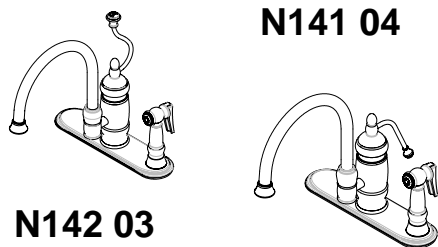
N140 03

N140 04



N141 03

N141 04



N142 03

N142 04

Standards/Approvals

- N140, N141, N142 meets or exceeds:
- ANSI/ASME A112.18.1
- ANSI/NSF 61 – Sec 9
- IAPMO/UPC
- California Proposition 65
- Massachusetts
- Meets ADA requirements



UPC®



PRODUCT SPECIFICATION:

Single-handle kitchen faucet shall have a brass body, ceramic cartridge, 9-15/16" spout, metal side spray with finish matched lever and metal spiral or metal pump handle. Product shall be able to be installed in 2, 3 or 4-hole installation. Product shall be Belle Forêt model N14_____.



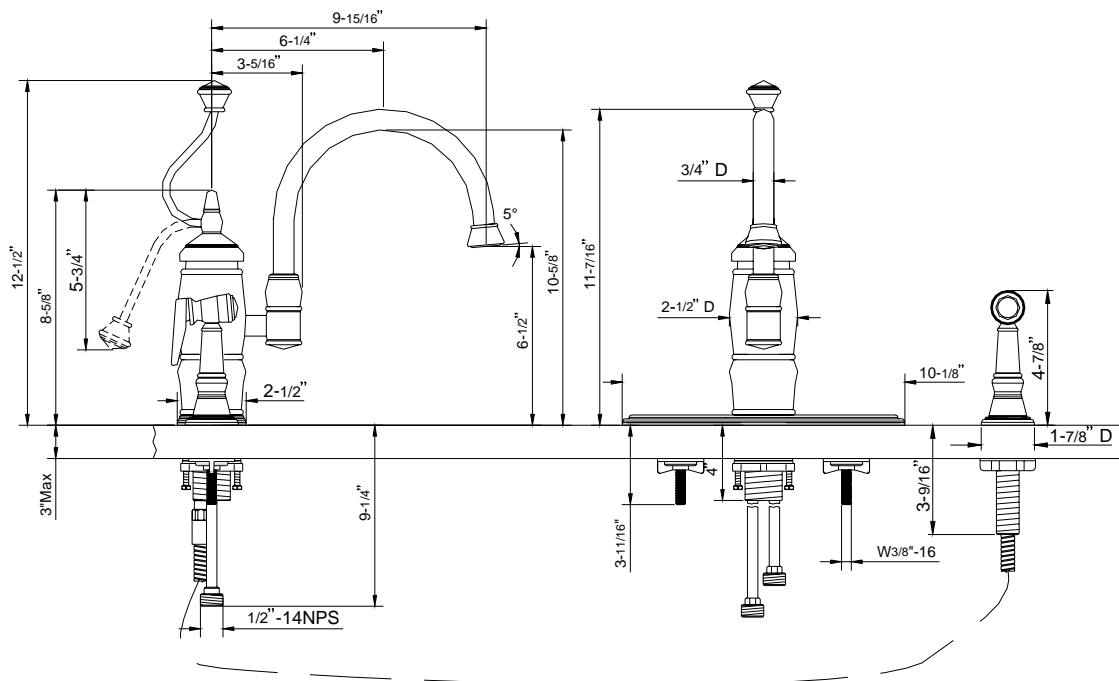
Belle Forêt
collection

N140, 141, 142

SINGLE HANDLE KITCHEN FAUCET

4-Hole Installation Shown

(With Deckplate)



Other Specifications

Faucet Hole diameter	1-1/2"
Deck Plate	6-1/4" x 2-5/16"
Single Post Mount Installation (less deckplate)	
Max Deck Thickness	3-3/8"
Body Base Diameter	2-5/16"
Spout Height	11-1/16"
Aerator Clearance	6-1/8"
Spout Clearance	10-1/4"

Available Finishes

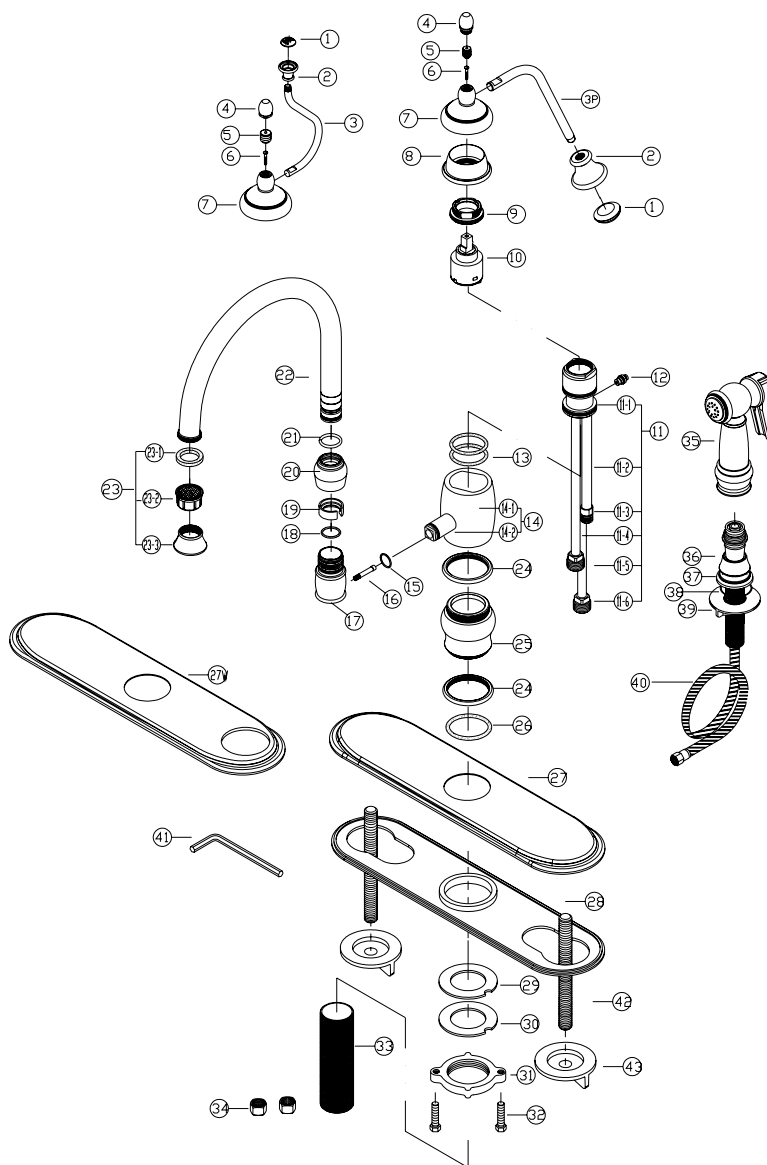
- Chrome
- Polished Brass
- Satin Nickel
- Oil Rubbed Bronze
- Matte Nickel
- Weathered Copper



Belle Forêt
collection

N140, 141, 142 SINGLE HANDLE KITCHEN FAUCET

PARTS BREAKDOWN





Belle Forêt
collection

N140, 141, 142

SINGLE HANDLE KITCHEN FAUCET

PARTS LISTING

No	Name	Kit# / Part#	Q'ty	No	Name	Kit# / Part#	Q'ty
1	Porc. Index	N/A	1	18	O-RING	663970N	1
2	Knob		1	19	Clip ring		1
3	Spiral wire		1	21	O-RING		1
3P	Pump wire		1	20	Bonnet	N/A	1
4	Cap		1	22	Spout assembly		1
5	Set screw		1	23	Aerator	500767Nxx	
6	Screw		1	23-1			1
7	Canopy		1	23-2			1
8	Cap		1	23-3			1
9	Retainer nut	1	24	Trim ring	012153xx	1	
10	Cartridge	507348N	1	25	Body base	N/A	1
11	Body assembly	N/A		26	O-RING		1
11-1			1	27	Deck plate		1
11-2			1	27W	Deck plate		1
11-3			1	28	Bottom plate		1
11-4			1	29	Seal		1
11-5			1	30	Washer		1
11-6	2	31	Wing nut	1			
12	Diverter	501114N	1	32	Screw		2
13	O-RING	N/A	2	33	Shank		1
14	Sleeve			34	Nut	2	
14-1			1	35	Spray head	503122Nxx	1
14-2	1		36	Spray holder	664160xx	1	
15	O-RING		1	37		Spray flange	1
16	Connector		1	38		O-RING	1
17	Spout base		1	39		Nut	1
				40	Spray hose	511103Nxx	1
				41	Allen wrench	N/A	1
				42	Bolt		2
				43	Nut		2

xx designates finish matched parts.