



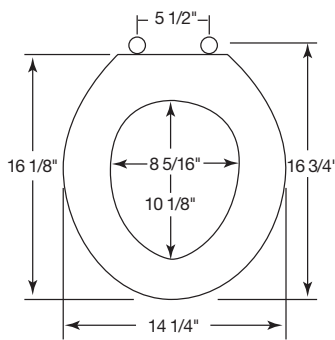
R E S I D E N T I A L P L A S T I C S E A T S



# 100EC

## EASY•CLEAN & CHANGE™

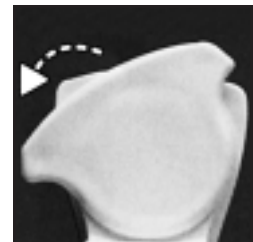
Seats shall be No. 100EC as manufactured by Bemis Manufacturing Co. Seats shall be heavy weight and injection molded of solid plastic. Seats shall be closed front with cover for round bowl and feature large, molded-in bumpers. Color-matched, Easy•Clean & Change™ hinges lift-off™ for easy cleaning. Color to be \_\_\_\_\_. (specify white or fixture manufacturer's color)



Ring thickness is 3/4"  
 Ring thickness including the bumper is 1-1/8"  
 Height of the seat with cover is 2-1/4"



EASY•CLEAN & CHANGE™  
HINGE



TWIST HINGE TO UNLOCK



LIFT-OFF™ FEATURE



EASY•CLEAN & CHANGE™  
LIFTS OFF FOR EASY  
CLEANING