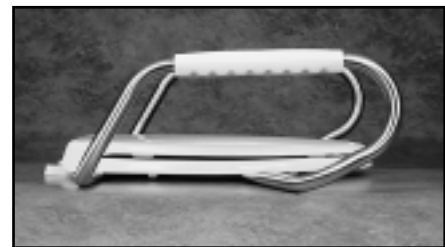
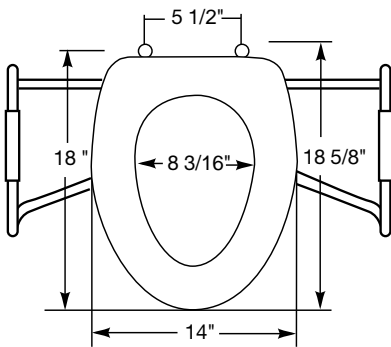




M E D I C - A I D [®] S E A T S

MA2100

Seats shall be No. MA2100 as manufactured by Bemis Manufacturing Co. Seats shall be closed front with cover for elongated bowl and injection molded of heavy duty solid plastic. Seats shall contain DuraGuard[®], an antimicrobial agent. Factory-assembled "Safety-Side" arms shall be heavy-duty stainless steel and feature textured plastic handgrips with finger grooves. Seats shall feature large molded-in bumpers. Hinges shall feature 300 Series stainless steel mounting posts, washers, and hex nuts. Color to be white.



Ring thickness is 3/4"
Ring thickness including the bumper is 1-1/16"
Height of the seat with cover is 2-1/4"

