

FEATURED MODEL

441119 BLANCO Performa Medium Reverse
1-3/4 MicroEdge™

ADDITIONAL MODEL

441118 BLANCO Performa Medium 1-3/4 MicroEdge™

FEATURES

- German specification 18 gauge, 304 series stainless steel
- Premium 18/10 chrome/nickel content
- Hand Polished Satin finish offer luxurious look
- Versatile design with Inset (Similar to Drop-in) or Flushmount installation capabilities
- Polished "MicroEdge" rim with our unique clip system locks the rim into any countertop material.
- Rear drain placement provides MAXIMUM flat space
- New design allows for easy installation in standard 25" countertop

CODE/STANDARDS COMPLIANCE

ASME 112.19.3-00

IAPMO/UPC listed

OPTIONAL ACCESSORIES

Sink Grids: 220577 Large, 220580 Small
 Mesh Colander: 222401
 Steel Colander: 514015
 Cutting Board: 440155

WARRANTY

Blanco America's BLANCO PERFORMA MICROEDGE sinks feature a LIMITED LIFETIME WARRANTY to be free of all manufacturing defects under normal use. See our complete warranty for details.

While Blanco America endeavors to provide accurate information, all dimensions are nominal, cannot be guaranteed, and are subject to change or cancellation. Blanco America assumes no responsibility for use of superseded or voided specifications.

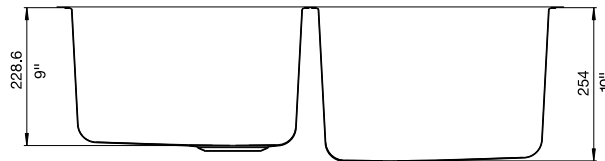
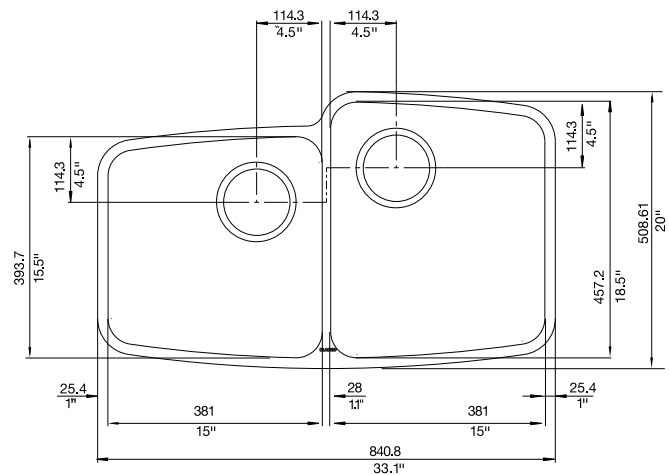


MODEL 441119

NOMINAL DIMENSIONS

MODEL	OVERALL	CUTOUT SIZE	BOWL DEPTH LEFT	BOWL DEPTH RIGHT	DRAIN DIAMETER
441119	33-1/8 x 20	Template provided with approximate 1/8" reveal	9	10	3-1/2

DXF cutout templates available on our web site.



JOB INFORMATION

Job Name: _____

Contact: _____

Date Specified: _____

Specifier: _____

Contractor: _____