

#### FEATURED MODEL

440063 CASCADE SUPER SINGLE Under Mount CAFE BROWN

#### ADDITIONAL MODELS

441291 CASCADE SUPER SINGLE Under Mount TRUFFLE

441227 CASCADE SUPER SINGLE Under Mount BISCOTTI

440066 CASCADE SUPER SINGLE Under Mount WHITE

440065 CASCADE SUPER SINGLE Under Mount BISCUIT

440064 CASCADE SUPER SINGLE Under Mount ANTHRACITE

440067 CASCADE SUPER SINGLE Under Mount METALLIC GRAY

441476 CASCADE SUPER SINGLE Under Mount CINDER

#### FEATURES

- Raised ledge for placement of colander to rinse fruits, vegetables and utensils
- Functional drain grooves remove excess water into main sink
- Required Outside Cabinet: 36"
- 80% solid granite
- Heat resistant up to 536°F
- Unsurpassed cleanability backed by industry leading 7 patents!
- Resistant to scratches, stains and all household acids and alkali solutions
- Template provided with approximate 1/8" reveal
- Under mount clips included
- Limited lifetime warranty

#### INCLUDED ACCESSORY

Stainless Steel Mesh Colander (sits on ledge) - 222401

#### OPTIONAL ACCESSORIES

Stainless Steel Sink Grid Large - 222472

Walnut Cutting Board - 222591

#### CODE/STANDARDS COMPLIANCE

ANSI Z124.6-97  
IAPMO/UPC listed

#### WARRANTY

BLANCO'S SILGRANIT II Series sinks feature a LIMITED LIFETIME WARRANTY to be free of all manufacturing defects under normal use. See our complete warranty for details.

While BLANCO endeavors to provide accurate information, all dimensions are nominal, cannot be guaranteed, and are subject to change or cancellation. BLANCO assumes no responsibility for use of superseded or voided specifications.

#### JOB INFORMATION

Job name: \_\_\_\_\_

Contact: \_\_\_\_\_

Date Specified: \_\_\_\_\_

Specifier: \_\_\_\_\_

Contractor: \_\_\_\_\_

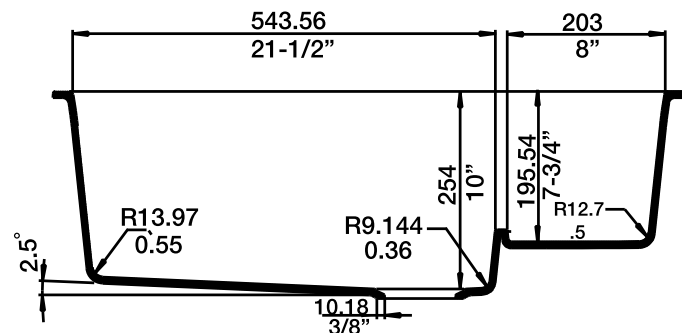
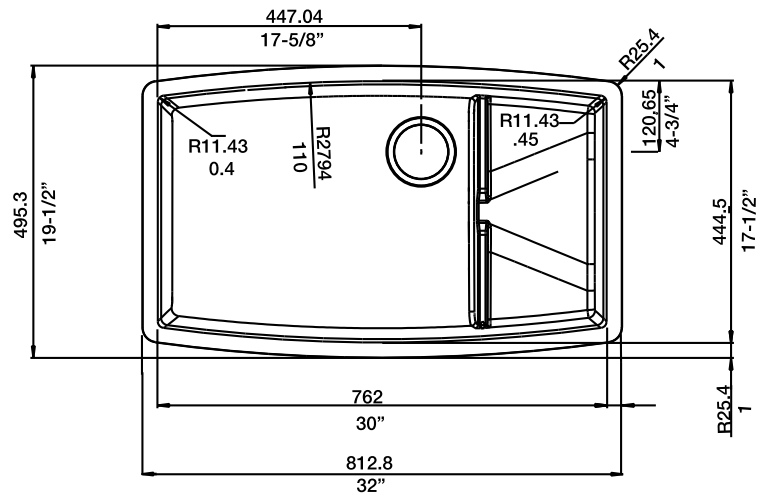


#### NOMINAL DIMENSIONS

Model 440063 shown

OVERALL	CUT OUT SIZE	BOWL DEPTH LEFT	BOWL DEPTH RIGHT	DRAIN
32 x 19-1/2"	template provided with approximate 1/8" reveal	10"	7-3/4"	3-1/2"

DXF cutout templates available on our web site.



BLANCO AMERICA

800.451.5782

www.blancoamerica.com

© 2011 BLANCO  
2/11

SPEC-003