

### FEATURED MODEL

441498 GRACE II Pull Out w/ Dual Spray  
in Chrome Finish

### ADDITIONAL MODELS

441499 GRACE II Pull Out w/ Dual Spray  
in Satin Nickel Finish

### FEATURES

- 120 degree radius swivel spout
- AB1953 compliant
- Dual spray function
- Solid brass body
- Ceramic disc cartridge
- Color coded hot & cold supply lines
- Durable spiral flexible pull-out spray hose
- 2.2 GPM flow rate
- Installation in a 1-3/8" hole

### CODE/STANDARDS COMPLIANCE

ASME A112.18.1-2005  
IAPMO Certified

**AB1953 Lead Free**

### WARRANTY

BLANCO kitchen faucets in Chrome and Satin Nickel finishes feature a LIMITED LIFETIME WARRANTY to be free of all manufacturing defects under normal use. See our complete warranty for details.

While BLANCO endeavors to provide accurate information, all dimensions are nominal, cannot be gaurenteed, and are subject to change or cancellation. BLANCO assumes no responsibility for use of suspended or voided specifications.

### JOB INFORMATION

Job Name: \_\_\_\_\_

Contact: \_\_\_\_\_

Date Specified: \_\_\_\_\_

Specifier: \_\_\_\_\_

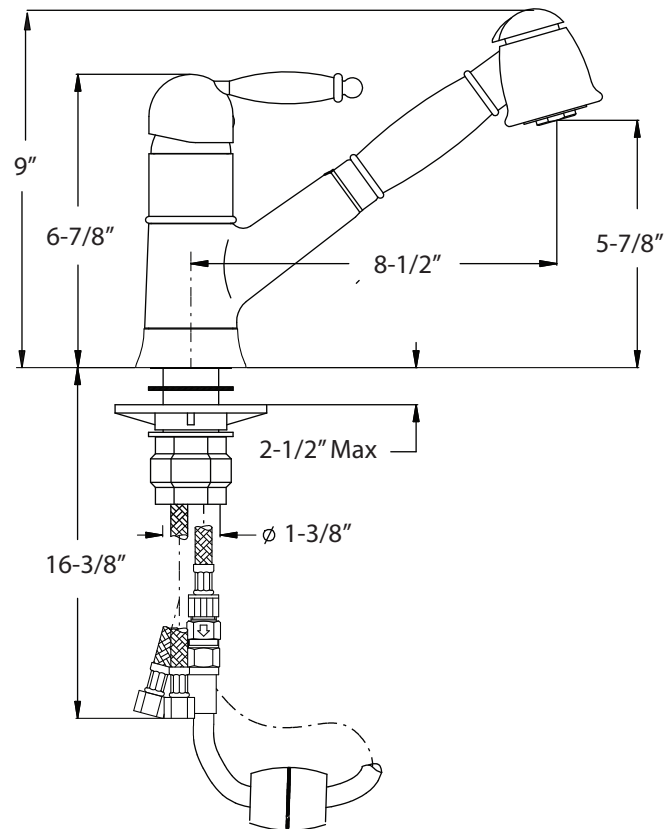
Contractor: \_\_\_\_\_



### NOMINAL DIMENSIONS

Model 441499 shown

REACH	SPOUT HEIGHT	FAUCET HEIGHT
8-1/2"	5-7/8"	9"



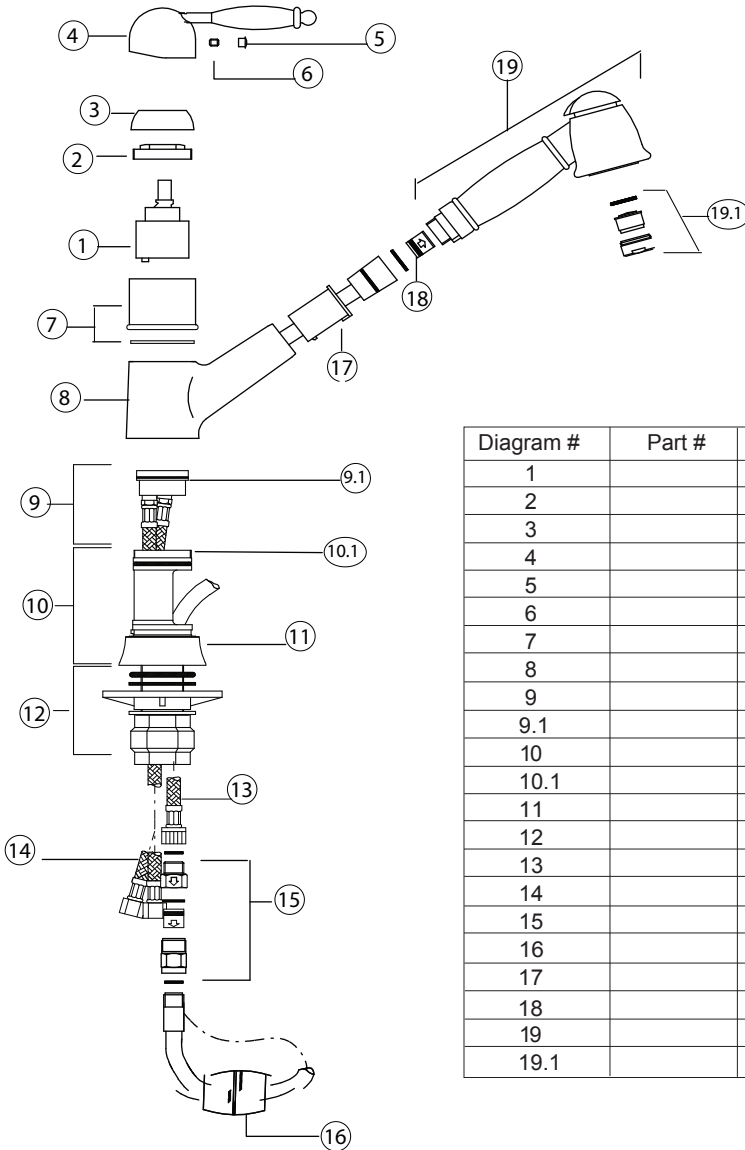


Diagram #	Part #	Description
1		Cartridge
2		Cartridge lock nut
3		Cartridge cap
4		Handle Chrome
5		Button
6		Handle screw
7		Cartridge housing
8		Body
9		Harness
9.1		O-ring
10		Inner Body
10.1		Inner Body O-ring
11		Base ring - Chrome
12		Mounting Nut Assembly
13		Supply hose
14		Supply lines
15		Check valve Assembly 2.2gpm
16		Weight
17		Spray Insert
18		Flow regulator
19		Handspray - Chrome
19.1		Aerator Kit