

FEATURED MODEL

441500 GRACE II 1.8 Pull Out w/ Dual Spray
 in Chrome Finish

ADDITIONAL MODELS

441501 GRACE II 1.8 Pull Out w/ Dual Spray
 in Satin Nickel Finish

FEATURES

- 120 degree radius swivel spout
- AB1953 compliant
- Dual spray function
- Solid brass body
- Ceramic disc cartridge
- Color coded hot & cold supply lines
- Durable spiral flexible pull-out spray hose
- 1.8 GPM flow rate saves 20% more water
- Installation in a 1-3/8" hole

CODE/STANDARDS COMPLIANCE

ASME A112.18.1-2005
 IAPMO Certified

AB1953 Lead Free

WARRANTY

BLANCO kitchen faucets in Chrome and Satin Nickel finishes feature a LIMITED LIFETIME WARRANTY to be free of all manufacturing defects under normal use. See our complete warranty for details.

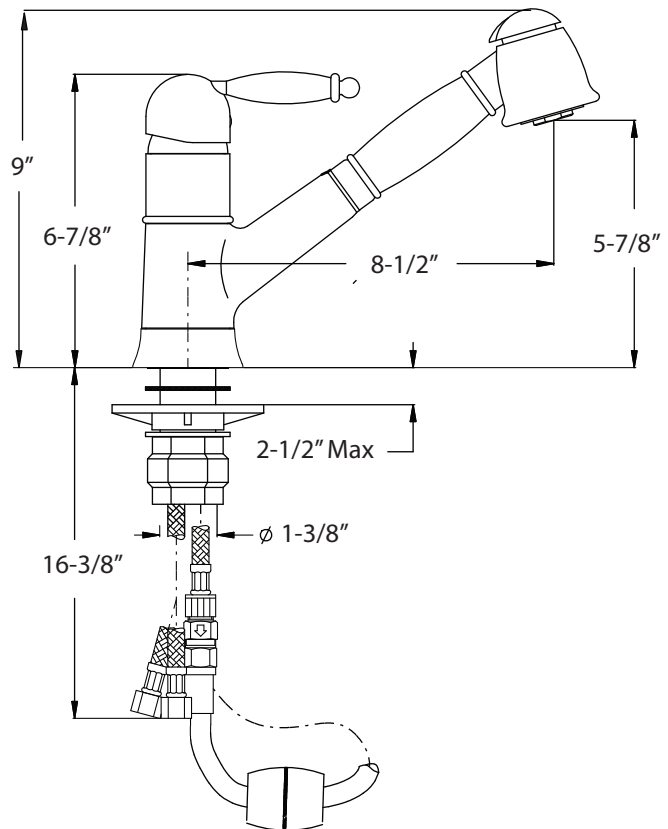
While BLANCO endeavors to provide accurate information, all dimensions are nominal, cannot be gaurenteed, and are subject to change or cancellation. BLANCO assumes no responsibility for use of suspended or voided specifications.



NOMINAL DIMENSIONS

Model 441501 shown

REACH	SPOUT HEIGHT	FAUCET HEIGHT
8-1/2"	5-7/8"	9"



JOB INFORMATION

Job Name: _____

Contact: _____

Date Specified: _____

Specifier: _____

Contractor: _____

BLANCO AMERICA
800.451.5782
www.blancoamerica.com

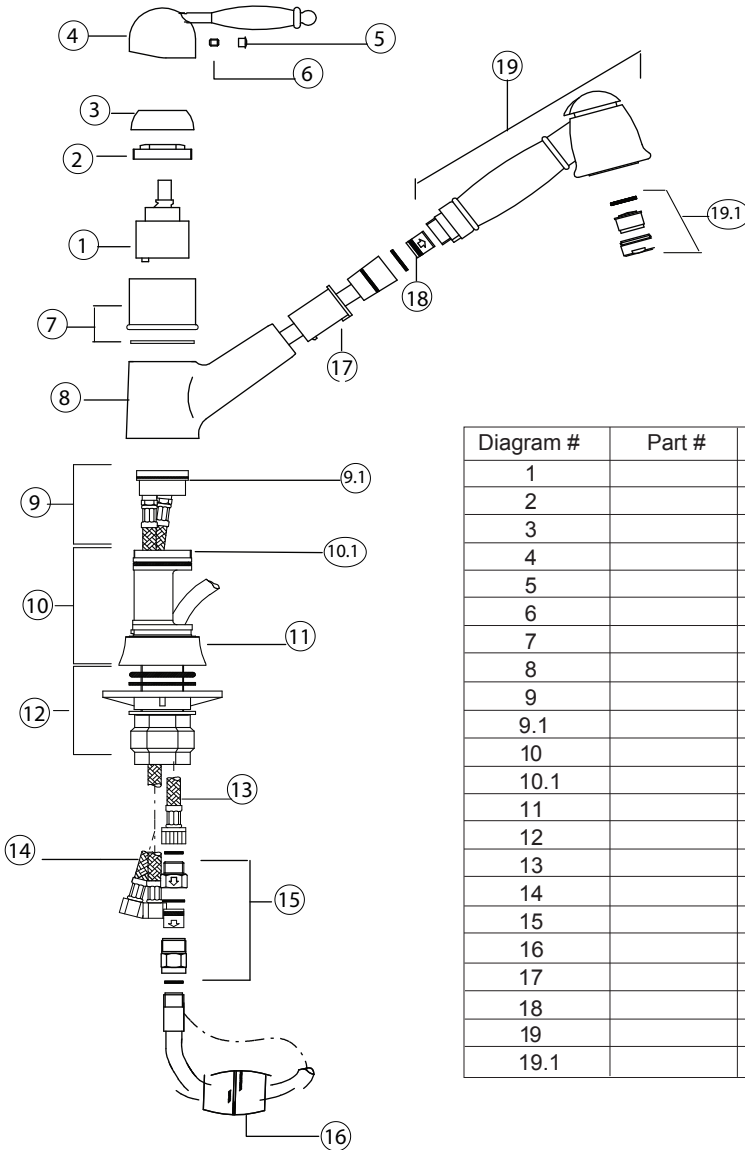


Diagram #	Part #	Description
1		Cartridge
2		Cartridge lock nut
3		Cartridge cap
4		Cartridge chrome
5		Button
6		Handle screw
7		Cartridge housing
8		Body
9		Harness
9.1		O-ring
10		Inner Body
10.1		Inner Body O-ring
11		Base ring - Chrome
12		Mounting Nut Assembly
13		Supply hose
14		Supply lines
15		Check valve Assembly 1.8 gpm
16		Weight
17		Spray Insert
18		Flow regulator
19		Handspray - Chrome
19.1		Aerator Kit