

IMPORTANT:
Read Before Using

IMPORTANT :
Lire avant usage

IMPORTANTE:
Leer antes de usar

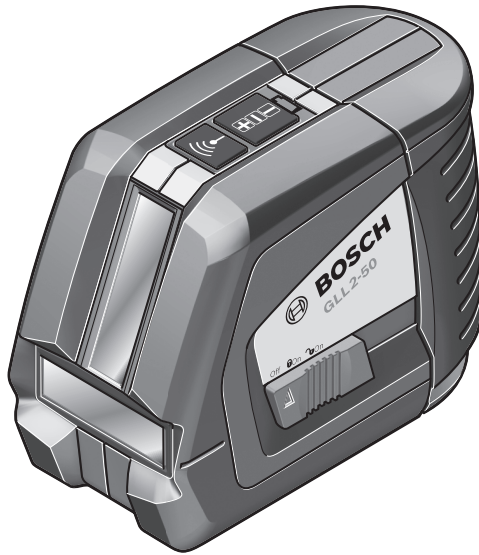


Operating/Safety Instructions

Consignes de fonctionnement/sécurité

Instrucciones de funcionamiento y seguridad

GLL2-50



BOSCH

**Call Toll Free for
Consumer Information
& Service Locations**

**Pour obtenir des informations
et les adresses de nos centres
de service après-vente,
appelez ce numéro gratuit**

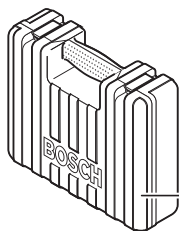
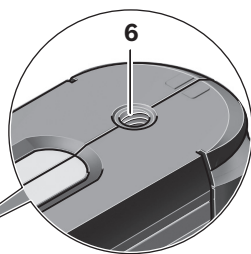
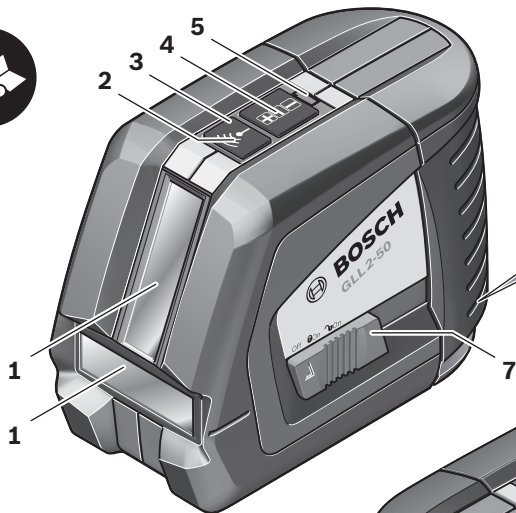
**Llame gratis para
obtener información
para el consumidor y
ubicaciones de servicio**

1-877-BOSCH99 (1-877-267-2499) www.boschtools.com

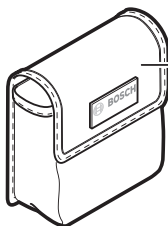
**For English Version
See page 6**

**Version française
Voir page 15**

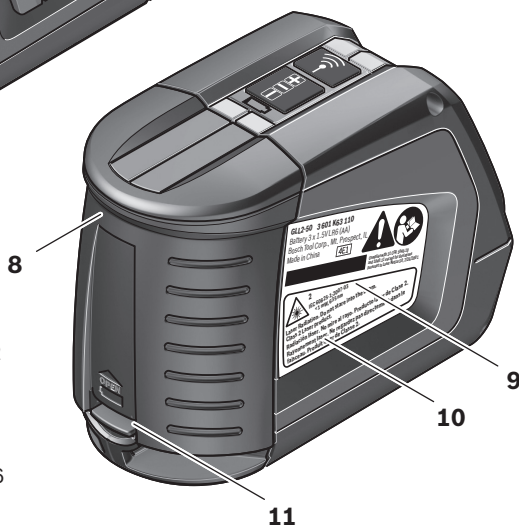
**Versión en español
Ver la página 23**



13
2 605 438 682



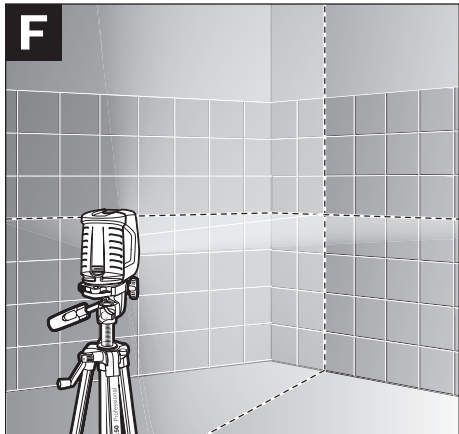
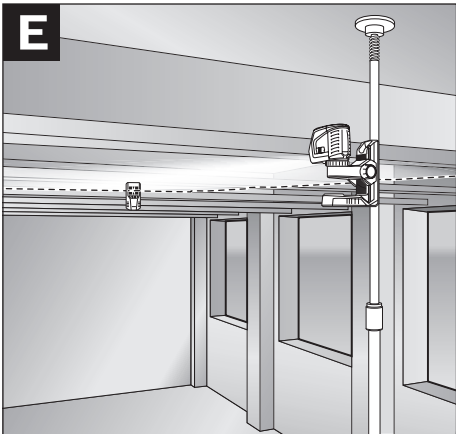
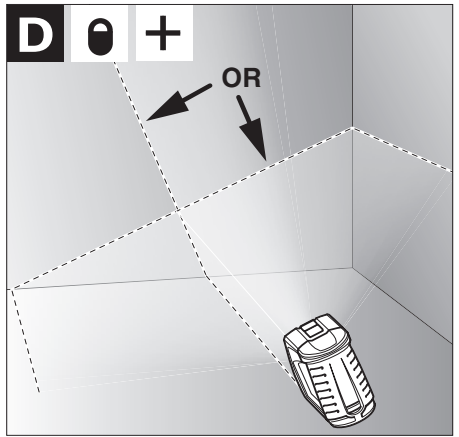
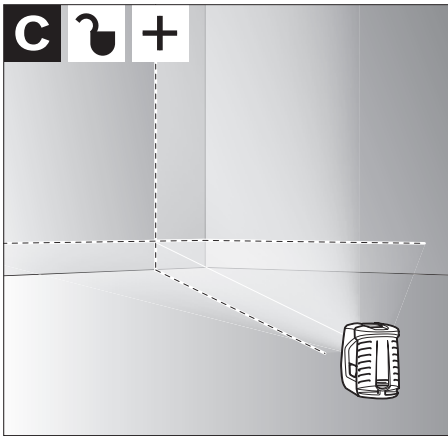
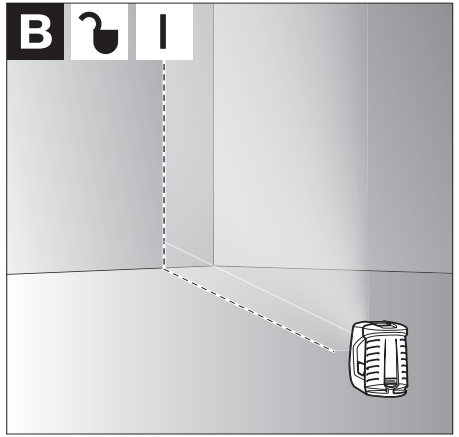
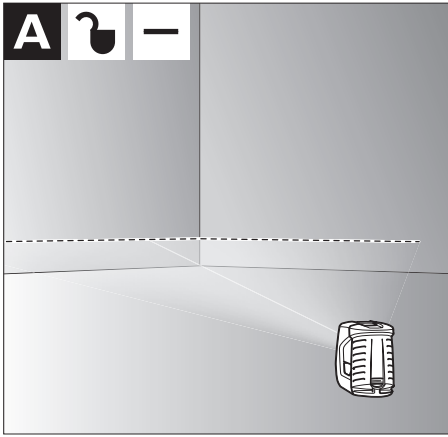
12
1 618 C01 066

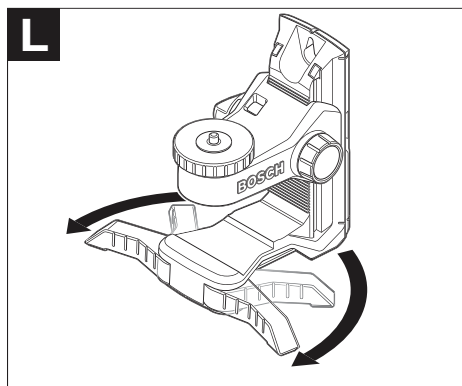
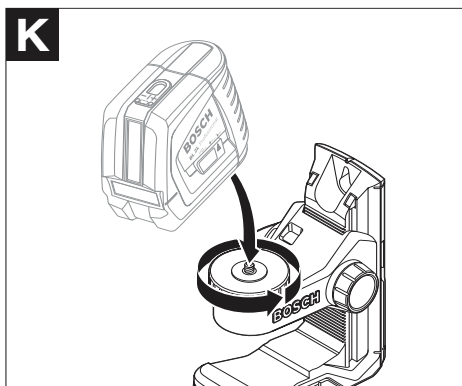
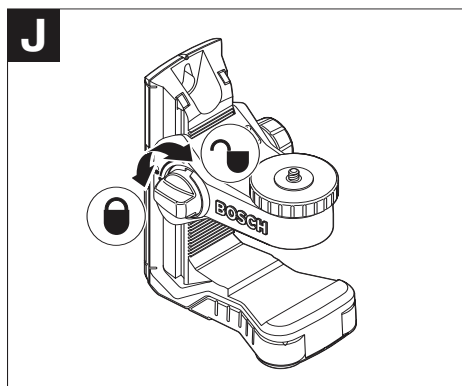
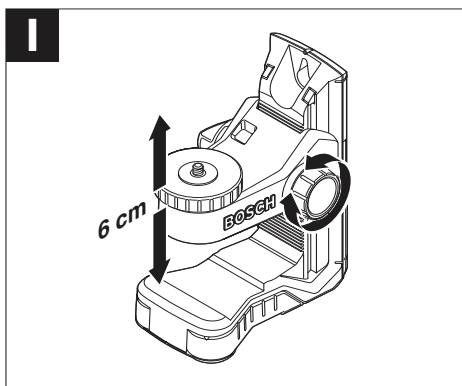
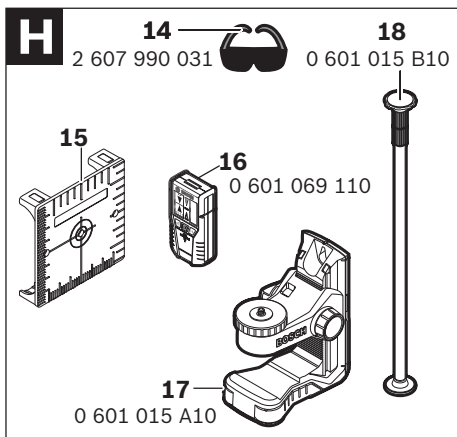
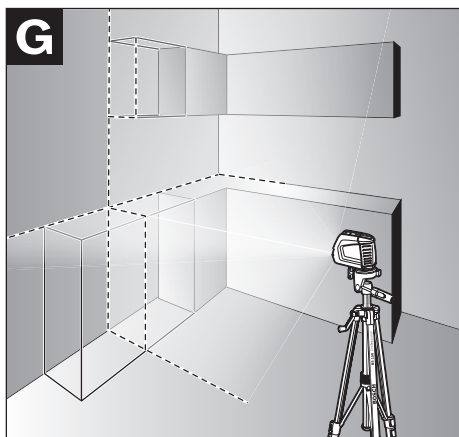


6012 900 3 9012 903 310
Bosch Power Tools
Bosch Power Tools Corp. - No. 10000
Munich, Germany

CAUTION
Use only with the Bosch GLL 250 level. Do not use for other purposes. The level is not suitable for use on uneven surfaces. The level is not suitable for use on uneven surfaces. The level is not suitable for use on uneven surfaces.

RECYCLED MATERIALS
This product is made of recycled materials. It is not suitable for use on uneven surfaces. The level is not suitable for use on uneven surfaces. The level is not suitable for use on uneven surfaces.

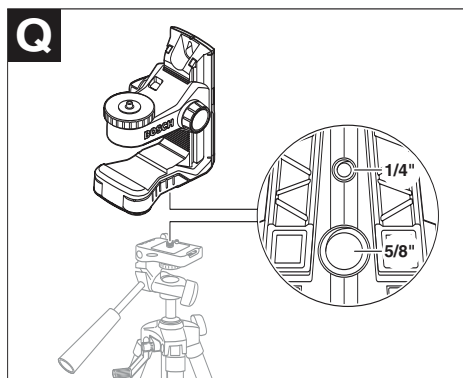
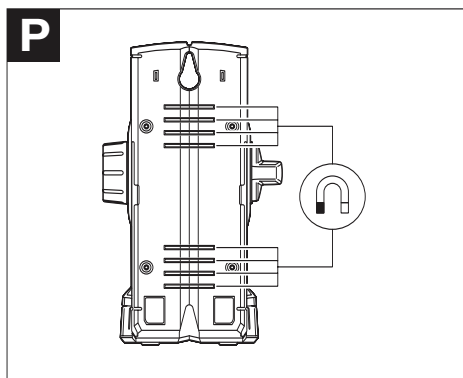
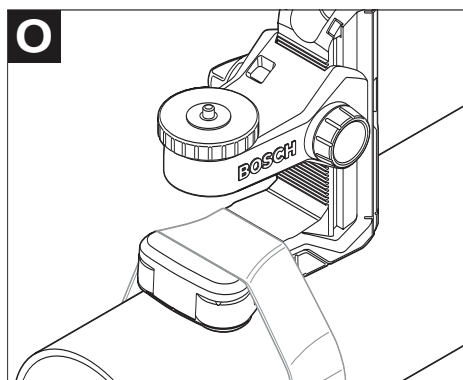
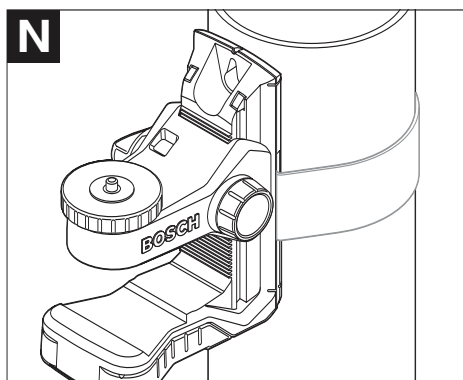
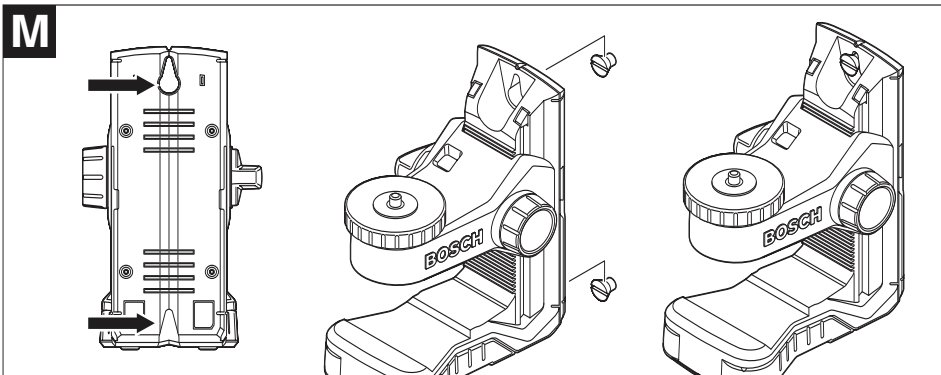




⚠ WARNING Make sure that this device and the tool are securely mounted before operation.

⚠ AVERTISSEMENT Assurez-vous que cet appareil et l'outil sont solidement assujettis avant de les utiliser.

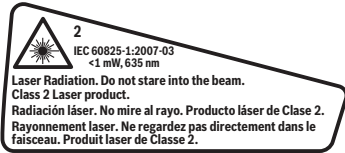
⚠ ADVERTENCIA Asegúrese de que este dispositivo y la herramienta estén montados de manera segura antes de su utilización.



General Safety Rules

⚠ WARNING Read all instructions. Failure to follow all instructions listed below may result in hazardous radiation exposure, electric shock, fire and/or serious injury. The term “tool” in all of the warnings listed below refers to your mains-operated (corded) tool or battery-operated (cordless) tool.

⚠ WARNING The following labels are on your laser tool for your convenience and safety. They indicate where the laser light is emitted by the tool. ALWAYS BE AWARE of their location when using the tool.



Do not direct the laser beam at persons or animals and do not stare into the laser beam yourself. This tool produces laser class 2 laser radiation and complies with 21 CFR 1040.10 and 1040.11 except for deviations pursuant to Laser Notice No. 50, dated June 24, 2007. This can lead to persons being blinded.

DO NOT remove or deface any warning or caution labels. Removing labels increases the risk of exposure to laser radiation.

Use of controls or adjustments or performance of procedures other than those specified in this manual, may result in hazardous radiation exposure.

ALWAYS make sure that any bystanders in the vicinity of use are made aware of the dangers of looking directly into the laser tool.

DO NOT place the laser tool in a position that may cause anyone to stare into the laser beam intentionally or unintentionally. Serious eye injury could result.

ALWAYS position the laser tool securely. Damage to the laser tool and/or serious injury to the user could result if the laser tool fails.

ALWAYS use only the accessories that are recommended by the manufacturer of your laser tool. Use of accessories that have been designed for use with other laser tools could result in serious injury.

DO NOT use this laser tool for any purpose other than those outlined in this manual. This could result in serious injury.

DO NOT leave the laser tool “ON” unattended in any operating mode.

DO NOT disassemble the laser tool. There are no user serviceable parts inside. Do not modify the product in any way. Modifying the laser tool may result in hazardous laser radiation exposure.

DO NOT use the laser viewing glasses as safety goggles. The laser viewing glasses are used for improved visualization of the laser beam, but they do not protect against laser radiation.

DO NOT use the laser viewing glasses as sun glasses or in traffic. The laser viewing glasses do not afford complete UV protection and reduce color perception.

DO NOT use any optical tools such as, but not limited to, telescopes or transits to view the laser beam. Serious eye injury could result.

DO NOT stare directly at the laser beam or project the laser beam directly into the eyes of others. Serious eye injury could result.

SAVE THESE INSTRUCTIONS

Work area safety

Keep work area clean and well lit.
Cluttered or dark areas invite accidents.

DO NOT operate the laser tool around children or allow children to operate the laser tool. Serious eye injury could result.

Electrical safety

⚠ WARNING Batteries can explode or leak, cause injury or fire.

To reduce this risk, always follow all instructions and warnings on the battery label and package.

DO NOT short any battery terminals.

DO NOT charge alkaline batteries.

DO NOT mix old and new batteries. Replace all of them at the same time with new batteries of the same brand and type.

DO NOT mix battery chemistries.

Dispose of or recycle batteries per local code.

DO NOT dispose of batteries in fire.

Keep batteries out of reach of children.

Remove batteries if the device will not be used for several months.

Personal safety

Stay alert, watch what you are doing and use common sense when operating a tool. Do not use a tool while you are tired or under the influence of drugs, alcohol or medication. A moment of inattention while operating a tool may result in serious personal injury or incorrect measurement results.

Use safety equipment. Always wear eye protection. Safety equipment such as dust mask, non-skid safety shoes, hard hat, or hearing protection used for appropriate conditions will reduce personal injuries.

Positioning Device



Keep the Positioning Device 17 away from cardiac pacemakers. The magnets (figure P) generate a field that can impair the function of cardiac pacemakers.

- **Keep the Positioning Device 17 away from magnetic data medium and magnetically-sensitive equipment.** The effect of the magnets (figure P) can lead to irreversible data loss.

Use and care

Use the correct tool for your application.
The correct tool will do the job better and safer.

Do not use the tool if the switch does not turn it on and off. Any tool that cannot be controlled with the switch is dangerous and must be repaired.

Store idle tool out of the reach of children and do not allow persons unfamiliar with the tool or these instructions to operate the tool. Tools are dangerous in the hands of untrained users.

Maintain tools. Check for misalignment or binding of moving parts, breakage of parts and any other condition that may affect the operation. If damaged, tool repaired before use. Many accidents are caused by poorly maintained tools.

Use the tool, accessories, etc., in accordance with these instructions and in the manner intended for the particular type of tool, taking into account the working conditions and the work to be performed. Use of the tool for operations different from those intended could result in a hazardous situation.

Service

Have your tool serviced by a qualified repair person using only identical replacement parts. This will ensure that the safety of the tool is maintained.

Develop a periodic maintenance schedule for tool. When cleaning a tool be careful not to disassemble any portion of the tool since internal wires may be misplaced or pinched or may be improperly mounted. Certain cleaning agents such as gasoline, carbon tetrachloride, ammonia, etc. may damage plastic parts.

SAVE THESE INSTRUCTIONS.

Intended Use

The tool is intended for determining and checking horizontal and vertical lines.

Preparation

Inserting/Replacing the Battery

Use only alkaline batteries.

To open the battery lid **8**, press the latch of the battery lid **11** in the direction of the arrow and remove the battery lid. Insert the supplied batteries.

When inserting, pay attention to the correct polarity according to the representation on the inside of the battery compartment.

When the battery indication **5** flashes red, the batteries must be replaced.

Always replace all batteries at the same time. Only use batteries from one brand and with the identical capacity.

- **Remove the batteries from the tool when not using it for extended periods.** When storing for extended periods, the batteries can corrode and discharge themselves.

Features

The numbering of the product features shown refers to the illustration of the tool on the graphic page.

- 1 Exit opening for laser beam
- 2 Pulse-function indicator
- 3 Pulse-function button
- 4 Operating mode button
- 5 Battery indication
- 6 Tripod mount 1/4"
- 7 On/Off switch
- 8 Battery lid
- 9 Serial number

- 10 Laser warning label
- 11 Latch of battery lid
- 12 Belt Pouch*
- 13 Case*
- 14 Laser viewing glasses*
- 15 Measurement plate with stand*
- 16 Laser Receiver*
- 17 Positioning Device
- 18 Telescoping Pole System

*The accessories illustrated or described are not included as standard delivery.

Technical Data

Working range
– Standard65 ft (20m)
– With laser receiver165 ft (50m)

Levelling Accuracy:

Minimum
Factory Accuracy (±0.3mm/m)
..... ± .0036in/ft
Typical Accuracy up to 1/4 at 100ft

Self-levelling range,
typically ±4°
Levelling duration,
typically <4s
Operating temperature 14° F 122° F
..... (-10° C +50° C)
Storage temperature -4° F 158° F
..... (-20° C +70° C)
Relative air humidity,
max.90 %

Laser class 2
Laser type635 nm, <1mW
C6 >3.33
Tripod mount 1/4-20
Batteries 3 x 1.5 V LR6 (AA)
Operating lifetime, approx. 12 h
Automatic switch-off after approx. . . .30 min
Weight according to EPTA-Procedure
01/2003 1lb (0.45kg)
Dimensions 4-5/8" x 2-1/4" x 3-1/2"
..... (118x 57 x 89mm)
Degree of protection IP 54
(dust and splash water protected)

Please observe the article number on the type plate of your tool. The trade names of the individual tools may vary.



The tool can be clearly identified with the serial number **9** on the type plate.

Operation

Initial Operation

- **Protect the tool against moisture and direct sun irradiation.**
- **Do not subject the tool to extreme temperatures or variations in temperature.**
As an example, do not leave it in vehicles for longer periods. In case of large variations in temperature, allow the tool to adjust to the ambient temperature before putting it into operation. In case of extreme temperatures or variations in temperature, the accuracy of the tool can be impaired.
- **Avoid heavy impact or falling of the tool.** After heavy exterior impact on the tool, an accuracy check should always be carried out before continuing to work (see “Leveling Accuracy”).
- **Switch the tool off during transport.** When switching off, the leveling unit, which can be damaged in case of intense movement, is locked.

Switching On and Off

To switch on the tool, push the On/Off switch **7** to the “ on” position (when working without automatic leveling) or to the “ on” position (when working with automatic leveling). Immediately after switching on, the tool sends laser beams out of the exit openings **1**.

- **Do not point the laser beam at persons or animals and do not look into the laser beam yourself, not even from a large distance.**

To **switch off** the tool, push the On/Off switch **7** to the “off” position. When switching off, the leveling unit is locked.

Deactivating the Automatic Shut-off The tool switches off automatically after an operating duration of 30 minutes. To deactivate the automatic switch-off, keep the operating mode button **4** pressed for 3 s while switching on the tool. When the automatic switch-off is deactivated, the laser lines briefly flash after 3 s.

- **Do not leave the switched on measuring tool unattended and switch the tool off after use.** Other persons could be blinded by the laser beam.

To activate the automatic shut-off, switch the tool off and then on again (without the

operating mode button **4** pushed).

Operating Modes (see figures A–D)

The tool has three operating modes between which you can switch at any time:

- Horizontal operation “–”: Produces a horizontal laser line,
- Vertical operation “|”: Produces a vertical laser line,
- Cross-line operation “+”: Produces a horizontal and vertical laser line.

All three operating modes can be selected in the automatic leveling mode. In the locked mode, either the horizontal operation or the vertical operation mode can be selected.

After switching on, the tool is in cross-line operating mode. To change the operating mode, press the operating mode button **4**.

Pulse Function

The LR2 laser receiver allows the GLL2-50 to be used in situations in which the lines cannot be seen. The pulse function is activated separately from the selection of the operating mode. The GLL2-50 does not work with other laser receivers.

In pulse function, the laser lines flash at very high frequency and thus become detectable for the laser receiver **16**.


To switch on the pulse function, press button **3**. When the pulse function is switched on, the pulse-function indicator **2** lights up green.

When the pulse function is switched on, the visibility of the laser lines is reduced for the human eye. Therefore, shut off the pulse function by pushing button **3** again when working without laser receiver. When the pulse function is switched off, the pulse-function indicator **2** is deactivated.

Automatic Leveling

Working with Automatic Leveling (see figure C)

Position the tool on a level and firm support or attach it to a commercially available photographic tripod.


When working with automatic leveling, push the On/Off switch **7** to the “ on” position.

After switching on, the leveling function automatically compensates irregularities within the self-leveling range of $\pm 4^\circ$. The tool is levelled in as soon as the laser lines no longer flash.

If the automatic levelling function is not possible, e.g. because the surface on which the tool stands deviates by more than 4° from the horizontal plane, the laser beams flash. In this case, bring the tool to the level position and wait for the self-levelling to take place.

In case of ground vibrations or position changes during operation, the tool is automatically levelled in again. To avoid errors, check the position of the horizontal and vertical laser line with regard to the reference points upon re-levelling.

Lock Mode - Working without Automatic Levelling (see figure D)

For work without automatic levelling, push the On/Off switch 7 to the “ on” position. When the automatic levelling is switched off, the laser line flash continuously.

When the automatic levelling is switched off, the tool can be held by hand or placed on an inclined surface.

Working Advice

- **Always use the center of the laser line for marking.** The width of the laser line changes with the distance.

Leveling Accuracy

Influences on Accuracy

The ambient temperature has the greatest influence. Especially temperature differences occurring from the ground upward can divert the laser beam.

Because the largest difference in temperature layers is close to the ground, the tool should always be mounted on a tripod when measuring distances exceeding 65 ft. If possible, also set up the tool in the centre of the work area.

Apart from exterior influences, device specific influences (such as heavy impact or falling down) can lead to deviations. Therefore, check the accuracy of the tool each time before starting your work.

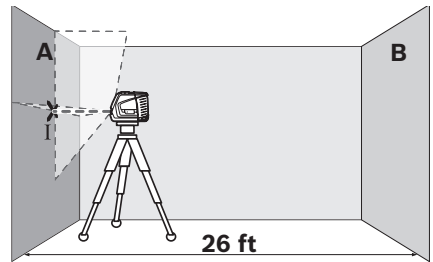
First, check both the height as well as the leveling accuracy of the horizontal laser line, then the leveling accuracy of the vertical laser line.

Should the tool exceed the maximum deviation during one of the tests, please have it repaired by a Bosch after-sales service center.

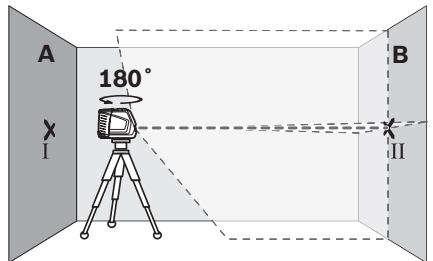
Checking the Height Accuracy of the Horizontal Line

For this check, a free measuring distance of approximately 26 feet on a firm surface between two walls A and B is required.

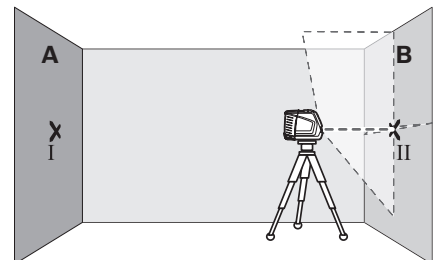
- Mount the tool onto a tripod or place it on a firm and level surface close to wall A. Switch on the tool. Select cross-line operation with automatic leveling.



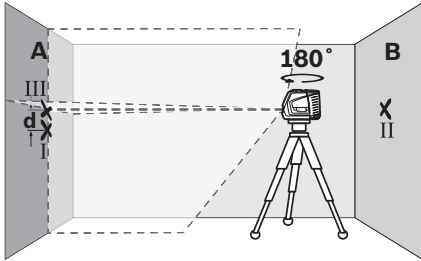
- Direct the laser against the close wall A and allow the tool to level in. Mark the center of the point where the laser lines cross each other on the wall (point I).



- Turn the tool by 180°, allow it to level in and mark the cross point of the laser lines on the opposite wall B (point II).



- Without turning the tool, position it close to wall B. Switch the tool on and allow it to level in.
- Align the height of the tool (using a tripod or by underlaying, if required) in such a manner that the cross point of the laser lines is projected against the previously marked point II on the wall B.



- Without changing the height, turn around the tool by 180°. Direct it against the wall A in such a manner that the vertical laser line runs through the already marked point I.

Allow the tool to level in and mark the the cross point of the laser lines on the wall A (point III).

- The difference d of both marked points I and III on wall A indicates the actual height deviation of the tool.

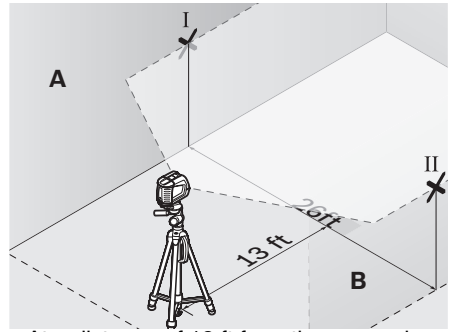
The maximum permitted deviation d_{max} is calculated as follows:

$d_{max} = \text{double distance of the walls} \times 0.0036 \text{ mm/m}$ Example: With a 26 ft distance between the walls, the maximum deviation must not exceed $d_{max} = 2 \times 26 \text{ ft} \times 0.0036 \text{ in/ft} = 3/16 \text{ in.}$ (0.188in) Thus, the marks must not be more than 3/16 of an inch apart.

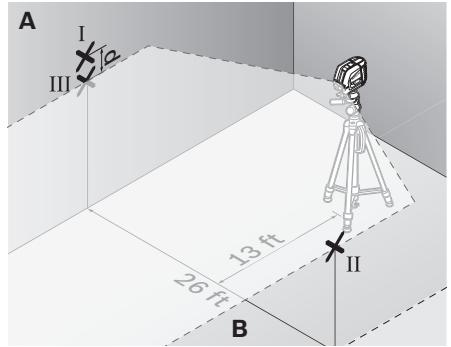
Checking the Leveling Accuracy of the Horizontal Line

For the check, a free surface of approx. 26 x 26 ft is required.

- Set up the tool on a firm, level surface between both walls A and B. Allow the tool to level in while in horizontal operation.



- At a distance of 13 ft from the measuring tool, mark the centre of the laser line (point I on wall A and point II on wall B) on both walls.



- Set up the tool 26 ft away turned by 180° and allow it to level in.
- Align the height of the tool (using a tripod or by underlaying, if required) in such a manner that the center of the laser line is projected exactly against the previously marked point II on wall B.
- Mark the center of the laser line as point III (vertically above or below point I) on the wall A.
- The difference d of both marked points I and III on wall A indicates the actual deviation of the tool from the level plane.

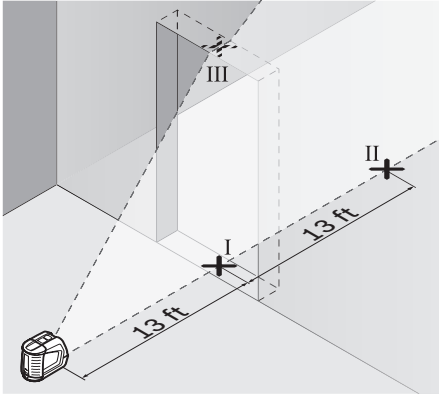
The maximum permitted deviation d_{max} is calculated as follows:

$d_{max} = \text{double distance of the walls} \times 0.3 \text{ mm/m}$ Example: With a 26 ft distance between the walls, the maximum deviation must not exceed $d_{max} = 2 \times 26 \text{ m} \times 0.0036 \text{ in/ft} = 3/16 \text{ in.}$ Thus, the marks must not be more than 3/16 in apart.

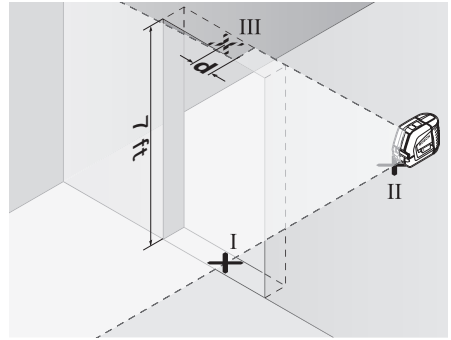
Checking the Leveling Accuracy of the Vertical Line

For this check, a door opening is required with at least 13 ft of space (on a firm surface) to each side of the door.

- Position the tool on a firm, level surface (not on a tripod) 13 ft away from the door opening. Allow the tool to level in while in cross-line operation mode, and direct the laser beams at the door opening.



- Mark the center of the vertical laser line at the floor of the door opening (point I), at a distance of 26 ft beyond the other side of the door opening (point II) and at the upper edge of the door opening (point III).



- Position the tool on the other side of the door opening directly behind point II. Allow the tool to level in and align the vertical laser line in such a manner that its center runs exactly through points I and II.
- The difference d between point III and the center of the laser line at the upper edge of the door opening results in the actual deviation of the tool from the vertical plane.
- Measure the height of the door opening.

The maximum permitted deviation d_{max} is calculated as follows:

$$d_{max} = \text{double height of the door opening} \times 0.0036 \text{ in/ft}$$

Example: With a door opening height of 2 meters, the maximum permitted deviation is $d_{max} = 2 \times 7 \text{ ft} \times 0.0036 \text{ in/ft} = 0.05 \text{ in}$. Thus, the marks must not be more than 0.05 in. apart.

Use with Attachments

Working with the Positioning Device (Accessory) (see figures I-Q)

The positioning device **17** provides easy ability to properly position the laser line or lines.

It attaches to job site surfaces as follows:

- To tripods with either a 1/4-20 or 5/8-11 mount
- To steel studs using the magnets on the back
- To drywall or wood walls using screws
- To pipes or similar objects using a commercially available strap (not included)

- To the optional Bosch BP350 Telescoping Pole System **18** for maximum versatility in setting height.

It can also be used as a mini tripod.

- To attach the laser tool, screw the 1/4-20 mount into the tool and tighten. Turn the knob and tool together as necessary to properly position the laser line or lines.
- To adjust the height of the laser lines, release the height lock, adjust the height using the adjustment knob and turn the height lock to secure the height.

Working with the Measuring Plate (Accessory)

With the measuring plate **15**, it is possible to project the laser mark onto the floor or the laser height onto a wall.

With the zero field and the scale, the offset or drop to the required height can be measured and projected at another location. This eliminates the necessity of precisely adjusting the tool to the height to be projected.

The measuring plate **15** has a reflective coating that enhances the visibility of the laser beam at greater distances or in intense sunlight. The brightness intensification can be seen only when viewing, parallel to the laser beam, onto the measuring plate.

Working with the Tripod (Optional Accessory)

A tripod offers a stable, height-adjustable measuring support. Place the tool via the tripod mount **6** onto the 1/4" male thread of the tripod and screw the locking screw of the tripod tight.

Working with the Laser Receiver (Optional Accessory) (see figures E & H)

Under unfavorable light conditions (bright environment, direct sunlight) and for larger distances, use the laser receiver for improved finding of the laser lines **16**. When working with the laser receiver, switch the pulse function on (see "Pulse Function", page 9).

Laser Viewing Glasses (Optional Accessory) (see figure H)

The laser viewing glasses **14**, filter out the ambient light. This makes the red light of the laser appear brighter for the eyes.

- **Do not use the laser viewing glasses as safety goggles.** The laser viewing glasses are used for improved visualization of the laser beam, but they do not protect against laser radiation.
- **Do not use the laser viewing glasses as sun glasses or in traffic.** The laser viewing glasses do not afford complete UV protection and reduce colour perception.

Maintenance and Service

Store and transport the tool only in the belt pouch **12** or in the case **13**.

Keep the tool clean at all times.

Do not immerse the tool into water or other fluids.

Wipe off debris using a moist and soft cloth. Do not use any cleaning agents or solvents.

Regularly clean the surfaces at the exit opening of the laser in particular, and pay attention to any fluff of fibers.

If the tool should fail despite the care taken in manufacturing and testing procedures, repair should be carried out by an authorized after-sales service center for Bosch power tools.

In all correspondence and spare parts orders, please always include the 10-digit article number given on the type plate of the tool.

For repairs, only send in the tool in the belt pouch **12** or in the case **13**.



ENVIRONMENT PROTECTION

Recycle raw materials & batteries instead of disposing of waste. The unit, accessories, packaging & used batteries should be sorted for environmentally friendly recycling in accordance with the latest regulations.

LIMITED WARRANTY OF BOSCH LASER AND MEASURING TOOL PRODUCTS

Robert Bosch Tool Corporation ("Seller") warrants to the original purchaser only, that all BOSCH laser and measuring tool products will be free from defects in material or workmanship for a period of three (3) years from date of purchase.

SELLER'S SOLE OBLIGATION AND YOUR EXCLUSIVE REMEDY under this Limited Warranty and, to the extent permitted by law, any warranty or condition implied by law, shall be the repair or replacement of laser and measuring tool products, which are defective in material or workmanship and which have not been misused, carelessly handled, or misrepaired by persons other than Seller or Seller Authorized Service providers.

SELLER'S OBLIGATION AND YOUR REMEDY ARE FURTHER LIMITED AS FOLLOWS:

- **30-Day Money Back Refund or Replacement.** If you are not completely satisfied with the performance of your laser or measuring tool product, for any reason, you can return it to BOSCH dealer within 30 days of the date of purchase for a full refund or replacement. To obtain this 30-Day Refund or Replacement, your return must be accompanied by the original receipt for purchase of the laser or measuring tool product. A maximum of 2 returns per customer will be permitted.
- **First Year– OTC Warranty.** BOSCH will replace your laser or measuring tool product that has failed when used in conformance with product instructions and warnings, with a new laser or measuring tool product of comparable features, for free, any time during the first year after purchase. This warranty does not apply if your laser or measuring tool product fails solely due to the need for recalibration.
- **2- and 3-Year Exchange.** BOSCH will replace your laser or measuring tool product that has failed when used in conformance with product instructions and warnings, with a new or reconditioned laser or measuring tool product of comparable features, for an exchange cost. This warranty does not apply if your laser or measuring tool product fails solely due to the need for recalibration.

For details to make a claim under this Limited Warranty please visit www.boschtools.com or call 1-877-267-2499.

ANY IMPLIED WARRANTIES SHALL BE LIMITED IN DURATION TO ONE YEAR FROM DATE OF PURCHASE. SOME STATES IN THE U.S., AND SOME CANADIAN PROVINCES DO NOT ALLOW LIMITATIONS ON HOW LONG AN IMPLIED WARRANTY LASTS, SO THE ABOVE LIMITATION MAY NOT APPLY TO YOU.

IN NO EVENT SHALL SELLER BE LIABLE FOR ANY INCIDENTAL OR CONSEQUENTIAL DAMAGES (INCLUDING BUT NOT LIMITED TO LIABILITY FOR LOSS OF PROFITS) ARISING FROM THE SALE OR USE OF THIS PRODUCT. SOME STATES IN THE U.S., AND SOME CANADIAN PROVINCES DO NOT ALLOW THE EXCLUSION OR LIMITATION OF INCIDENTAL OR CONSEQUENTIAL DAMAGES, SO THE ABOVE LIMITATION MAY NOT APPLY TO YOU.

THIS LIMITED WARRANTY GIVES YOU SPECIFIC LEGAL RIGHTS, AND YOU MAY ALSO HAVE OTHER RIGHTS WHICH VARY FROM STATE TO STATE IN THE U.S., OR PROVINCE TO PROVINCE IN CANADA AND FROM COUNTRY TO COUNTRY.

THIS LIMITED WARRANTY APPLIES ONLY TO PRODUCTS SOLD WITHIN THE UNITED STATES OF AMERICA, CANADA AND THE COMMONWEALTH OF PUERTO RICO. FOR WARRANTY COVERAGE WITHIN OTHER COUNTRIES, CONTACT YOUR LOCAL BOSCH OR CST/BERGER DEALER OR IMPORTER.

Consignes générales de sécurité

AVERTISSEMENT

Lisez toutes les instructions. Le non-respect de toutes les instructions figurant ci-dessous risquerait de causer une exposition dangereuse aux rayonnements, un choc électrique, un incendie et/ou des blessures graves. L'expression « instrument de topologies » dans tous les avertissements figurant plus bas fait référence à votre instrument de mesure, de détection et de tracé de topologies branché sur le secteur (avec cordon) ou à votre instrument de mesure, de détection et de tracé de topologies à piles (sans fil).

AVERTISSEMENT

Les étiquettes suivantes sont apposées sur votre instrument laser pour votre commodité et votre sécurité. Elles indiquent où la lumière laser est émise par le instrument. IL FAUT TOUJOURS CONNAÎTRE sa position lors de l'utilisation du instrument.



Utilisez l'outil correct pour votre application.

Ne dirigez pas le faisceau laser en direction de personnes ou d'animaux, et ne regardez pas directement le faisceau laser vous-même. Cet instrument produit des rayonnements laser de classe 2 et est conforme aux normes 21 CFR 1040.10 et 1040.11, à l'exception des déviations en vertu de l'Avis relatif au laser N° 50 daté du 24 juin 2007. Ceci risquerait de causer l'aveuglement des personnes affectées.

NE RETIREZ PAS et n'effacez pas des étiquettes d'avertissement ou de mise en garde. Le retrait de telles étiquettes augmente le risque d'exposition aux rayonnements laser. L'emploi de commandes ou de réglages autres que ceux qui sont indiqués dans ce mode d'emploi risquerait de causer une exposition dangereuse aux rayonnements.

ASSUREZ-VOUS TOUJOURS que les personnes présentes aux environs de l'endroit où vous employez cet instrument sont au courant des dangers résultant de l'observation directe du faisceau laser.

NE PLACEZ PAS l'instrument dans une position telle que cela permettrait à quiconque de regarder directement le faisceau laser intentionnellement ou non. Ceci risquerait de causer des blessures graves aux yeux.

POSITIONNEZ TOUJOURS l'instrument de façon qu'il soit stable. La chute de l'instrument risquerait d'endommager ce dernier et/ou de causer des blessures graves à son utilisateur.

N'UTILISEZ TOUJOURS que les accessoires qui sont recommandés par le fabricant de votre instrument. L'emploi d'accessoires qui ont été conçus pour emploi avec d'autres outils risquerait de causer des blessures graves.

N'UTILISEZ PAS cet instrument dans un but autre que ceux qui sont indiqués dans ce mode d'emploi. Ceci risquerait de causer des blessures graves.

NE LAISSEZ PAS l'instrument allumé (« ON ») sans surveillance dans un mode de fonctionnement quelconque.

NE DÉMONTÉZ PAS l'instrument. Il ne contient aucune pièce pouvant être réparée par l'utilisateur. Ne modifiez ce produit en aucune façon. Toute modification de cet instrument risquerait de causer une exposition dangereuse aux rayonnements.

N'UTILISEZ PAS les verres de visionnement du laser à la place de lunettes de protection. Les verres de visionnement du laser sont utilisés pour améliorer la visualisation du faisceau laser, mais ils ne protègent pas contre les rayonnements laser.

N'UTILISEZ PAS pas les verres de visionnement du laser en guise de lunette de soleil ou lorsque vous conduisez un véhicule. Ces verres n'assurent pas une protection complète contre les rayons UV et ils réduisent la perception des couleurs.

N'UTILISEZ PAS d'instruments optiques tels, que, entre autres, des télescopes ou des lunettes d'astronome pour regarder le faisceau laser. Ceci risquerait de causer des blessures graves aux yeux.

NE FIXEZ PAS directement des yeux le faisceau laser et ne projetez pas la faisceau laser directement dans les yeux d'autres personnes. Ceci risquerait de causer des blessures graves aux yeux.

CONSERVEZ CES INSTRUCTIONS.

Sécurité sur le lieu de travail

Maintenez votre lieu de travail propre et bien éclairé. Les lieux de travail encombrés ou sombres invitent les accidents.

N'UTILISEZ PAS l'instrument laser à proximité d'enfants, et ne laissez pas des enfants se servir de l'instrument laser. Cela risquerait de produire des blessures graves aux yeux.

Sécurité électrique

⚠ AVERTISSEMENT Les piles risquent d'exploser ou de fuir, et de causer des blessures ou un incendie. Afin de réduire ce risque, suivez toujours toutes les instructions et tous les avertissements figurant sur l'étiquette des piles et sur l'emballage.

NE COURT-CIRCUITEZ PAS de bornes des piles.

NE RECHARGEZ PAS des piles alcalines.

NE MÉLANGEZ PAS des piles neuves et des piles usagées. Remplacez toutes les piles en même temps par des piles neuves de la même marque et du même type.

NE MÉLANGEZ PAS des piles ayant des compositions chimiques différentes.

Jetez ou recyclez les piles conformément aux règlements du code local.

NE JETEZ PAS des piles dans un feu.

Gardez les piles hors de la portée des enfants.

Retirez les piles si vous ne pensez pas utiliser cet instrument pendant plusieurs mois.

Sécurité personnelle

Restez alerte, surveillez ce que vous êtes en train de faire et faites preuve de bons sens lorsque vous utilisez un quelconque outil. N'utilisez pas un outil pendant que vous êtes fatigué(e) ou sous l'influence de drogues, d'alcool ou de médicaments. Un moment d'inattention pendant que vous vous servez d'un outil risquerait de causer de graves blessures personnelles ou de produire des résultats de mesures imprécis.

Utilisez des équipements de sécurité. Portez toujours une protection des yeux. Des équipements tels que des masques antipoussières, des chaussures de sécurité antidérapantes, un casque ou une protection des oreilles utilisés pour les conditions appropriées réduiront les blessures corporelles.

Dispositif de positionnement



Ne pas mettre le dispositif de positionnement 17 dans la proximité de stimulateurs cardiaques. Les disques magnétiques (Fig. P) génèrent un champ qui peut entraver le fonctionnement de stimulateurs cardiaques.

- **Maintenir la fixation éloignée des support de données magnétiques et des appareils réagissant aux sources magnétiques.** L'effet du disque

magnétique (Fig. P) peut entraîner des pertes de données irréversibles.

Utilisation et entretien

Utilisez l'outil correct pour votre application.

L'instrument de mesure, de détection et de tracé de topologies correct vous permettra de faire un meilleur travail et avec plus de sécurité à la vitesse pour laquelle il a été conçu.

N'utilisez pas cet instrument si l'interrupteur ne s'allume pas ou ne s'éteint pas. Un instrument qui ne peut pas être contrôlé par son interrupteur est dangereux et doit être réparé.

Rangez l'instrument hors de la portée des enfants lorsque vous ne vous en servez pas, et ne laissez pas de personnes ne connaissant pas bien cet instrument ou n'ayant pas lu ce mode d'emploi mettre l'outil en marche. De tels instruments pourraient être dangereux entre les mains d'utilisateurs n'ayant pas reçu la formation nécessaire à leur utilisation.

Entretenez vos instruments. Assurez-vous que les pièces sont alignées correctement et que les pièces mobiles ne se coincent pas, qu'il n'y a pas de pièces brisées ou d'autres conditions pouvant affecter le fonctionnement. Réparez tout instrument endommagé avant de vous en servir. De nombreux accidents par des instruments de mesure, de détection et de tracé de topologies mal entretenus.

Utilisez l'outil, les accessoires, etc. conformément à ce mode d'emploi et de la manière prévue pour le type particulier d'instrument, en tenant compte des conditions de travail à réaliser. L'emploi de cet instrument pour des opérations différentes de celles qui sont indiqués dans le mode d'emploi risquerait de causer une situation dangereuse.

Service après-vente

Faites réparer votre instrument par un réparateur agréé n'utilisant que des pièces de rechange identiques. Ceci assurera le respect des prescriptions de sécurité pour l'instrument. Préparez un calendrier de maintenance périodique pour l'instrument. Lorsque vous nettoyez un instrument, faites attention de ne pas démonter une partie quelconque de l'instrument étant donné que des fils internes risqueraient d'être déplacés ou pincés, ou qu'ils pourraient être remontés de façon incorrecte. Certains produits de nettoyage tels que de l'acétone, du tétrachlorure de carbone, de l'ammoniac, etc. risqueraient d'endommager les composants en plastique.

Il n'est possible de travailler en toute sécurité avec cet instrument qu'après avoir lu toutes les informations relatives à son utilisation et à la sécurité, et à condition de respecter rigoureusement toutes les instructions contenues dans le mode d'emploi. Ne rendez jamais illisibles les étiquettes d'avertissement se trouvant sur l'instrument.

Emploi prévu

Cet outil a été conçu pour déterminer et vérifier les lignes horizontales et verticales.

Préparation

Inserting/Replacing the Battery

Mise en place/changement des piles

N'utiliser que des piles alcalines au manganèse. Pour ouvrir le couvercle du compartiment à piles 8, appuyer sur le blocage **11** dans le sens de la flèche et enlever le couvercle du compartiment à piles. Introduire les piles fournies. Veiller à la bonne position des pôles qui doit correspondre à la figure se trouvant à l'intérieur du compartiment à piles.

Si l'indicateur de charge des piles **5** clignote rouge, il faut remplacer les piles.

Toujours remplacer toutes les piles en même temps. N'utiliser que des piles de la même marque avec la même capacité.

- **Sortir les piles de l'appareil de mesure au cas où l'appareil ne serait pas utilisé pour une période assez longue.** En cas de stockage long, les piles peuvent corroder et se décharger.

Features

La numérotation des éléments de l'appareil se réfère à la représentation de l'appareil de mesure sur la page graphique.

- 1 Orifice de sortie du faisceau laser
- 2 Indicateur fonction pulsation
- 3 Touche fonction pulsation
- 4 Touche du mode de fonctionnement
- 5 Indicateur de charge de la pile
- 6 Raccord de trépied 1/4"
- 7 Interrupteur Marche/Arrêt
- 8 Couvercle du compartiment à piles
- 9 Numéro de série

- 10 Plaque d'avertissement de laser
- 11 Blocage du couvercle du compartiment à piles
- 12 Etui de protection*
- 13 Coffre*
- 14 Lunettes de vision du faisceau laser*
- 15 Platine de mesure avec pied*
- 16 Cellule de réception laser*
- 17 Dispositif de positionnement
- 18 système de perche télescopique

*Les accessoires décrits ou montrés ne sont pas compris dans l'emballage standard.

Données techniques

Zone de travail
– Standard20 m
– avec récepteur de faisceau laser50 m

Précision de nivellement±0,3 mm/m

Précision typique de nivellementjusqu'à 6mm à 30m

Plage typique de nivellement automatique±4°

Temps typique de nivellement<4 s

Température de service-10° C +50° C

Température de stockage-20° C +70° C

Humidité relative de l'air max.90 %

Classe laser2

Type de laser635 nm, <1 mW

C6>3,33

Raccord de trépied1/4"

Piles3 x 1,5 V LR6 (AA)

Durée de service env.12 h

Coupure automatique après env.30 min

Poids suivant

EPTA-Procédure 01/20030,45 kg

Dimensions118 x 57 x 89 mm

Type de protectionIP 54 (étanche à la poussière et aux projections d'eau)

Faire attention au numéro d'article se trouvant sur la plaque signalétique de l'appareil de mesure. Les désignations commerciales des différents appareils peuvent varier.

Pour permettre une identification précise de votre appareil de mesure, le numéro de série 9 est marqué sur la plaque signalétique.

Consignes d'utilisation

Mise en service

- **Protéger l'appareil de mesure contre l'humidité, ne pas l'exposer aux rayons directs du soleil.**
- **Ne pas exposer l'appareil de mesure à des températures extrêmes ou de forts changements de température.** Ne le laissez pas traîner longtemps dans la voiture par ex. En cas d'importants changements de température, laissez l'appareil de mesure prendre la température ambiante avant de le mettre en service. Des températures extrêmes ou de forts changements de température peuvent entraver la précision de l'appareil de mesure.
- **Éviter les chocs ou les chutes de l'appareil de mesure.** Lorsque l'appareil de mesure a été soumis à de fortes influences extérieures, toujours effectuer un contrôle de précision avant de continuer à travailler (voir « Précision de nivellement »).
- **Éteignez l'appareil de mesure quand vous le transportez.** Lorsque l'appareil est éteint, l'unité pendulaire se verrouille afin de prévenir son endommagement lors de mouvements forts.

Mise en Marche/Arrêt

Pour **mettre en marche** l'appareil de mesure, poussez l'interrupteur Marche/Arrêt 7 dans la position «  on » (pour travailler sans nivellement automatique) ou dans la position «  on » (pour travailler avec nivellement automatique). Immédiatement après avoir été mis en marche, l'appareil de mesure envoie des lignes laser à travers les orifices de sortie 1.

- **Ne pas diriger le faisceau laser vers des personnes ou des animaux et ne jamais regarder dans le faisceau laser, même si vous êtes à grande distance de ce dernier.**

Pour éteindre l'appareil de mesure, poussez l'interrupteur Marche/Arrêt 7 dans la position « off ». Lorsque l'appareil est éteint, l'unité pendulaire est verrouillée.

Désactiver la coupure automatique

Après une durée de service de 30 minutes, l'appareil de mesure se met automatiquement hors fonctionnement. Pour désactiver la coupure automatique, maintenez appuyé la touche du mode de fonctionnement 4 pendant 3 secondes pendant la mise en service de l'appareil de mesure. Si la coupure automatique est désactivée, les faisceaux laser clignotent brièvement au bout de 3 secondes.

- **Ne pas laisser sans surveillance l'appareil de mesure allumé et éteindre l'appareil de mesure après l'utilisation.** D'autres personnes pourraient être éblouies par le faisceau laser.

Pour activer la coupure automatique, éteignez l'appareil de mesure et remettez-le en marche (sans appuyer sur la touche du mode de fonctionnement 4).

Mode opératoire (voir fig. A-2)

L'appareil de mesure dispose de trois modes de fonctionnement entre lesquels vous pouvez commuter à tout temps :

- Service horizontal « - » : génère une ligne laser horizontale,
- Service vertical « | » : génère une ligne laser verticale,
- Mode lignes croisées « + » : génère une ligne laser horizontale et une ligne laser verticale.

Après chaque mise en fonctionnement, l'appareil de mesure se trouve en mode lignes croisées. Pour changer le mode de fonctionnement, appuyez sur la touche du mode de fonctionnement 4.

Il est possible de choisir tous les trois modes de fonctionnement avec ou sans nivellement automatique.

Fonction pulsation

Le récepteur laser LR2 permet d'utiliser le dispositif GLL2-50 dans des situations où les lignes ne peuvent pas être vues. La fonction de pulsation est activée séparément de la sélection du mode de fonctionnement. Le dispositif GLL2-50 n'est pas compatible avec d'autres récepteurs laser.

En fonction pulsation, les lignes laser clignotent à très haute fréquence et peuvent ainsi être repérées par le récepteur de faisceau laser 16.

Pour activer la fonction pulsation, appuyez sur la touche 3. Lorsque la fonction pulsation est activée, l'affichage 2 s'allume en vert.

Pour l'oeil humain, la visibilité des lignes laser est réduite lorsque la fonction pulsation est mise en marche. Pour travailler sans récepteur de faisceau laser, désactivez alors la fonction pulsation en appuyant à nouveau sur la touche 3. Lorsque la fonction pulsation est désactivée, l'affichage 2 disparaît.

Nivellement automatique

Travailler avec nivellement automatique (voir figure C)

Placez l'appareil de mesure sur un support horizontal solide ou montez-le sur un trépied disponible dans le commerce.


Pour travailler avec nivellement automatique, pousser l'interrupteur Marche/Arrêt 7 en position «  on ».

Le nivellement automatique compense automatiquement les inégalités à l'intérieur de la plage de nivellement automatique de $\pm 4^\circ$. Dès que les lignes laser ne clignotent plus, l'appareil de mesure est nivelé.

Si un nivellement automatique n'est pas possible, par ex. parce que la surface où est posé l'appareil de mesure diffère de plus de 4° de l'horizontale, les lignes laser clignotent. Dans un tel cas, placez l'appareil de mesure horizontalement et attendez le nivellement automatique.

Dans le cas de secousses ou de modifications pendant l'utilisation, l'appareil de mesure est automatiquement nivelé à nouveau. Après un nivellement, vérifiez la position de la ligne laser horizontale ou verticale par rapport aux points de référence afin d'éviter des erreurs.

Mode de verrouillage – Travail sans mise à niveau automatique (voir Figure D)

Pour travailler sans nivellement automatique, poussez l'interrupteur Marche/Arrêt 7 dans la position «  on ». Lorsque le nivellement automatique est hors fonctionnement, les lignes laser clignotent en permanence.

Lorsque le nivellement automatique est désactivé, il est

possible de tenir l'appareil de mesure simplement en main ou de le poser sur un support approprié. En mode lignes croisées, les deux lignes laser ne sont plus forcément perpendiculaire l'une par rapport à l'autre.

Instructions d'utilisation

- Pour marquer, n'utiliser toujours que le milieu de la ligne laser. La largeur de la ligne laser change avec la distance.

Précision de nivellement

Influences sur la précision

C'est la température ambiante qui exerce la plus grande influence. Ce sont notamment les différences de température entre le sol et la hauteur de travail qui peuvent faire dévier le faisceau laser.

Puisque la stratification de la température est à son maximum à proximité du sol, l'appareil de mesure devrait toujours être monté sur un trépied à partir d'une distance à mesurer de 20 m. En plus, si possible, installer l'appareil de mesure au centre de la zone de travail.

Outre les influences extérieures, des influences spécifiques à l'appareil (par ex. chutes ou chocs violents) peuvent entraîner de légères divergences. Avant de commencer tout travail, contrôler donc la précision de l'appareil de mesure.

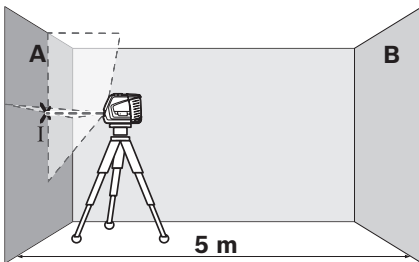
Contrôler d'abord la précision de hauteur ainsi que de nivellement de la ligne laser horizontale, ensuite la précision de nivellement de la ligne laser verticale.

Si l'appareil de mesure dépasse la divergence maximale de précision pour un des contrôles, le faire réparer par un service après-vente Bosch.

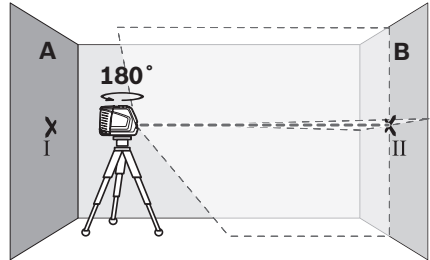
Contrôler la précision de hauteur des lignes horizontales

Pour ce contrôle, on nécessite une distance dégagée de 5 m sur un sol stable entre deux murs A et B.

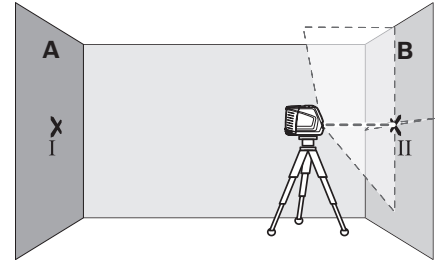
- Monter l'appareil de mesure près du mur A sur un trépied ou le placer sur un sol solide et plan. Mettre l'appareil de mesure en fonctionnement. Choisir le mode lignes croisées avec nivellement automatique.



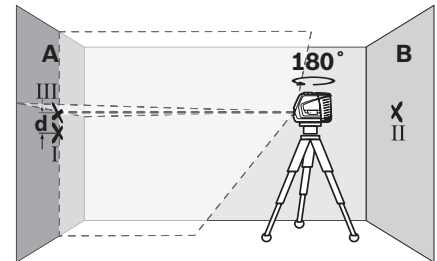
- Diriger le laser sur le mur proche A et laisser l'appareil de mesure effectuer le nivellement automatique. Marquer le milieu du point sur le mur où les lignes laser se croisent (point I).



- Tourner l'appareil de mesure de 180°, le laisser effectuer un nivellement automatique et marquer le point de croisement des faisceaux laser sur le mur en face B (point II).



- Placer l'appareil de mesure – sans le tourner
- près du mur B, le mettre en fonctionnement et le laisser effectuer le nivellement automatique.
- Ajuster l'appareil de mesure en hauteur (à l'aide du trépied ou, le cas échéant, par des cales appropriées) de sorte que le point de croisement des faisceaux laser touche le point II sur le mur B tracé auparavant.



- Tourner l'appareil de mesure de 180° sans en modifier la hauteur. Le diriger vers mur A de sorte que la ligne laser verticale passe à travers le point I déjà marqué. Laisser l'appareil de mesure effectuer

un nivellement automatique et marquer le point de croisement des faisceaux laser sur le mur A (point I).

- L'écart d entre les deux points I et III marqués sur mur A indique la divergence de précision réelle de l'appareil de mesure pour la hauteur.

La divergence maximale admissible d_{max} se calcule comme suit :

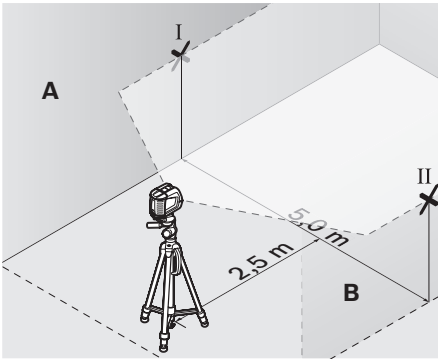
$$d_{max} = \text{double distance des murs} \times 0,3 \text{ mm/m}$$

Exemple : Pour une distance de 5 m entre les murs, la divergence maximale doit être de $d_{max} = 2 \times 5 \text{ m} \times 0,3 \text{ mm/m} = 3 \text{ mm}$. En conséquence, l'écart entre les marquages ne doit être que de 3 mm au maximum.

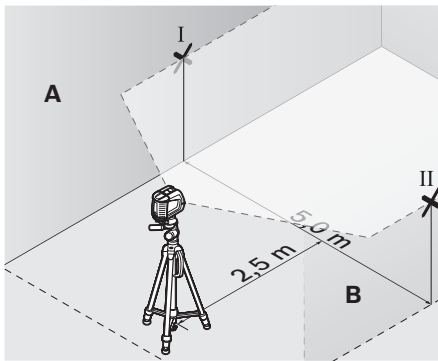
Contrôler la précision de nivellement de la ligne horizontale

Pour ce contrôle, on nécessite une distance dégagée de 5 x 5 m env.

- Placer l'appareil de mesure sur un sol solide et plan au milieu entre les murs A et B. Laisser l'appareil de mesure effectuer un nivellement automatique en mode horizontal.



- A une distance de 2,5 m de l'appareil de mesure, marquer le milieu du faisceau laser sur les deux murs (point I sur mur A et point II sur mur B).



- Placer l'appareil de mesure tourné de 180° à une distance de 5 m et le laisser effectuer un nivellement automatique.

- Ajuster l'appareil de mesure en hauteur (à l'aide du trépied ou, le cas échéant, par des cales appropriées) de sorte que le milieu du faisceau laser touche le point II sur le mur B tracé auparavant.
- Sur mur A, marquer le milieu du faisceau laser comme point III (verticalement au-dessus ou au-dessous du point I).
- L'écart d entre les deux points I et III marqués sur mur A indique la divergence réelle de l'appareil de mesure de l'horizontale.

La divergence maximale admissible d_{max} se calcule comme suit :

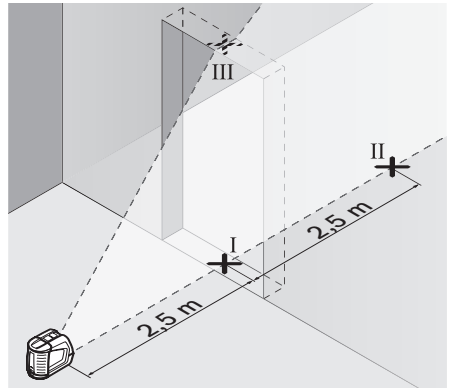
$$d_{max} = \text{double distance des murs} \times 0,3 \text{ mm/m}$$

Exemple : Pour une distance de 5 m entre les murs, la divergence maximale doit être de $d_{max} = 2 \times 5 \text{ m} \times 0,3 \text{ mm/m} = 3 \text{ mm}$. En conséquence, l'écart entre les marquages ne doit être que de 3 mm au maximum.

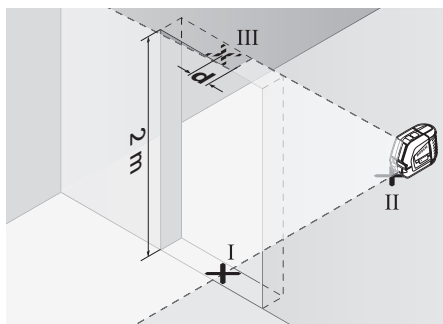
Contrôler la précision de nivellement de la ligne verticale

Pour ce contrôle, on nécessite un jour de porte d'au moins 2,5 m d'entrebâillement (sur sol stable) de chaque côté de la porte.

- Placez l'appareil de mesure à une distance de 2,5 m du jour de porte sur un support solide et plan (pas sur un trépied). Laissez l'appareil de mesure effectuer un nivellement automatique en mode lignes croisées, et dirigez les lignes laser sur le jour de porte.



- Marquer le milieu de la ligne laser verticale au sol du jour de porte (point I), à une distance de 5 m de l'autre côté du jour de porte (point II), ainsi qu'au bord supérieur du jour de porte (point III).



- Placer l'appareil de mesure de l'autre côté du jour de porte directement derrière le point II. Laisser l'appareil de mesure effectuer un nivellement

automatique et aligner la ligne laser verticale de sorte que son milieu passe exactement à travers les points I et II.

- L'écart d entre le point III et le milieu de la ligne laser sur le bord supérieur du jour de porte indique la divergence réelle de l'appareil de mesure de la verticale.
- Mesurer la hauteur du jour de porte.

La divergence admissible maximale d_{max} se calcule comme suit :

$$d_{max} = \text{double hauteur du jour de porte} \times 0,3 \text{ mm/m}$$

Exemple : Pour une hauteur du jour de porte de 2 m, la divergence maximale doit être de

$d_{max} = 2 \times 2 \text{ m} \times 0,3 \text{ mm/m} = 1,2 \text{ mm}$. En conséquence, l'écart entre les marquages ne doit être que de 1,2 mm au maximum.

Utiliser avec accessoires

Travail avec le dispositif de positionnement (Accessoire) (voir Figures I et Q)

Le dispositif de positionnement 17 permet de positionner facilement et de façon correcte la ou les ligne(s) laser.

Il s'attache aux surfaces du lieu de travail comme suit :

- Aux trépieds avec un mécanisme de fixation de 1/4-20 ou de 5/8-11
- Aux montants en acier en utilisant les aimants à l'arrière
- Aux cloisons sèches ou aux murs en bois au moyen de vis
- Aux canalisations ou objets similaires au moyen d'une courroie en vente dans le commerce (non incluse)
- Au système de perche télescopique 18 Bosch BP350 (en option) pour assurer le maximum de versatilité lors du réglage de la hauteur.

Il peut aussi être utilisé comme mini-trépied.

- Pour l'attacher à l'outil laser, vissez le mécanisme de fixation de 1/4-20 sur l'outil et serrez. Faites tourner le bouton et l'outil ensemble suivant les besoins afin de positionner correctement la ou les ligne(s) laser.
- Pour régler la hauteur des lignes laser, relâchez le mécanisme de verrouillage de la hauteur, réglez la hauteur au moyen du bouton de réglage et serrez à nouveau le mécanisme de verrouillage de la hauteur afin de maintenir en place la hauteur ainsi obtenue.

Travailler avec la platine de mesure (accessoire)

A l'aide de la platine de mesure 15, il est possible de reporter le marquage du faisceau laser sur le sol ou de reporter la hauteur du laser sur le mur.

Le champ zéro et la graduation permettent de mesurer l'écart par rapport à la hauteur souhaitée et de la reporter sur un autre endroit. Il n'est donc pas nécessaire d'ajuster l'appareil de mesure précisément sur la hauteur à reporter.

La platine de mesure 15 dispose d'un revêtement réflecteur pour améliorer la visibilité du faisceau laser à une distance plus importante ou en cas d'un fort ensoleillement. L'augmentation de la luminosité n'est visible que lorsqu'on regarde en parallèle avec le faisceau laser sur la platine de mesure.

Travailler avec le trépied (accessoire)

Un trépied offre l'avantage d'être un support de mesure stable à hauteur réglable. Placez l'appareil de mesure avec le raccord du trépied 6 sur le filet 1/4" du trépied et serrez-le au moyen de la vis de blocage du trépied.

Travailler avec récepteur de faisceau laser (accessoire) (voir figure E et H)

Dans des conditions d'éclairage défavorables (environnement éclairé, soleil direct) et sur des grandes distances, utilisez le récepteur de faisceau laser 16 afin de trouver plus facilement les lignes laser. Lorsque vous travaillez avec le récepteur de faisceau laser, activez la fonction pulsation (voir « Fonction pulsation », page 18).

Lunettes de vision du faisceau laser (accessoire) (voir figure H)

Les lunettes de vision du faisceau laser filtrent la lumière ambiante. L'oeil perçoit ainsi la lumière rouge du laser comme étant plus claire.

- **Ne pas utiliser les lunettes de vision du faisceau laser en tant que lunettes de protection.** Les lunettes de vision du faisceau laser servent à mieux reconnaître le faisceau laser, elles ne protègent cependant pas du rayonnement laser.
- **Ne pas utiliser les lunettes de vision du faisceau laser en tant que lunettes de soleil ou en circulation routièze.** Les lunettes de vision du faisceau laser ne protègent pas parfaitement contre les rayons ultra-violetes et réduisent la perception des couleurs.

Maintenance et service

Ne transportez et rangez l'appareil de mesure que dans son étui de protection **12** ou dans son coffret **13**.

Maintenir l'appareil de mesure propre.

Ne jamais plonger l'appareil de mesure dans l'eau ou dans d'autres liquides.

Nettoyer l'appareil à l'aide d'un chiffon doux et humide.
Ne pas utiliser de détergents ou de solvants.

Nettoyer régulièrement en particulier les surfaces se trouvant près de l'ouverture de sortie du laser en veillant à éliminer les poussières. Si, malgré tous les soins apportés à la fabrication et au contrôle de l'appareil de mesure, celui-ci devait avoir un défaut, la réparation ne doit être confiée qu'à une station de service après-vente agréée pour outillage Bosch.

Pour toute demande de renseignement ou commande de pièces de rechange, nous précisons impérativement le numéro d'article à dix chiffres de l'appareil de mesure indiqué sur la plaque signalétique.

Au cas où l'appareil devrait être réparé, l'envoyer dans son étui de protection **12** ou dans son coffret **13**.

PROTECTION DE L'ENVIRONNEMENT

Recyclez les matières premières et les piles au lieu de les mettre au rebut. L'instrument, ses accessoires, son conditionnement et les piles usées doivent être triés en vue d'un recyclage écologique conforme aux lois les plus récentes.



GARANTIE LIMITÉE DES PRODUITS LASER ET AUTRES INSTRUMENTS DE MESURE BOSCH

Robert Bosch Tool Corporation (le « Vendeur ») garantit à l'acheteur original seulement que tous les produits laser et autres instruments de mesure BOSCH ne comporteront pas de défauts de matériau ou de façon pendant une période de trois (3) ans à compter de la date de l'achat.

LA SEULE OBLIGATION DU VENDEUR ET VOTRE REMÈDE EXCLUSIF en vertu de cette Garantie limitée et, dans la mesure autorisée par la loi, de toute garantie ou condition implicite de par l'opération de la loi, seront la réparation ou le remplacement du produit laser et des autres instruments de mesure ayant des défauts de matériau ou de façon, à condition qu'ils n'aient pas été utilisés abusivement, manipulés sans prendre les précautions nécessaires ou réparés de façon incorrecte par des personnes autres que le Vendeur ou des prestataires de services agréés par le Vendeur.

L'OBLIGATION DU VENDEUR ET VOTRE REMÈDE SONT ÉGALEMENT LIMITÉS PAR LES DISPOSITIONS SUIVANTES :

- Le retour du produit pour un remboursement du prix d'achat dans les 30 jours doit être accompagné par l'original du reçu de la vente du produit laser ou de l'instrument de mesure. Deux retours de produits au maximum sont autorisés pour chaque client.
- Première année – garantie de remplacement instantané. BOSCH remplacera gratuitement votre produit laser ou votre instrument de mesure qui est devenu défectueux, malgré le fait qu'il a été utilisé conformément aux instructions et aux avertissements accompagnant le produit ou l'instrument, par un produit laser ou un instrument de mesure neuf ayant des caractéristiques comparables, à n'importe quel moment pendant l'année suivant l'achat. Cette garantie ne s'appliquera pas si votre produit laser ou instrument de mesure est défectueux seulement en conséquence du besoin de réétalonnage.
- Deuxième et troisième année – échange. BOSCH remplacera votre produit laser ou votre instrument de mesure qui est devenu défectueux, malgré le fait qu'il a été utilisé conformément aux instructions et aux avertissements accompagnant le produit ou l'instrument, par un produit laser ou un instrument de mesure neuf ou remis en état ayant des caractéristiques comparables moyennant un coût d'échange. Cette garantie ne s'appliquera pas si votre produit laser ou instrument de mesure est défectueux seulement en conséquence du besoin de réétalonnage.

Pour obtenir tous les détails nécessaires à une réclamation en vertu de la présente Garantie limitée, veuillez visiter www.boschtools.com ou téléphoner au 1-877-267-2499.

TOUTES LES GARANTIES IMPLICITES AURONT UNE DURÉE LIMITÉE À UN AN À COMPTER DE LA DATE DE L'ACHAT. COMME CERTAINS ÉTATS AUX ÉTATS-UNIS ET CERTAINES PROVINCES AU CANADA NE PERMETTENT PAS LA LIMITATION DE LA DURÉE DES GARANTIES IMPLICITES, LA LIMITATION QUI PRÉCÈDE NE S'APPLIQUE PEUT-ÊTRE PAS À VOUS.

LE VENDEUR NE SERA EN AUCUN CAS RESPONSABLE POUR DE QUELCONQUES DOMMAGES INDIRECTS OU SECONDAIRES (Y COMPRIS, MAIS SANS LIMITATION, LA RESPONSABILITÉ POUR PERTE DE BÉNÉFICES) RÉSULTANT DE LA VENTE OU DE L'UTILISATION DE CE PRODUIT. COMME CERTAINS ÉTATS AUX ÉTATS-UNIS ET CERTAINES PROVINCES AU CANADA NE PERMETTENT PAS L'EXCLUSION OU LA LIMITATION DES DOMMAGES INDIRECTS OU SECONDAIRES, LA LIMITATION QUI PRÉCÈDE NE S'APPLIQUE PEUT-ÊTRE PAS À VOUS.

CETTE GARANTIE LIMITÉE VOUS CONFÈRE DES DROITS LÉGAUX SPÉCIFIQUES, ET VOUS POUVEZ AVOIR D'AUTRES DROITS, QUI VARIENT D'UN ÉTAT À L'AUTRE AUX ÉTATS-UNIS, D'UNE PROVINCE À L'AUTRE AU CANADA ET D'UN PAYS À L'AUTRE.

CETTE GARANTIE LIMITÉE NE S'APPLIQUE QU'AUX PRODUITS VENDUS AUX ÉTATS-UNIS D'AMÉRIQUE, AU CANADA ET À PORTO RICO. POUR CONNAÎTRE LA COUVERTURE DE LA GARANTIE DANS D'AUTRES PAYS, VEUILLEZ CONTACTER VOTRE DISTRIBUTEUR OU IMPORTATEUR BOSCH OU CST/BERGER.

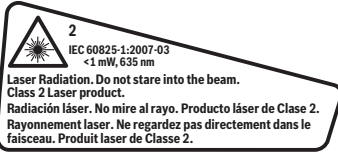
Normas generales de seguridad



ADVERTENCIA Lea todas las instrucciones. Si no se siguen todas las instrucciones que aparecen a continuación, el resultado podría ser exposición a radiación peligrosa, descargas eléctricas, incendio y/o lesiones graves. La expresión “herramienta de medición, detección y disposición” en todas las advertencias que aparecen a continuación se refiere a su herramienta de medición, detección y disposición alimentada por la red eléctrica (alámbrica) o su herramienta de medición, detección y disposición alimentada por baterías (inalámbrica).



Las siguientes etiquetas están colocadas en su herramienta láser para brindarle conveniencia y seguridad. Indican el lugar donde la luz láser es emitida por el nivel. CONOZCA SIEMPRE su ubicación cuando utilice el nivel.



No dirija el rayo láser hacia personas o animales y no mire al rayo láser usted mismo. Esta herramienta produce radiación láser de clase 2 y cumple con las normas 21 CFR 1040.10 y 1040.11, excepto por las desviaciones conformes al Aviso sobre láser No. 50, de fecha 24 de junio de 2007. Esto puede causar ceguera en las personas.

NO retire ni desfigure ninguna etiqueta de advertencia o de precaución. Si se retiran las etiquetas, se aumenta el riesgo de exposición a radiación láser.

La utilización de controles o ajustes, o la realización de procedimientos que no sean los especificados en este manual, puede causar exposición a radiación peligrosa.

Asegúrese SIEMPRE de que todas las personas que se encuentren en la vecindad del lugar de uso conozcan los peligros de mirar directamente al láser.

NO coloque la herramienta en una posición que pueda hacer que alguien mire al rayo láser de manera intencional o accidental. El resultado podría ser lesiones graves en los ojos.

Posicione SIEMPRE la herramienta de manera segura. Si la herramienta falla, el resultado podría ser daños a la misma y/o lesiones graves al usuario.

Utilice SIEMPRE sólo los accesorios que estén recomendados por el fabricante de su herramienta. El uso de accesorios que hayan sido diseñados para utilizarse con otras herramientas podría causar lesiones graves.

NO utilice esta herramienta para propósitos que no sean los indicados en este manual. Si lo hace, el resultado podría ser lesiones graves.

NO deje la herramienta láser “ENCENDIDA” desatendida en ningún modo de funcionamiento.

NO desarme la herramienta. En su interior no hay piezas reparables ni reemplazables por el usuario. No modifique el producto de ninguna manera. Si se modifica la herramienta, el resultado podría ser exposición a radiación láser peligrosa.

NO utilice los anteojos de visión láser como anteojos de seguridad. Los anteojos de visión láser se utilizan para mejorar la visualización del rayo láser, pero no protegen contra la radiación láser.

NO utilice los anteojos de visión láser como lentes de sol o en tráfico. Los anteojos de visión láser no ofrecen protección completa contra los rayos UV y reducen la percepción de los colores.

NO use herramientas ópticas, tales como, pero no limitadas a, telescopios o telescopios meridianos, para ver el rayo láser. El resultado podría ser lesiones graves en los ojos.

NO mire directamente al rayo láser ni proyecte el rayo láser directamente a los ojos de otras personas. El resultado podría ser lesiones graves en los ojos.

GUARDE ESTAS INSTRUCCIONES

Seguridad en el área de trabajo

Mantenga el área de trabajo limpia y bien iluminada. Las áreas desordenadas u oscuras invitan a que se produzcan accidentes.

NO utilice la herramienta láser cerca de niños ni deje que los niños utilicen la herramienta láser. El resultado podría ser lesiones graves en los ojos.

Seguridad eléctrica

⚠ ADVERTENCIA Las baterías pueden explotar o tener fugas y causar lesiones o incendios. Para reducir este riesgo, siga siempre todas las instrucciones y advertencias que están en la etiqueta y en el paquete de las baterías.

NO haga cortocircuito en los terminales de las baterías.

NO cargue baterías alcalinas.

NO mezcle baterías viejas y nuevas. Reemplace todas las baterías al mismo tiempo con baterías nuevas de la misma marca y el mismo tipo.

NO mezcle las químicas de las baterías.

Deseche o recicle las baterías de acuerdo con el código local.

NO deseche las baterías en un fuego.

Mantenga las baterías fuera del alcance de los niños.

Retire las baterías si el dispositivo no se va a usar durante varios meses.

Seguridad personal

Manténgase alerta, fíjese en lo que está haciendo y use el sentido común cuando utilice una herramienta. No utilice una herramienta mientras esté cansado o bajo la influencia de drogas, alcohol o medicamentos. Un momento de descuido mientras se utiliza una herramienta puede causar lesiones personales graves o resultados de medición incorrectos.

Use equipo de seguridad. Use siempre protección de los ojos. El equipo de seguridad, tal como una máscara antipolvo, zapatos de seguridad antideslizantes, casco o protección de la audición, utilizado para las condiciones apropiadas, reducirá las lesiones corporales.

Dispositivo de posicionamiento



No coloque el dispositivo de posicionamiento 17 cerca de personas que utilicen un marcapasos. El campo magnético que produce el Dispositivo de posicionamiento (fig. P) puede perturbar el funcionamiento de los marcapasos.

- **Mantenga el dispositivo de posicionamiento 17 alejado de soportes de datos magnéticos y de aparatos sensibles a los campos magnéticos.** La Dispositivo de posicionamiento 17 puede provocar una pérdida de datos irreversible.

Uso y cuidado

Use la herramienta correcta para la aplicación que vaya a realizar. La herramienta correcta de medición, detección y disposición hará el trabajo mejor y de manera más segura a la capacidad nominal para la que fue diseñada.

No utilice la herramienta si el interruptor no la enciende y apaga. Cualquier herramienta que no se pueda controlar con el interruptor es peligrosa y debe ser reparada.

Cuando no esté utilizando la herramienta, almacénela fuera del alcance de los niños y no deje que las personas que no estén familiarizadas con ella o con estas instrucciones utilicen la herramienta. Las herramientas son peligrosas en las manos de los usuarios que no hayan recibido capacitación.

Mantenga las herramientas. Compruebe si hay piezas desalineadas o que se atoren, si hay piezas rotas y si existe cualquier otra situación que pueda afectar al funcionamiento. Si la herramienta está dañada, se debe reparar antes de utilizarla. Muchos accidentes son causados por herramientas de medición, detección y disposición mal mantenidas.

Utilice la herramienta, los accesorios, etc., de acuerdo con estas instrucciones y de la manera prevista para el tipo específico de herramienta, teniendo en cuenta las condiciones de trabajo y el trabajo que se vaya a realizar. El uso de la herramienta para realizar operaciones distintas a las previstas podría causar una situación peligrosa.

Servicio

Haga que su herramienta reciba servicio de ajustes y reparaciones por un técnico de reparaciones calificado, utilizando únicamente piezas de repuesto idénticas. Esto asegurará que se mantenga la seguridad de la herramienta.

Desarrolle un programa de mantenimiento periódico para su herramienta. Cuando limpie una herramienta, tenga cuidado de no desarmar ninguna parte de la herramienta, ya que los cables internos se pueden descolocar o pellizcar, o se pueden montar incorrectamente. Ciertos agentes de limpieza, tales como gasolina, tetracloruro de carbono, amoníaco, etc., pueden dañar las piezas de plástico.

GUARDE ESTAS INSTRUCCIONES.

Uso previsto

Esta herramienta está diseñada para determinar y comprobar líneas horizontales y verticales.

Preparación

Inserción y cambio de la pila

Usar exclusivamente pilas alcalinas-manganeso.

Para abrir la tapa del alojamiento de la pila **8** presione el enclavamiento **11** en sentido de la flecha y retire la tapa. Inserte las pilas que se adjuntan. Respete la polaridad correcta mostrada en la parte interior del alojamiento de las pilas.

Si el indicador de estado de carga de la pila **5** parpadea en rojo, es necesario cambiar las pilas. Siempre sustituya todas las pilas al mismo tiempo. Utilice pilas del mismo fabricante e igual capacidad.

- **Saque las pilas del aparato de medida si pretende no utilizarlo durante largo tiempo. Tras un tiempo de almacenaje prolongado, las pilas se puede llegar a corroer y autodescargar.**

Características

La numeración de los componentes está referida a la imagen del aparato de medición en la página ilustrada.

- 1 Abertura de salida del rayo láser
- 2 Indicador de la función de ráfagas
- 3 Selector de la función de ráfagas
- 4 Selector de modos de operación
- 5 Símbolo de estado de carga
- 6 Fijación para trípode 1/4"
- 7 Interruptor de conexión/desconexión
- 8 Tapa del alojamiento de la pila
- 9 Número de serie

- 10 Señal de aviso láser
- 11 Enclavamiento de la tapa del alojamiento de la pila
- 12 Estuche de protección*
- 13 Maletín*
- 14 Gafas para láser*
- 15 Placa de medición con base*
- 16 Receptor láser*
- 17 Dispositivo de posicionamiento
- 18 Sistema de poste telescópico

*Los accesorios descritos e ilustrados no corresponden al material que se adjunta de serie.

Datos Técnicos

Alcance	
– Estándar	.20 m
– Con receptor láser	.50 m
Precisión de nivelación	±0,3 mm/m
Precisión de nivelación típico	hasta 6 mm a 30m
Margen de autonivelación, típico	±4°
Tiempo de nivelación, típico	<4 s
Temperatura de operación	–10° C +50° C
Temperatura de almacenamiento	–20° C +70° C
Humedad relativa máx.	.90 %
Clase de láser	.2
Tipo de láser	.635 nm, <1 mW
C6	>3,33

Fijación para trípode	.1/4"
Pilas	.3 x 1,5 V LR6 (AA)
Autonomía aprox.	.12 h
Desconexión automática después de aprox.	.30 min
Peso según EPTA-Procedure 01/2003	.0,45 kg
Dimensiones	.118 x 57 x 89 mm
Grado de protección	.IP 54
(protección contra polvo y salpicaduras de agua)	
Preste atención al nº de artículo que figura en la placa de características de su aparato de medida, ya que pueden variar las denominaciones comerciales en ciertos aparatos de medida.	
El número de serie 9 grabado en la placa de características permite identificar de forma unívoca el aparato de medida.	

Operación

Puesta en marcha

- **Proteja el aparato de medida de la humedad y de la exposición directa al sol.**
- **No exponga el aparato de medición ni a temperaturas extremas ni a cambios bruscos de temperatura.** No lo deje, p.ej., en el coche durante un largo tiempo. Si el aparato de medición ha quedado sometido a un cambio fuerte de temperatura, antes de ponerlo en servicio, esperar primero a que se atempere. Las temperaturas extremas o los cambios bruscos de temperatura pueden afectar a la precisión del aparato de medición.
- **Evite las sacudidas o caídas fuertes del aparato de medida.** En caso de que el aparato de medida haya quedado sometido a unas sollicitaciones fuertes exteriores, antes de continuar trabajando con él deberá realizarse una comprobación de la precisión (ver "Precisión de nivelación").
- **Desconecte el aparato de medición cuando vaya a transportarlo.** Al desconectarlo, la unidad del péndulo se inmoviliza, evitándose así que se dañe al quedar sometida a una fuerte agitación.

Conexión/desconexión

Para conectar el aparato de medición empuje el interruptor de conexión/desconexión **7** a la posición "on" (para trabajar SIN nivelación automática) o a la posición "on" (para trabajar CON nivelación automática). Nada más conectarlo, el aparato emite un rayo láser por cada abertura de salida **1**.

- **No oriente el rayo láser contra personas ni animales, ni mire directamente hacia el rayo láser, incluso encontrándose a gran distancia.**

Para **desconectar** el aparato de medición, empuje el interruptor de conexión/desconexión **7** a la posición "off". Al desconectarlo se inmoviliza la unidad del péndulo.

Desactivación del automatismo de desconexión

Después de 30 min de funcionamiento, el aparato de medición se desconecta automáticamente. Para desactivar la desconexión automática, mantenga apretado durante 3 s el selector de modos de operación **4** al conectar el aparato de medición. Si se ha desactivado el automatismo de desconexión, las líneas láser parpadean brevemente después de 3 s.

- **No deje desatendido el aparato de medición estando conectado, y desconéctelo después de cada uso.** El rayo láser podría llegar a deslumbrar a otras personas.

Para activar el automatismo de desconexión, desconecte y vuelva a conectar el aparato de medición (sin mantener presionado el selector de modos de operación **4**).

Modos de operación (ver figuras A-D)

El aparato de medición dispone de tres modos de operación los cuales puede Ud. seleccionar siempre que quiera:

- Modalidad horizontal "–": genera una línea láser horizontal,
- Modalidad vertical "I": genera una línea láser vertical,
- Modalidad de línea en cruz "+": genera una línea láser horizontal y otra vertical.

Al conectar el aparato de medición se activa automáticamente la modalidad de líneas en cruz. Para cambiar de modalidad, pulse el selector de modos de operación **4**.

Las tres modalidades pueden seleccionarse con y sin nivelación automática.

Función de ráfagas

El receptor láser LR2 permite que el GLL2-50 se utilice en situaciones en las cuales no se pueden ver las líneas. La función de pulso se activa separadamente de la selección del modo de funcionamiento. El GLL2-50 no funciona con otros receptores láser.

Teniendo seleccionada la función de ráfagas las líneas láser centellean a una frecuencia muy elevada, permitiendo así que sean detectadas por el receptor láser **16**.

Para activar la función de ráfagas presione el selector **3**. Al estar activada la función de ráfagas el indicador **2** se ilumina de color verde.

Para el ojo humano, la percepción de las líneas láser es menor teniendo activada la función de ráfagas. Por ello, siempre que no trabaje con el receptor láser desactive el función de ráfagas presionando nuevamente la tecla **3**. Al estar desactivada la función de ráfagas se apaga el indicador **2**.

Nivelación automática

Operación con nivelación automática (ver figura C)

Coloque el aparato de medición en posición horizontal sobre una base firme, o móntelo en un trípode fotográfico de tipo comercial.

Para trabajar con nivelación automática coloque el interruptor de conexión/desconexión **7** en la posición "on".


La nivelación automática compensa automáticamente aquellos desniveles comprendidos dentro del margen de autonivelación de $\pm 4^\circ$. El aparato de medición se encuentra nivelado en el momento en que los rayos láser dejen de parpadear.

Las líneas láser parpadean si no fuese posible realizar el nivelado automático, p.ej., si la base de asiento del aparato estuviese inclinada más de 4° respecto a la horizontal. En ese caso, coloque horizontalmente el

aparato de medición y espere a que se autonivele.

En el caso de presentarse sacudidas o ligeras variaciones de posición durante la operación, el aparato de medición se nivela automáticamente. Después de un nuevo nivelado, controle la posición de la línea láser horizontal o vertical respecto a los puntos de referencia para evitar errores en la medición.

Operación sin nivelación automática (ver figura D)

Para trabajar sin nivelación automática coloque el interruptor de conexión/desconexión **7** en la posición "  on". Estando desconectada la nivelación

automática, los rayos láser parpadean continuamente.

Con la nivelación automática desconectada es posible mantener sujeto el aparato de medición con la mano o depositarlo sobre una base inclinada.

En la modalidad de línea en cruz puede ocurrir que ambas líneas láser no queden perpendiculares entre sí.

Instrucciones para la operación

- Siempre utilice el centro del haz del láser para marcar un punto. El tamaño del haz del láser varía con la distancia.

Precisión de Nivelación

Factores que afectan a la precisión

La influencia más fuerte la tiene la temperatura ambiente. Especialmente las variaciones de temperatura que pudieran existir a diferente altura respecto al suelo pueden provocar una desviación del rayo láser.

Ya que las variaciones de temperatura son mayores cerca del suelo se recomienda montar siempre el aparato de medida sobre un trípode al medir distancias superiores a los 20 m. Siempre que sea posible, coloque además el aparato de medida en el centro del área de trabajo.

Además de las influencias externas, también aquellas propias del aparato (p.ej. caídas o fuertes golpes) pueden provocar ciertos errores de medición. Por ello, antes de comenzar a trabajar, recomendamos controlar primero la precisión del aparato de medición.

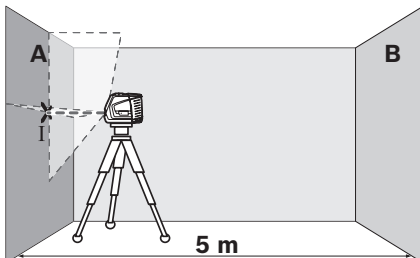
Compruebe primero la exactitud de altura y de nivelado de la línea láser horizontal, y a continuación la exactitud de nivelado de la línea láser vertical.

Si en alguna de estas comprobaciones se llega a sobrepasar la desviación máxima admisible, haga reparar el aparato de medición en un servicio técnico Bosch.

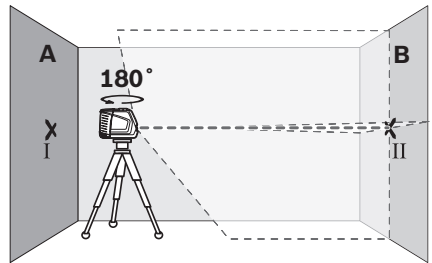
Comprobación de la exactitud de altura de la línea horizontal

Para la comprobación se requiere un tramo libre de 5 m sobre un firme consistente con dos paredes A y B.

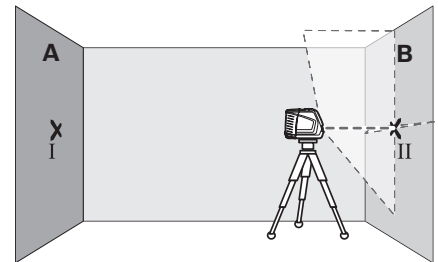
- Coloque el aparato de medición cerca de la pared A montándolo sobre un trípode, o colocándolo sobre un firme consistente y plano. Conecte el aparato de medición. Seleccione la modalidad de línea en cruz con nivelación automática.



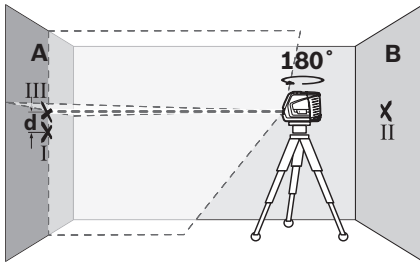
- Oriente el láser contra la cercana pared A, y deje que se nivele el aparato de medición. Marque en la pared el centro del punto de intersección de las líneas láser (punto I).



- Gire el aparato de medición 180°, espere a que éste se haya nivelado, y marque el centro del punto de intersección de las líneas láser en la pared opuesta B (punto II).



- Posicione el aparato de medida – sin girarlo cerca de la pared B, conéctelo, y espere a que se nivele.
- Variar el nivel de altura del aparato de medición (con el trípode, o bien calzándolo) de manera que el centro del haz en el punto de intersección de las líneas láser incida exactamente contra el punto II marcado previamente en la pared B.



- Gire 180° el aparato de medición, sin modificar su altura. Oriéntelo contra la pared A, de manera que la línea vertical del láser pase por el punto I previamente marcado. Espere a que se haya nivelado el aparato de medición, y marque el centro del punto de intersección de las líneas láser en la pared A (punto III).
- La diferencia d entre ambos puntos I y III marcados sobre la pared A corresponde a la desviación real de altura del aparato de medición.

La desviación admisible máxima dm_{\max} se calcula según sigue:

dm_{\max} = dos veces la separación entre paredes
x $0,3 \text{ mm/m}$

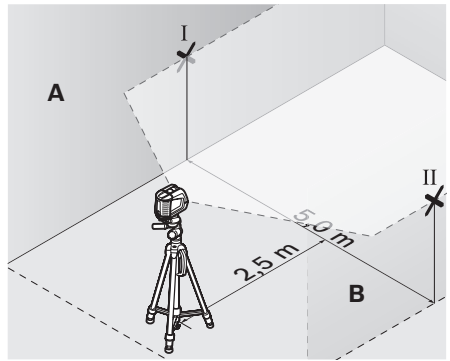
Ejemplo: Con una separación entre paredes de 5 m, la desviación máxima podrá ser

$dm_{\max} = 2 \times 5 \text{ m} \times 0,3 \text{ mm/m} = 3 \text{ mm}$. La diferencia entre las marcas podrá ascender por lo tanto como máximo a 3 mm.

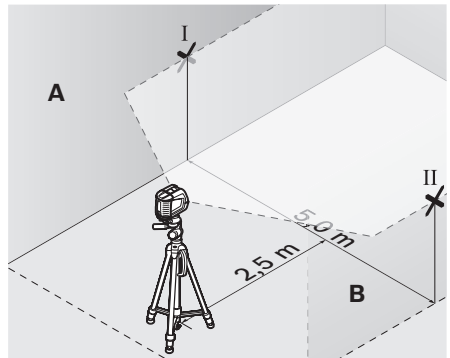
Comprobación de la exactitud de nivelación de la línea horizontal

Para la comprobación se requiere una superficie libre de aprox. $5 \times 5 \text{ m}$.

- Coloque el aparato de medición sobre un firme consistente y plano, en el centro, entre ambas paredes A y B. Deje que el aparato de medición se nivele en la modalidad horizontal.



- Con el aparato de medición situado a una separación de 2,5 m, marque en ambas paredes el centro del haz del láser (punto I en pared A y punto II en pared B).



- Gire 180° el aparato de medición, colóquelo a una distancia de 5 m, y deje que se nivele.
- Varíe el nivel de altura del aparato de medición (con el trípode, o bien calzándolo) de manera que el centro del haz incida exactamente contra el punto II marcado previamente en la pared B.
- Marque en la pared A, en el centro de la línea láser, el punto III (más arriba o abajo, según el caso, pero coincidiendo con la posición vertical del punto I).
- La diferencia d entre ambos puntos I y III marcados sobre la pared A corresponde a la desviación real respecto a la horizontal del aparato de medición.

La desviación admisible máxima dm_{\max} se calcula según sigue:

dm_{\max} = dos veces la separación entre paredes x $0,3 \text{ mm/m}$

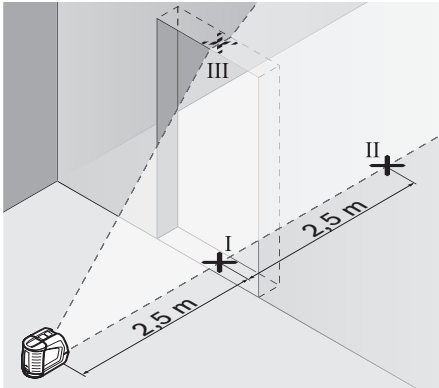
Ejemplo: Con una separación entre paredes de 5 m, la desviación máxima podrá ser

$dm_{\max} = 2 \times 5 \text{ m} \times 0,3 \text{ mm/m} = 3 \text{ mm}$. La diferencia entre las marcas podrá ascender por lo tanto como máximo a 3 mm.

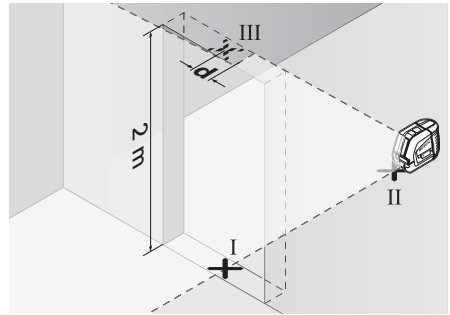
Comprobación de la exactitud de nivelación de la línea vertical

Para la comprobación se requiere el vano de una puerta, debiéndose disponer de un espacio mínimo antes y de después del mismo de 2,5 m sobre un firme consistente.

- Coloque el aparato de medición sobre un plano firme y consistente (sin emplear un trípode) a una separación de 2,5 m respecto al vano de la puerta. Deje que se nivele el aparato de medición en la modalidad de línea en cruz, y oriente los rayos láser contra el vano de la puerta.



- Marque el centro de la línea láser vertical en el vano de la puerta, sobre el suelo (punto I), a 5 m de distancia desde el otro lado del vano de la puerta (punto II), así como en su parte superior (punto III).



- Coloque el aparato de medición al otro lado del vano de la puerta, directamente detrás del punto II. Deje que se nivele el aparato de medición y alinee la línea láser vertical de manera que su centro coincida exactamente con los puntos I y II.
- La diferencia d entre el punto III y el centro de la línea láser en la parte superior del vano de la puerta corresponde a la desviación real respecto a la vertical del aparato de medición.
- Mida la altura del vano de la puerta.

La desviación admisible $dm_{\text{máx}}$ se calcula de la manera siguiente:

$$dm_{\text{máx}} = \text{dos veces la altura del vano de la puerta} \times 0,3 \text{ mm/m}$$

Ejemplo: Si la altura del vano de la puerta fuese de 2 m, la desviación máxima deberá ser

$$dm_{\text{máx}} = 2 \times 2 \text{ m} \times 0,3 \text{ mm/m} = 1,2 \text{ mm. La diferencia entre las marcas podrá ascender por lo tanto como máximo a } 1,2 \text{ mm.}$$

Utilice con accesorios especial

Trabajo con el dispositivo de posicionamiento (accesorio) (vea las figuras I - Q)

El dispositivo de posicionamiento **17** brinda la capacidad fácil de posicionar apropiadamente la línea o líneas láser.

Se instala en las superficies del lugar de la obra de la manera siguiente:

- En trípodes con una montura de 1/4-20 ó 5/8-11
- En montantes de acero utilizando los imanes ubicados en la parte trasera
- En panel de yeso o paredes de madera utilizando tornillos
- En tuberías u objetos similares utilizando correa disponible comercialmente (no incluida)
- En el sistema de poste telescópico **18** Bosch BP350 opcional para brindar la máxima versatilidad en el ajuste de la altura.

También se puede utilizar como minitripode.

- Para instalar la herramienta láser, atornille la montura de 1/4-20 en la herramienta y apriétela. Gire el pomo y la herramienta juntos según sea necesario para posicionar apropiadamente la línea o líneas láser.
- Para ajustar la altura de las líneas láser, suelte el cierre de la altura, ajuste la altura usando el pomo de ajuste y gire el cierre de la altura para asegurar la altura.

Aplicación de la placa de medición (accesorio especial)

Con la placa de medición **15** puede Vd. transferir la posición del ayo láser contra el suelo, o bien, el nivel de altura del láser sobre una pared.

Con el espacio existente en el punto de cero, más la escala, puede medirse la diferencia existente respecto a la altura deseada y transferirse así a otro punto. Ello hace innecesario el ajuste exacto del aparato de medida a la altura deseada.

La placa de medición **15** dispone de un recubrimiento reflectante que hace más perceptible el rayo láser a distancias más grandes o con sol intenso. La mayor intensidad luminosa solamente es apreciable mirando paralelamente a lo largo del rayo láser hacia la placa de medición.

Operación con trípode (accesorio especial)

Un trípode constituye una base de nivelación estable ajustable en altura. Encare la fijación para trípode **6** del aparato de medición con la rosca de 1/4" del trípode, y sujételo apretando el tornillo de fijación.

Operación con receptor láser (accesorio especial) (ver figura E e H)

Si las condiciones de luz fuesen desfavorables (entorno claro, radiación solar directa) o si las distancias fuesen grandes, utilice el receptor láser para detectar más

fácilmente el rayo láser **16**. Al trabajar con el receptor láser active la función de ráfagas (ver "Función de ráfagas", página 26).

Gafas para láser (accesorio especial) (ver figura H)

Las gafas para láser filtran la luz del entorno. Ello permite apreciar con mayor intensidad la luz roja del láser.

- **No use las gafas para láser como gafas de protección.** Las gafas para láser le ayudan a detectar mejor el rayo láser, pero no le protegen de la radiación láser.
- **No emplee las gafas para láser como gafas de sol ni para circular.** Las gafas para láser no le protegen suficientemente contra los rayos ultravioleta y además no le permiten apreciar correctamente los colores.

Mantenimiento y servicio

Solamente guarde y transporte el aparato de medición en el estuche de protección **12** o en el maletín **13**.

Mantenga limpio siempre el aparato de medida.

No sumerja el aparato de medición en agua ni en otros líquidos.

Limpiar el aparato con un paño húmedo y suave. No usar detergentes ni disolventes.

Limpie con regularidad sobre todo el área en torno a la abertura de salida del láser, cuidando que no queden motas.

Si a pesar de los esmerados procesos de fabricación y control, el aparato de medida llegase a averiarse, la reparación deberá encargarse a un taller de servicio autorizado para herramientas eléctricas Bosch.

Al realizar consultas o solicitar piezas de repuesto, es imprescindible indicar siempre el nº de artículo de 10 dígitos que figura en la placa de características del aparato de medida.

En caso de una reparación, envíe el aparato en el estuche de protección **12** o en el maletín **13**.

PROTECCIÓN AMBIENTAL

Recicle materias primas en vez de botarlas a la basura.



La máquina, los accesorios y el empaque deberán ser clasificados para un reciclado compatible con el ambiente.

No bote las baterías en la basura de su casa, al fuego o al agua, sino deshágase de ellas en una forma amiga del medio ambiente y de acuerdo con las regulaciones legales que corresponden.

GARANTÍA LIMITADA PARA PRODUCTOS DE HERRAMIENTAS LÁSER Y DE MEDICIÓN BOSCH

Robert Bosch Tool Corporation (el "Vendedor") garantiza, únicamente al comprador original, que todos los productos de herramientas láser y de medición BOSCH estarán libres de defectos de material o de fabricación durante un período de tres (3) años a partir de la fecha de compra.

LA ÚNICA OBLIGACIÓN DEL VENDEDOR Y EL RECURSO EXCLUSIVO QUE USTED TIENE bajo esta Garantía Limitada y, hasta donde la ley lo permita, cualquier garantía o condición implícita por ley, consistirán en la reparación o el reemplazo de los productos de herramientas láser y de medición que presenten defectos de material o de fabricación y que no hayan sido utilizados incorrectamente, manejados descuidadamente o reparados incorrectamente por personas que no sean el Vendedor o proveedores de Servicio Autorizados por el Vendedor.

LA OBLIGACIÓN DEL VENDEDOR Y EL RECURSO QUE USTED TIENEN ESTÁN LIMITADOS ADICIONALMENTE DE LA MANERA SIGUIENTE:

- **Reembolso de devolución del dinero o reemplazo durante 30 días.** Si no está completamente satisfecho con el rendimiento de su producto de herramienta láser o de medición, por cualquier motivo, puede devolverlo a distribuidor BOSCH dentro del plazo de 30 días a partir de la fecha de compra para obtener un reembolso completo o un reemplazo. Para obtener este reembolso o reemplazo dentro del plazo de 30 días, su devolución debe estar acompañada por el recibo de compra original del producto de herramienta láser o de medición. Se permitirá un máximo de 2 devoluciones por cliente.
- **Garantía OTC durante el primer año.** BOSCH reemplazará su producto de herramienta láser o de medición que haya fallado cuando se haya utilizado de acuerdo con las instrucciones y advertencias del producto, con un producto de herramienta láser o de medición nuevo de características comparables, gratuitamente, en cualquier momento durante el primer año después de la compra. Esta garantía no se aplica si su producto de herramienta láser o de medición falla solamente debido a la necesidad de calibración.
- **Intercambio dentro del plazo de 2 y 3 años.** BOSCH reemplazará su producto de herramienta láser o de medición que haya fallado cuando se haya utilizado de acuerdo con las instrucciones y advertencias del producto, con un producto de herramienta láser o de medición nuevo o reacondicionado de características comparables, por un costo de intercambio. Esta garantía no tiene aplicación si su producto de herramienta láser o de medición falla solamente debido a la necesidad de recalibración.

Para obtener detalles con el fin de presentar un reclamo bajo esta Garantía Limitada, sírvase visitar www.boschtools.com o llamar al 1-877-267-2499.

TODAS LAS GARANTÍAS IMPLÍCITAS TENDRÁN UNA DURACIÓN LIMITADA A UN AÑO A PARTIR DE LA FECHA DE COMPRA. ALGUNOS ESTADOS DE LOS EE.UU. Y ALGUNAS PROVINCIAS CANADIENSES NO PERMITEN LIMITACIONES EN CUANTO A LA DURACIÓN DE UNA GARANTÍA IMPLÍCITA, POR LO QUE ES POSIBLE QUE LA LIMITACIÓN QUE ANTECEDE NO TENGA APLICACIÓN EN EL CASO DE USTED.

EL VENDEDOR NO SERÁ RESPONSABLE EN NINGÚN CASO POR DAÑOS INCIDENTALES O EMERGENTES (INCLUYENDO PERO SIN ESTAR LIMITADOS A RESPONSABILIDAD POR PÉRDIDA DE GANANCIAS) QUE SURJAN DE LA VENTA O UTILIZACIÓN DE ESTE PRODUCTO. ALGUNOS ESTADOS DE LOS EE.UU. Y ALGUNAS PROVINCIAS CANADIENSES NO PERMITEN LA EXCLUSIÓN O LIMITACIÓN DE LOS DAÑOS INCIDENTALES O EMERGENTES, POR LO QUE ES POSIBLE QUE LA LIMITACIÓN QUE ANTECEDE NO TENGA APLICACIÓN EN EL CASO DE USTED.

ESTA GARANTÍA LIMITADA LE CONFIERE A USTED DERECHOS LEGALES ESPECÍFICOS Y ES POSIBLE QUE USTED TENGA TAMBIÉN OTROS DERECHOS QUE VARIAN DE UN ESTADO A OTRO EN LOS EE.UU. O DE UNA PROVINCIA A OTRA EN CANADÁ Y DE UN PAÍS A OTRO.

ESTA GARANTÍA LIMITADA SE APLICA SÓLO A LOS PRODUCTOS VENDIDOS EN LOS ESTADOS UNIDOS DE AMÉRICA, CANADÁ Y EL ESTADO LIBRE ASOCIADO DE PUERTO RICO. PARA OBTENER COBERTURA DE GARANTÍA EN OTROS PAÍSES, PÓNGASE EN CONTACTO CON SU DISTRIBUIDOR O IMPORTADOR BOSCH O CST/BERGER LOCAL.

© Robert Bosch Tool Corporation 1800 W. Central Road Mt. Prospect, IL 60056-2230
Exportado por: Robert Bosch Tool Corporation Mt. Prospect, IL 60056-2230, E.U.A.
Importado en México por: Robert Bosch, S.A. de C.V., Calle Robert Bosch No. 405, Zona Industrial,
Toluca, Edo. de México, C.P. 50070, Tel. (722) 2792300