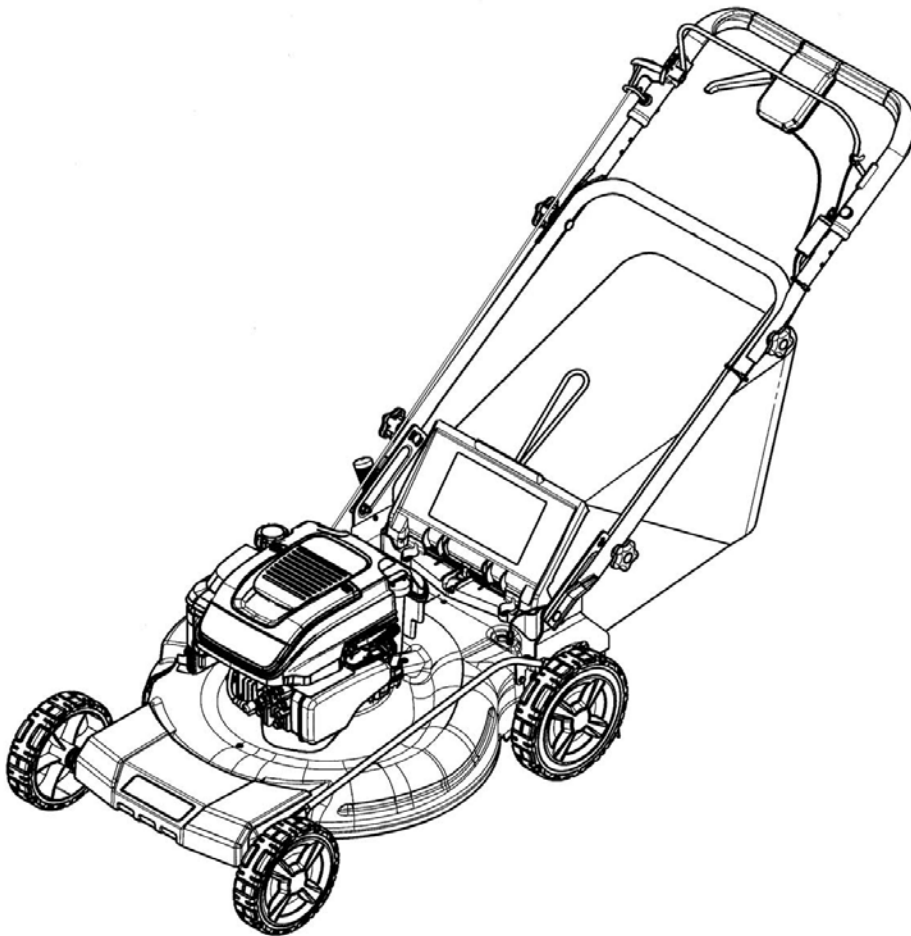


Parts Manual for

SNAPPER®

22" STEEL DECK REAR DISCHARGE VARIABLE SPEED MOWERS



| <i>Model No.</i> | <i>Description</i> |
|------------------|--------------------|
| 7800837 | SPV22725 |
| 7800896 | SPV22725 |
| 7800838 | SPV22725E |
| 7800897 | SPV22725E |

Briggs & Stratton Yard Power Products Group

535 Macon Road
McDonough, GA, 30253 U.S.A.
800-935-2967

Manual No. 7105334

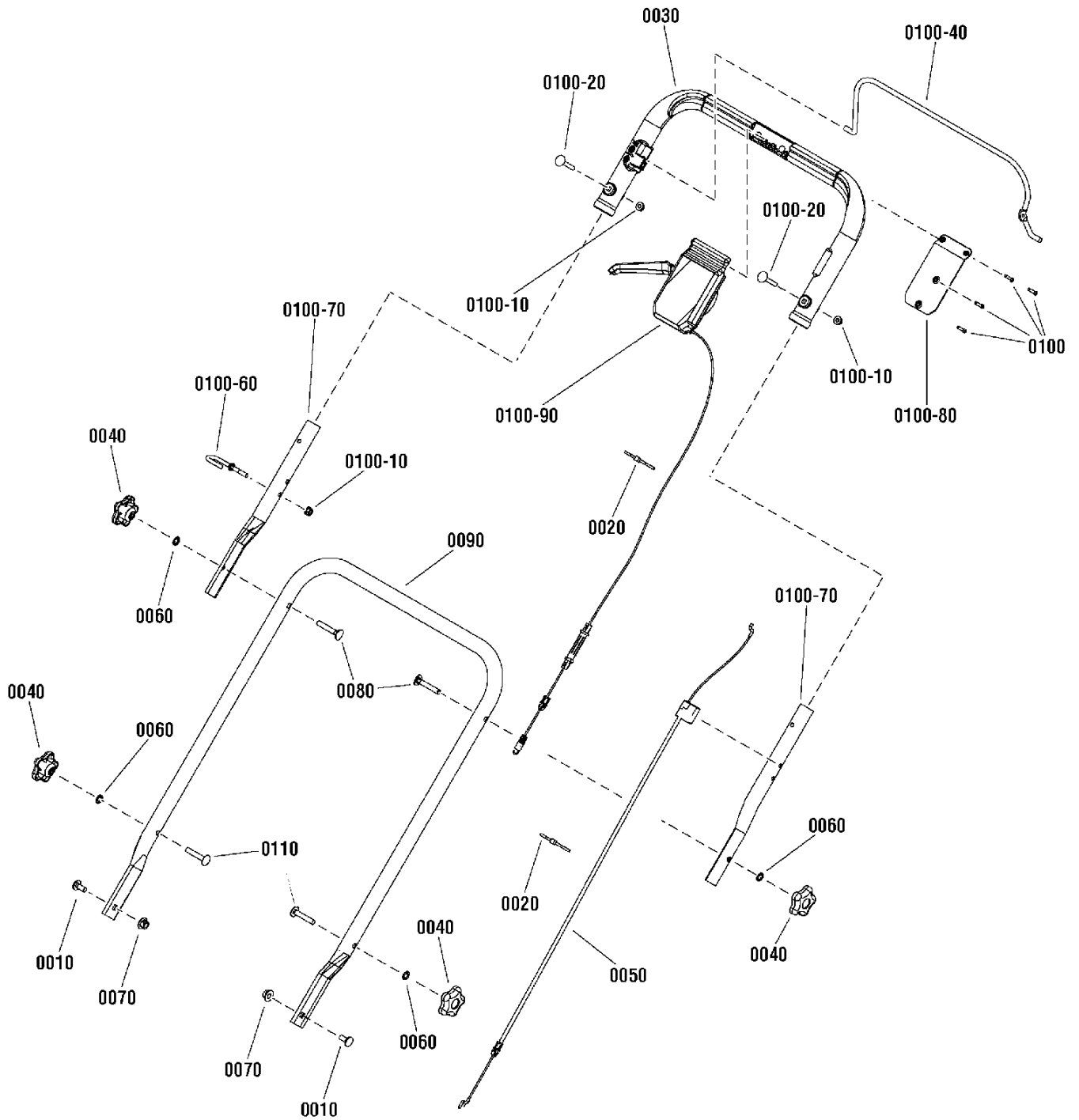
Revision: - 12/28/2011

Not for
Reproduction

| PAGE | GROUP |
|-------------|--------------------------------|
| 4 | Handles & Controls Group |
| 6 | Handles & Controls Group, ES |
| 8 | Deck Group, 22" RWD |
| 10 | Deck Group, 22" RWD ES |
| 12 | Wheels Group, Single Point HOC |
| 14 | Engine Group |
| 16 | Engine Group, ES |
| 18 | Transmission Group |
| 20 | Decals Group, 22" RWD |
| 22 | Decals Group, 22" RWD ES |
| 24 | Grass Catcher |

Not for
Reproduction

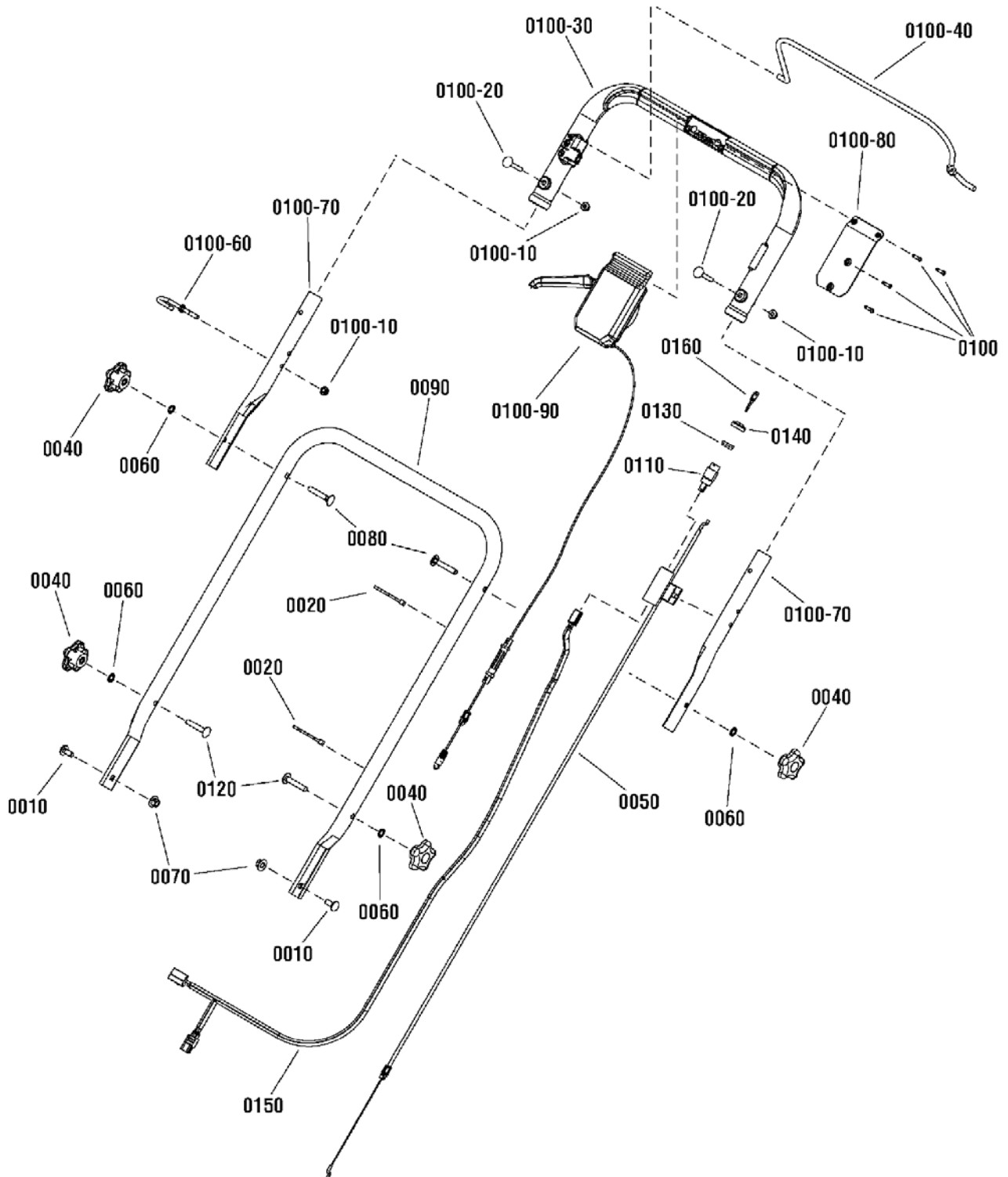
7502313



| Item | Part No | Qty | Description |
|-------------|----------------|------------|--|
| 0010 | 1931333 | 2 | BOLT, 5/16-18 x 3/4" Round Head Short Square Neck Carriage, GR 5 |
| 0020 | 7024649 | 2 | WIRE TIE, 11" |
| 0030 | 7101312 | 1 | HANDLE, Upper, Plastic, WBM |
| 0040 | 7105085 | 4 | KNOB, Handle, 5-Prong (5/16-18 internal threads) |
| 0050 | 7101395 | 1 | CABLE, Bail, 22" Walk-Behind Mower |
| 0060 | 7090391 | 4 | WASHER, 5/16 Internal Tooth Lock |
| 0070 | 7090951 | 2 | NUT, 5/16-18 Large Flange Center Lock |
| 0080 | 7091189 | 2 | BOLT, 5/16-18 x 2 Curved Head Square Neck, GR 2 |
| 0090 | 7301189BH | 1 | HANDLE, Lower, 1", WBM |
| 0100 | 95050 | 4 | SCREW, Pan Head Thread Rolling |
| 0100-10 | 2860694 | 3 | NUT, 1/4-20 Hex Flange, Nyloc, YZ |
| 0100-20 | 7090015 | 2 | BOLT, 1/4-20 x 1-3/4 Round Head Square Neck, GR 2 |
| 0100-40 | 7101321BH | 1 | BAIL, Plastic Handle, WBM |
| 0100-60 | 7104952 | 1 | GUIDE, Rope (1/4-20 threads) |
| 0100-70 | 7300649BH | 2 | HANDLE, Connecting, 21" / 22" WBM |
| 0100-80 | 7300670A | 1 | PLATE, Control Panel, Plastic Handle |
| 0100-90 | 7104768 | 1 | ASSEMBLY, Control Head, 22" WBM Variable Speed Rear Wheel Drive |
| 0110 | 1931338 | 2 | BOLT, 5/16-18 x 1-3/4" Round Head Square Neck Carriage |

Not for
Reproduction

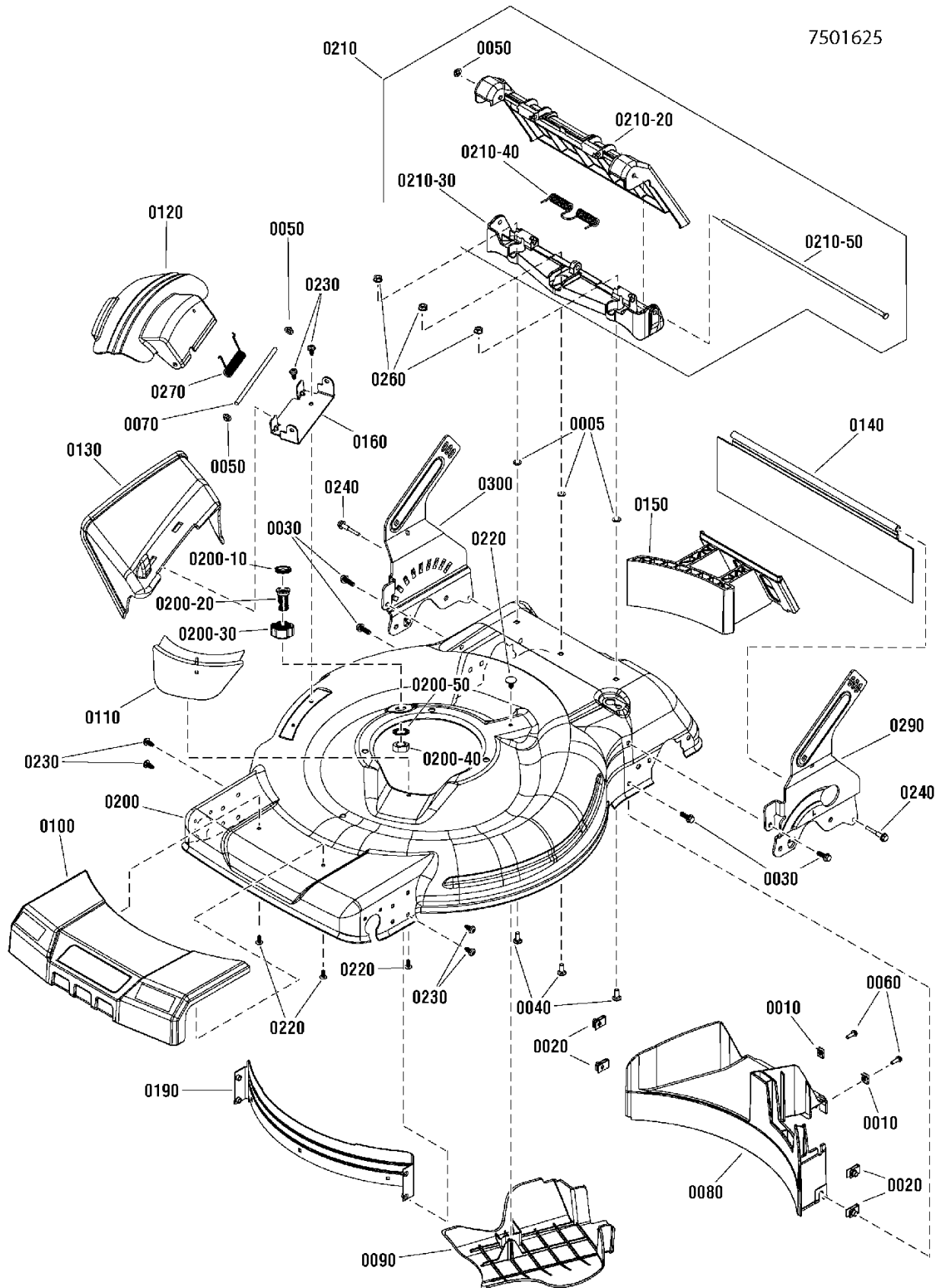
Footnotes:



| Item | Part No | Qty | Description |
|-------------|----------------|------------|--|
| 0010 | 1931333 | 2 | BOLT, 5/16-18 x 3/4" Round Head Short Square Neck Carriage, GR 5 |
| 0020 | 7024649 | 2 | WIRE TIE, 11" |
| 0040 | 7105085 | 4 | KNOB, Handle, 5-Prong (5/16-18 internal threads) |
| 0050 | 7103973 | 1 | CABLE, Bail, 21" Walk-Behind Mower, Electric Start |
| 0060 | 7090391 | 4 | WASHER, 5/16 Internal Tooth Lock |
| 0070 | 7090951 | 2 | NUT, 5/16-18 Large Flange Center lock |
| 0080 | 7091189 | 2 | BOLT, 5/16-18 x 2 Curved Head Square Neck, GR 2 |
| 0090 | 7301189BH | 1 | HANDLE, Lower, 1", WBM |
| 0100 | 95050 | 4 | SCREW, Pan Head Thread Rolling |
| 0100-10 | 2860694 | 3 | NUT, 1/4-20 Hex Flange, Nyloc,YZ |
| 0100-20 | 7090015 | 2 | BOLT, 1/4-20 x 1-3/4 Round Head Square Neck, GR 2 |
| 0100-30 | 7101312 | 1 | HANDLE, Upper, Plastic, WBM |
| 0100-40 | 7101321BH | 1 | BAIL, Plastic Handle, WBM |
| 0100-60 | 7101410 | 1 | GUIDE, Rope (1/4-20 threads) |
| 0100-70 | 7300649BH | 2 | HANDLE, Connecting, 21" / 22" WBM |
| 0100-80 | 7300670A | 1 | PLATE, Control Panel, Plastic Handle |
| 0100-90 | 7104768 | 1 | ASSEMBLY, Control Head, 22" WBM Variable Speed Rear Wheel Drive |
| 0110 | 7028765 | 1 | SWITCH, Electric Start, Start/Run |
| 0120 | 1931338 | 2 | BOLT, 5/16-18 x 1-3/4" Round Head Square Neck Carriage |
| 0130 | 7100329 | 1 | NUT, 5/8-32, Electric Start |
| 0140 | 7100330 | 1 | CAP, Electric Start |
| 0150 | 7103676 | 1 | WIRING HARNESS, Electric Start |
| 0160 | 7011138 | 1 | KEY (Pair) |

Not for
Reproduction

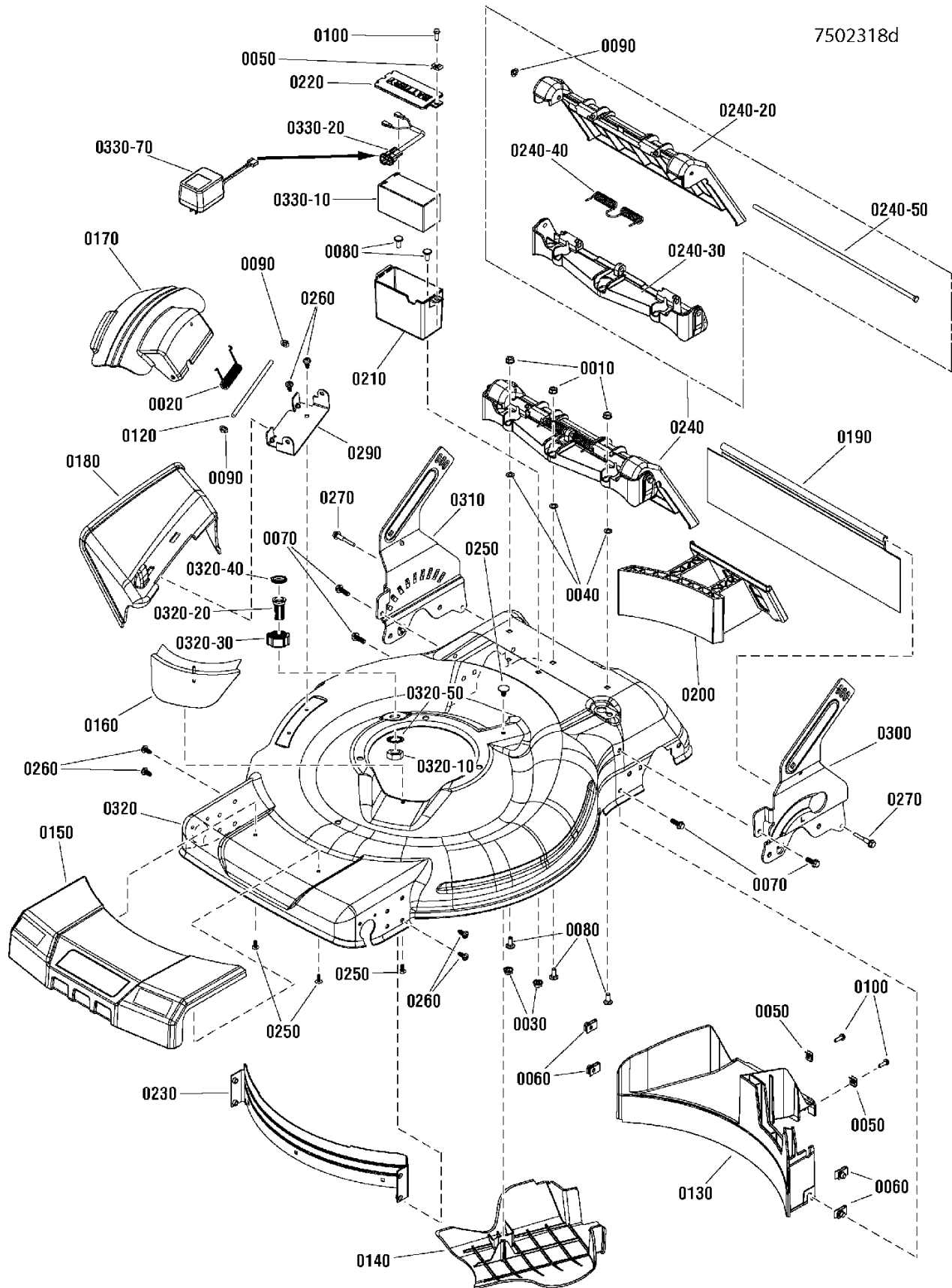
Footnotes:



| Item | Part No | Qty | Description |
|---------|-----------|-----|---|
| 0005 | 1960518 | 3 | BOLT RETAINER, 1/4" |
| 0010 | 1960593 | 2 | NUT, #10-24 Speed Retainer w/Extrusion |
| 0020 | 7023295 | 4 | U-NUT, 1/4-20 |
| 0030 | 7090699 | 4 | BOLT, 1/4-20 x 3/4" Hex Flange Lock, GR 5 |
| 0040 | 7090803 | 3 | BOLT, 1/4-20 x 5/8" Flat Head Square Neck, GR 5 |
| 0050 | 7091020 | 3 | PUSHNUT, 1/4" |
| 0060 | 7091075 | 2 | SCREW, #10-24 x 5/8" Hex Washer Face Self-Tap, GR 5 |
| 0070 | 7101067 | 1 | ROD, Pivot |
| 0080 | 7103293 | 1 | BAFFLE, Rear, Rear Wheel Drive WBM |
| 0090 | 7104819 | 1 | BELT COVER, Rear Drive |
| 0100 | 7103295 | 1 | COVER, Front, Push/Rear Wheel Drive |
| 0110 | 7103296 | 1 | DEBRIS SHIELD, Front |
| 0120 | 7103298 | 1 | COVER, Mulching |
| 0130 | 7103299 | 1 | CHUTE, Side Discharge, 22" WBM |
| 0140 | 7103323 | 1 | GUARD, Rear 22" |
| 0150 | 7103453 | 1 | PLUG, Mulching, 22" Deck |
| 0160 | 7300855BM | 1 | BRACKET, Chute |
| 0190 | 7301020 | 1 | BAFFLE, Front |
| 0200 | 7600155D | 1 | DECK, 22", Rear Wheel Drive, Washout (was 7301112D) |
| 0200-10 | 1960716 | 1 | NUT, 5/8-11, NC-2B Black Hex Jam |
| 0200-20 | 7103804 | 1 | ADAPTOR, Washout Port, WBM |
| 0200-30 | 7103919 | 1 | COUPLING, Hose |
| 0200-40 | 7103957 | 1 | WASHER, Hose |
| 0200-50 | 7090880 | 1 | WASHER, 5/8" Internal Tooth Lock |
| 0210 | 7501541 | 1 | ASSEMBLY, Door, 22" WBM (incl. next 4 items and 0050) |
| 0210-20 | 7103291 | 1 | DOOR, Rear Discharge |
| 0210-30 | 7103292 | 1 | HINGE, Rear Discharge Door |
| 0210-40 | 7103309 | 1 | SPRING, Torsion, Rear Door |
| 0210-50 | 7103322 | 1 | ROD, Pivot, Rear Door |
| 0220 | 7900018 | 4 | SCREW, Round Washer Head Torx Hi-Lo |
| 0230 | 7900067 | 6 | SCREW, 1/4-20 X .550 Self-Tap (Torx) |
| 0240 | 7900073 | 2 | BOLT, 1/4-20 x 1-1/2" Shoulder |
| 0260 | 722398 | 3 | NUT, 1/4-20 Hex Flange Lock |
| 0270 | 722507 | 1 | SPRING, Torsion, Side Chute |
| 0290 | 7300885BH | 1 | BRACKET, Lower Handle, LH, 22 WBM |
| 0300 | 7300915BH | 1 | BRACKET, Lower Handle, RH, 22 WBM |

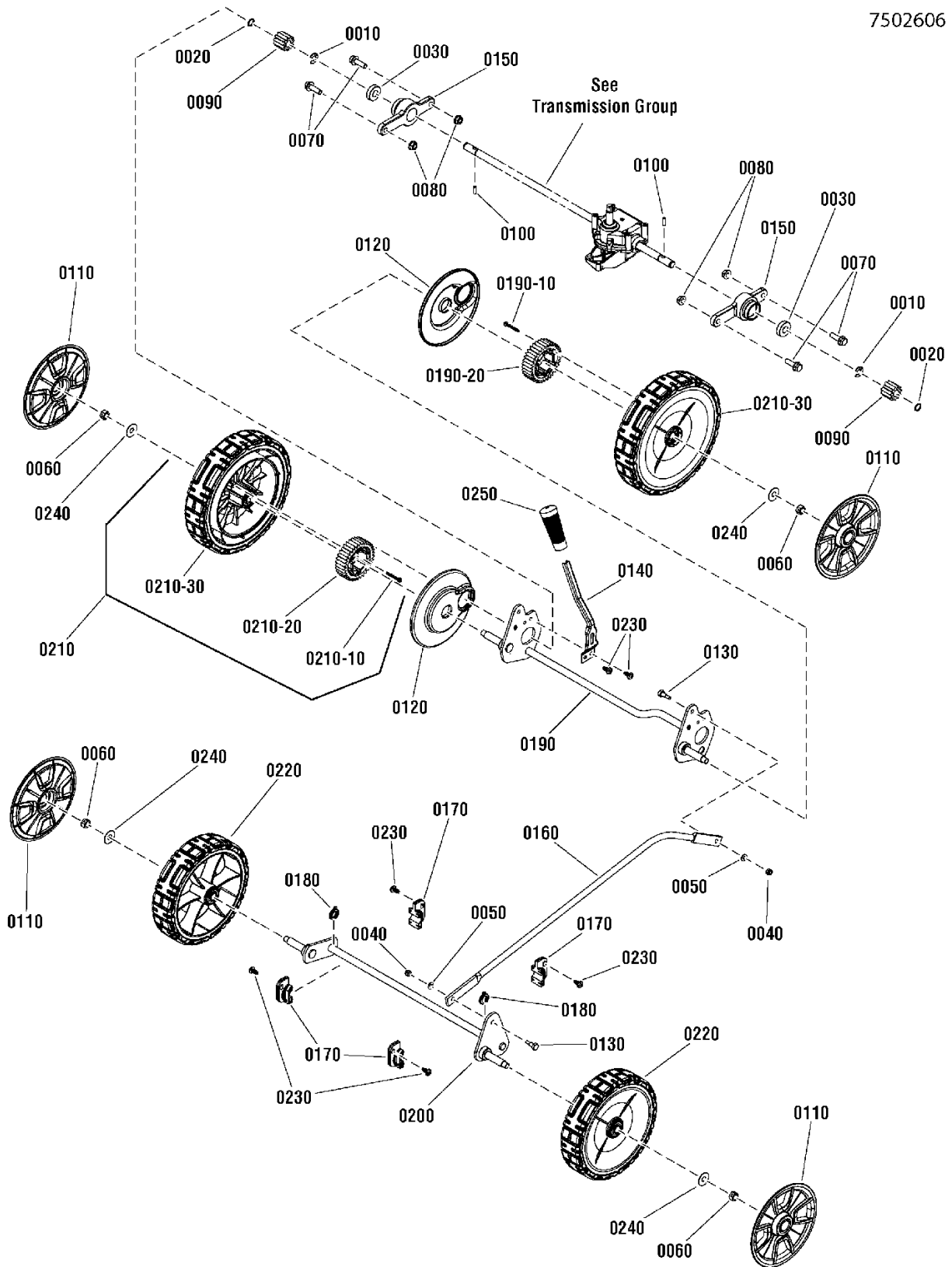
Footnotes:

Deck Group, 22" RWD ES



| Item | Part No | Qty | Description |
|---------|-----------|-----|--|
| 0010 | 722398 | 3 | NUT, 1/4-20 Hex Flange Lock |
| 0020 | 722507 | 1 | SPRING, Chute (Torsion) |
| 0030 | 725891 | 2 | NUT, 1/4-20 Hex Flange Whiz Lock |
| 0040 | 1960518 | 3 | RETAINER, 1/4" Bolt |
| 0050 | 1960593 | 3 | SPEED NUT, #10-24 Retainer w/Extrusion |
| 0060 | 7023295 | 4 | U-NUT, 1/4-20 |
| 0070 | 7090699 | 4 | BOLT, 1/4-20 x 3/4" Hex Flange Lock, GR 5 |
| 0080 | 7090803 | 5 | BOLT, 1/4-20 x 5/8" Flat Head Square Neck, GR 5 |
| 0090 | 7091020 | 3 | PUSHNUT, 1/4" |
| 0100 | 7091075 | 3 | SCREW, #10-24 x 5/8" Hex Washer Face Self-Tap, GR 5 |
| 0120 | 7101067 | 1 | ROD, Pivot |
| 0130 | 7103293 | 1 | REAR BAFFLE, Rear Wheel Drive WBM |
| 0140 | 7104819 | 1 | COVER, Belt Drive, Rear |
| 0150 | 7103295 | 1 | COVER, Nose |
| 0160 | 7103296 | 1 | FRONT SHIELD, Debris |
| 0170 | 7103298 | 1 | COVER, Mulching |
| 0180 | 7103299 | 1 | CHUTE, Side Discharge, 22" WBM |
| 0190 | 7103323 | 1 | GUARD, Rear 22" |
| 0200 | 7103453 | 1 | PLUG, Mulching, 22" Deck |
| 0210 | 7103457 | 1 | BOTTOM, Battery Box, Miniature |
| 0220 | 7103458 | 1 | TOP, Battery Box, Miniature |
| 0230 | 7301020 | 1 | BAFFLE, Front |
| 0240 | 7501541 | 1 | DOOR ASSY, 22" Walk-Behind-Mower (incl. next 5 items) |
| 0240-20 | 7103291 | 1 | DOOR, Rear Discharge |
| 0240-30 | 7103292 | 1 | DOOR HINGE, Rear Discharge |
| 0240-40 | 7103309 | 1 | SPRING, Rear Door (Torsion) |
| 0240-50 | 7103322 | 1 | ROD, Pivot, Rear Door |
| 0250 | 7900018 | 4 | SCREW, 4.8 x 1.59 x 13mm, Round Washer Head Hi-Lo (Torx) |
| 0260 | 7900067 | 6 | SCREW, 1/4-20 x .550 Pan Head Torx (T-30) |
| 0270 | 7900073 | 2 | BOLT, Drag Shield, 1/4-20 x 1-1/2" |
| 0290 | 7300855BM | 1 | BRACKET, Chute |
| 0300 | 7300885BH | 1 | BRACKET, Rear Wheel, LH, Quick Adjust |
| 0310 | 7300915BH | 1 | BRACKET, Rear Wheel, RH, Quick Adjust |
| 0320 | 7301203D | 1 | DECK, 22" RWD, ES |
| 0320-10 | 1960716 | 1 | NUT, 5/8-11 NC-2B Hex Jam |
| 0320-20 | 7103804 | 1 | ADAPTOR, Washout Port, WBM |
| 0320-30 | 7103919 | 1 | COUPLING, Hose |
| 0320-40 | 7103957 | 1 | WASHER, Hose |
| 0320-50 | 7090880 | 1 | WASHER, 5/8" Internal Tooth Lock |
| 0330-10 | 7102931 | 1 | BATTERY, 12V, 1.3 A/HR, Type G Terminals |
| 0330-20 | 7102968 | 1 | HARNESS, Battery, 1.3 A/HR |
| 0330-70 | 7103988 | 1 | CHARGER, Battery, 14V 260MA |

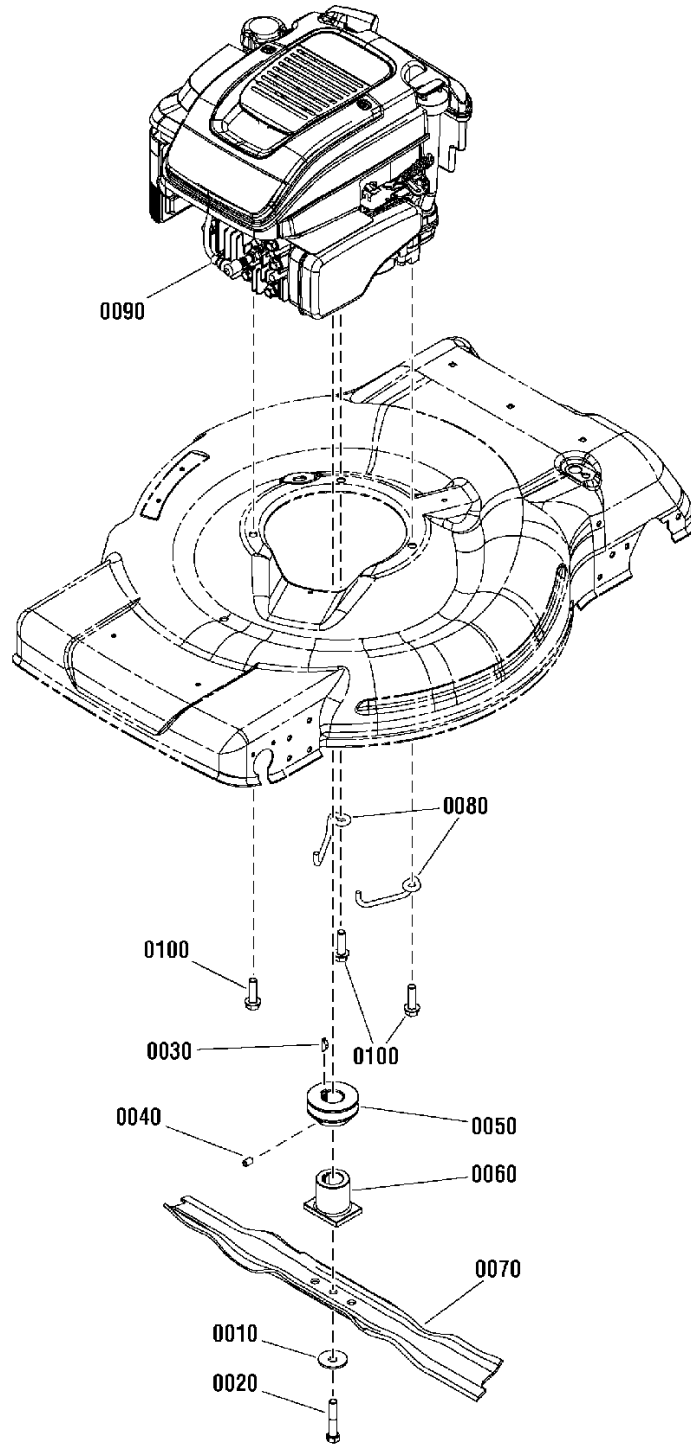
Footnotes:



| Item | Part No | Qty | Description |
|-------------|----------------|------------|--|
| 0010 | 7014341 | 2 | RETAINING RING (Waldes 5133-50 or equivalent) |
| 0020 | 7027999 | 2 | RETAINING RING (Waldes Truarc 5100-50 or equivalent) |
| 0030 | 7078243 | 2 | BALL BEARING, Axle |
| 0040 | 7091290 | 2 | NUT, #10-24 UNC-2B Nyloc |
| 0050 | 7091552 | 2 | WASHER, .219 x .500 x .049 Flat |
| 0060 | 7091585 | 4 | NUT, 3/8-16 Hex Center Lock, YZ |
| 0070 | 7091591 | 4 | BOLT, 5/16-18 x 1" Hex Flange Lock, GR 5 |
| 0080 | 7091601 | 4 | NUT, 5/16-18 Hex Flange Lock, GR 5 |
| 0090 | 7100820 | 2 | GEAR, Pinion |
| 0100 | 7100861 | 2 | PIN, Axle |
| 0110 | 7101350 | 4 | HUBCAP, 8" & 9" Spoked Wheel, Snapper Cool Gray |
| 0120 | 7101367 | 2 | SHIELD, Dust, 21" WBM, RD |
| 0130 | 7101774 | 2 | SHOULDER BOLT, #10-24 |
| 0140 | 7103289 | 1 | LEVER, Spring, Height-Of-Cut |
| 0150 | 7103290 | 2 | HOLDER, Bearing, Rear Wheel Drive |
| 0160 | 7103306D | 1 | ROD, Lifter Link, WBM |
| 0170 | 7104518 | 4 | BUSHING, Bearing, Rear Wheel Drive |
| 0180 | 7104525 | 2 | SPACER, Shaft, 1/2" |
| 0190 | 7400259 | 1 | WELDMENT, Rear Crossbar, RWD |
| 0200 | 7400306 | 1 | WELDMENT, Front Axle |
| 0210 | 7502607 | 2 | WHEEL ASSY, 9 x 2 Drive, Snapper Tread, w/Ext Gear |
| 0210-10 | 7091196 | 2 | SCREW, #8 x 1-1/4" Hi-Lo |
| 0210-20 | 7100914 | 2 | GEAR, External Wheel |
| 0210-30 | 7502542 | 2 | ASSEMBLY, 9 x 2 Tire, Rim, & Bushing #7024541 |
| 0220 | 7502544 | 2 | ASSEMBLY, 8 x 2 Tire, Rim, & Bushing #7024541 |
| 0230 | 7900067 | 6 | SCREW, 1/4-20 x .550 Pan Head Self-Tap (Torx) |
| 0240 | 722604 | 4 | WASHER, 1" OD x .387 ID, Flat |
| 0250 | 724887 | 1 | GRIP, Height-Of-Cut |

Not for
Reproduction

Footnotes:

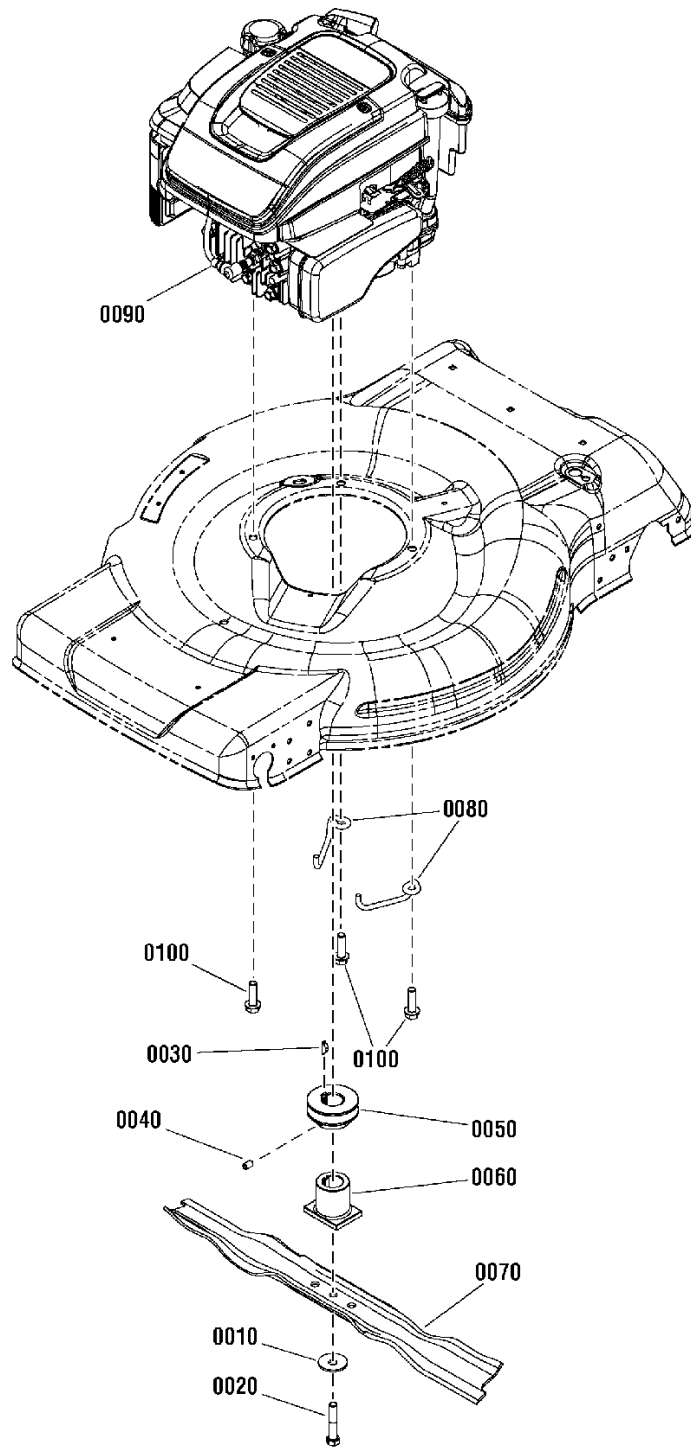


| Item | Part No | Qty | Description |
|-------------|----------------|------------|--|
| 0010 | 7012063 | 1 | WASHER, Cone 13/32 x 1-13/32" Dia. |
| 0020 | 7090167 | 1 | SCREW, 3/8-24 x 2" Hex Head Cap, GR 5 |
| 0030 | 7091214 | 1 | KEY, # HP-506 Hi-Pro |
| 0040 | 7092086 | 1 | SET SCREW, 5/16-18 x 1/2" Hex Recess |
| 0050 | 7105122 | 1 | PULLEY, PM Engine |
| 0060 | 7101414 | 1 | BLADE HUB, Rear Drive, 2 Position |
| 0070 | 7103288BZ | 1 | BLADE, 22" Wave, Steel Deck |
| 0080 | 7103517 | 2 | BELT GUIDE, Engine, RWD |
| 0090 | 128M02-2011-F1 | 1 | * ENGINE, B&S, 725 Series, X-Spec |
| 0100 | 7900072 | 3 | SCREW, 3/8-16 x 1-1/4" Hex Washer Self-Tap |

Not for
Reproduction

Footnotes:

NOTE: * Purchase engine parts from engine manufacturer dealer.



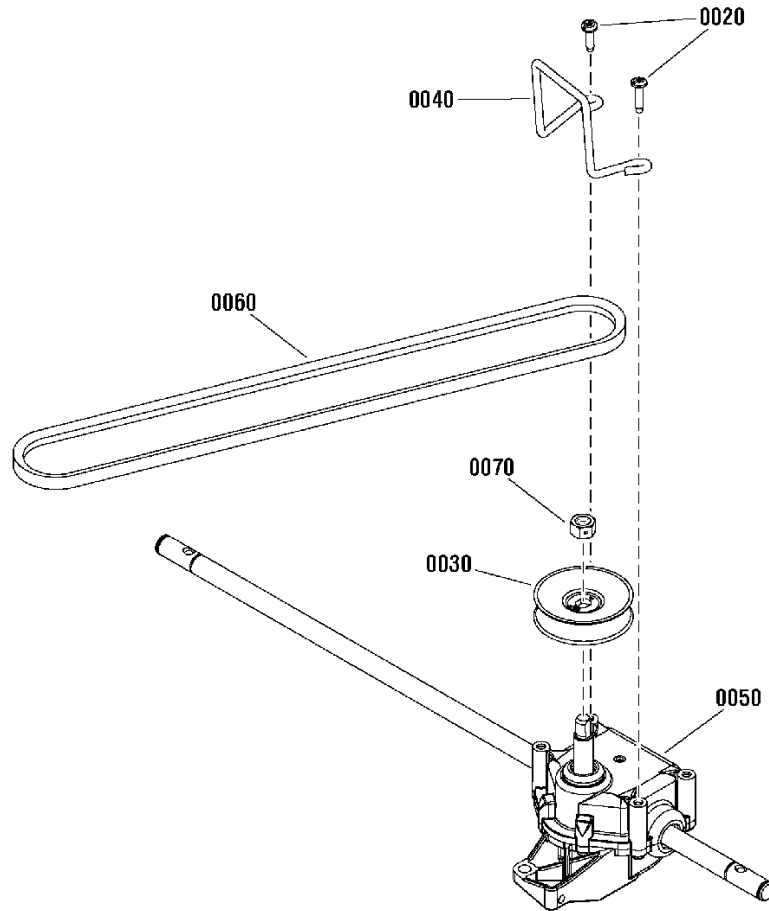
| Item | Part No | Qty | Description |
|-------------|----------------|------------|---|
| 0010 | 7012063 | 1 | WASHER, Cone 13/32 x 1-13/32" Dia. |
| 0020 | 7090167 | 1 | SCREW, 3/8-24 x 2" Hex Head Cap, GR 5 |
| 0030 | 7091214 | 1 | KEY, # HP-506 Hi-Pro |
| 0040 | 7092086 | 1 | SET SCREW, 5/16-18 x 1/2" Hex Recess |
| 0050 | 7105122 | 1 | PULLEY, PM Engine |
| 0060 | 7101414 | 1 | BLADE HUB, Rear Drive, 2 Position |
| 0070 | 7103288BZ | 1 | BLADE, 22" Wave, Steel Deck |
| 0080 | 7103517 | 2 | BELT GUIDE, Engine, RWD |
| 0090 | 128M05-0410-F1 | 1 | * ENGINE, B&S, 700 Series, ES, X-Spec, 49 State |
| 0100 | 7900072 | 3 | SCREW, 3/8-16 x 1-1/4" Hex Washer Self-Tap |

Not for
Reproduction

Footnotes:

NOTE: * Purchase engine parts from engine manufacturer dealer.

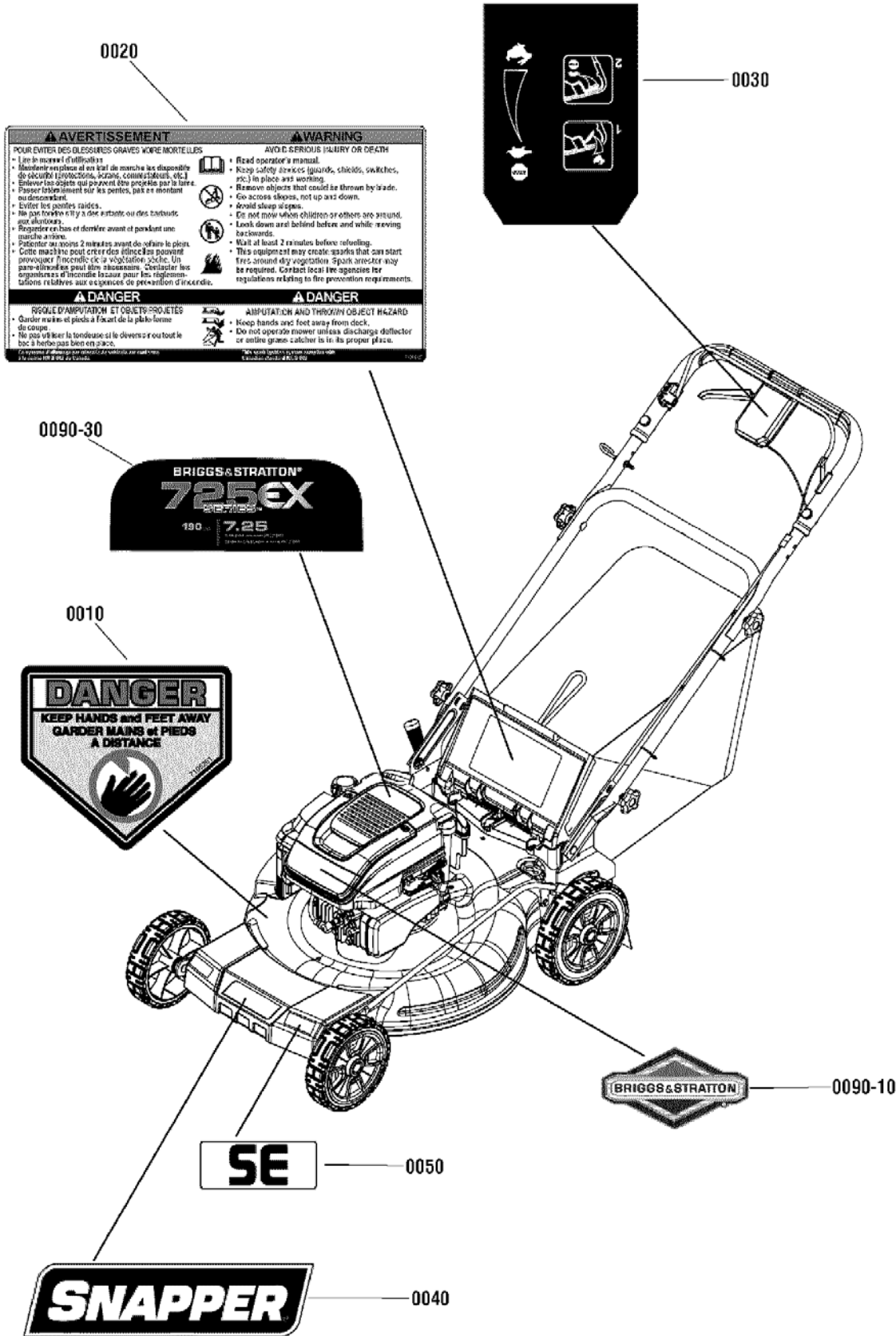
7501602



| Item | Part No | Qty | Description |
|-------------|----------------|------------|--|
| 0020 | 7091195 | 2 | SCREW, #10-16 x 3/4" Pan Head Self-Tap Combo, BZ |
| 0030 | 7100240 | 1 | PULLEY, Transmission Variable Speed, LC WBM |
| 0040 | 7100863 | 1 | BELT GUIDE, Transmission |
| 0050 | 7103312 | 1 | TRANSMISSION, Variable Speed, Rear Wheel Drive |
| 0060 | 7103364 | 1 | BELT, 3L, Traction Drive, 22" WBM, RWD (3L Section, 33.83" Effective Length) |
| 0070 | 7091585 | 1 | NUT, 3/8-16 Hex Center Lock, YZ |

Not for
Reproduction

Footnotes:



| Item | Part No | Qty | Description |
|-------------|----------------|------------|--|
| 0010 | 7105261 | 1 | DECAL, CPSC, French/English |
| 0020 | 7105217 | 1 | DECAL, Warning/Danger WB, French/English |
| 0030 | 7105307 | 1 | DECAL, Control, Variable Speed, Euro |
| 0040 | 7103963 | 1 | DECAL, Front Shroud, SNAPPER Logo |
| 0050 | 7104874 | 1 | DECAL, Front Cover "SE" |
| 0090-10 | 274040 | 1 | * LABEL, Briggs & Stratton Logo |
| 0090-30 | 7105198 | 1 | * DECAL, Engine, 725 Series |

Not for
Reproduction

Footnotes:

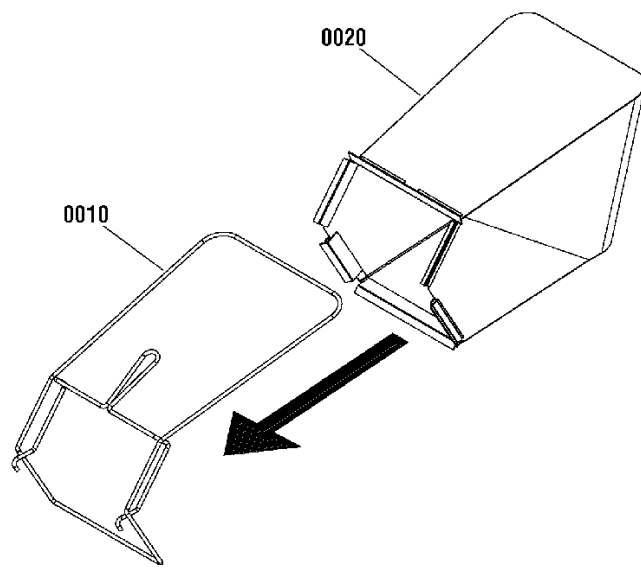
NOTE: * Purchase engine parts from engine manufacturer dealer.

| Item | Part No | Qty | Description |
|-------------|----------------|------------|--|
| 0010 | 7105261 | 1 | DECAL, CPSC, French/English |
| 0020 | 7105217 | 1 | DECAL, Warning/Danger WB, French/English |
| 0030 | 7103963 | 1 | DECAL, Front Shroud, SNAPPER Logo |
| 0040 | 7105307 | 1 | DECAL, Control, Variable Speed, Euro |
| 0050 | 7104874 | 1 | DECAL, Front Cover "SE" |
| 0060 | 7104877 | 1 | DECAL, Ignition, Run-Start |
| 0090-10 | 274040 | 1 | * LABEL, Briggs & Stratton Logo |
| 0090-30 | 7105198 | 1 | * DECAL, Engine, 725 Series |

Not for
Reproduction

Footnotes:

NOTE: * Purchase engine parts from engine manufacturer dealer.



| Item | Part No | Qty | Description |
|-------------|----------------|------------|----------------------------------|
| 0010 | 7103305 | 1 | FRAME, Grass Bag, Rear Discharge |
| 0020 | 7103375 | 1 | GRASS BAG, 22" Rear Discharge |

Not for
Reproduction

Footnotes:

Not for
Reproduction

Hardware Identification & Torque Specifications

| Torque Specification Chart | | | | | | | | |
|--|-----------|------|-----------|------|------------|------|------------|------|
| FOR STANDARD METRIC MACHINE HARDWARE (Tolerance ± 20%) | | | | | | | | |
| Property Class | 5.6 | | 8.8 | | 10.9 | | 12.9 | |
| | Class 5.6 | | Class 8.8 | | Class 10.9 | | Class 12.9 | |
| Size Of Hardware | in/lbs | | in/lbs | | in/lbs | | in/lbs | |
| | ft/lbs | Nm. | ft/lbs | Nm. | ft/lbs | Nm. | ft/lbs | Nm. |
| M3 | 5.88 | .56 | 13.44 | 1.28 | 19.2 | 1.80 | 22.92 | 2.15 |
| M4 | 13.44 | 1.28 | 30.72 | 2.90 | 43.44 | 4.10 | 52.56 | 4.95 |
| M5 | 26.4 | 2.50 | 60.96 | 5.75 | 5.97 | 8.10 | 7.15 | 9.7 |
| M6 | 44.64 | 4.3 | 7.3 | 9.9 | 10.3 | 14 | 12.1 | 16.5 |
| M7 | 5.2 | 7.1 | 12.1 | 16.5 | 16.9 | 23 | 19.9 | 27 |
| M8 | 7.7 | 10.5 | 17.7 | 24 | 25 | 34 | 29 | 40 |
| M10 | 15 | 21 | 35 | 48 | 50 | 67 | 59 | 81 |
| M12 | 26 | 36 | 61 | 83 | 86.2 | 117 | 103 | 140 |
| M14 | 42 | 58 | 101 | 132 | 136 | 185 | 162 | 220 |
| M16 | 64 | 88 | 147 | 200 | 210 | 285 | 250 | 340 |
| M18 | 89 | 121 | 202 | 275 | 287 | 390 | 346 | 470 |
| M20 | 126 | 171 | 290 | 390 | 405 | 550 | 486 | 660 |
| M22 | 169 | 230 | 390 | 530 | 559 | 745 | 656 | 890 |
| M24 | 217 | 295 | 497 | 375 | 708 | 960 | 840 | 1140 |
| M27 | 320 | 435 | 733 | 995 | 1032 | 1400 | 1239 | 1680 |
| M30 | 435 | 590 | 995 | 1350 | 1401 | 1900 | 1681 | 2280 |
| M33 | 590 | 800 | 1349 | 1830 | 1902 | 2580 | 2278 | 3090 |
| M36 | 759 | 1030 | 1740 | 2360 | 2441 | 3310 | 2935 | 3980 |
| M39 | 988 | 1340 | 2249 | 3050 | 3163 | 4290 | 3798 | 5150 |

| Torque Specification Chart | | | | | | |
|---|-------------|-------|-------------|-------|-------------|---------|
| FOR STANDARD MACHINE HARDWARE (Tolerance ± 20%) | | | | | | |
| Hardware Grade | No Marks | | SAE Grade 5 | | SAE Grade 8 | |
| | SAE Grade 2 | | SAE Grade 5 | | SAE Grade 8 | |
| Size Of Hardware | in/lbs | | in/lbs | | in/lbs | |
| | ft/lbs | Nm. | ft/lbs | Nm. | ft/lbs | Nm. |
| 8-32 | 19 | 2.1 | 30 | 3.4 | 41 | 4.6 |
| 8-36 | 20 | 2.3 | 31 | 3.5 | 43 | 4.9 |
| 10-24 | 27 | 3.1 | 43 | 4.9 | 60 | 6.8 |
| 10-32 | 31 | 3.5 | 49 | 5.5 | 68 | 7.7 |
| 1/4-20 | 66 | 7.6 | 8 | 10.9 | 12 | 16.3 |
| 1/4-28 | 76 | 8.6 | 10 | 13.6 | 14 | 19.0 |
| 5/16-18 | 11 | 15.0 | 17 | 23.1 | 25 | 34.0 |
| 5/16-24 | 12 | 16.3 | 19 | 25.8 | 29 | 34.0 |
| 3/8-16 | 20 | 27.2 | 30 | 40.8 | 45 | 61.2 |
| 3/8-24 | 23 | 31.3 | 35 | 47.6 | 50 | 68.0 |
| 7/16-14 | 30 | 40.8 | 50 | 68.0 | 70 | 95.2 |
| 7/16-20 | 35 | 47.6 | 55 | 74.8 | 80 | 108.8 |
| 1/2-13 | 50 | 68.0 | 75 | 102.0 | 110 | 149.6 |
| 1/2-20 | 55 | 74.8 | 90 | 122.4 | 120 | 163.2 |
| 9/16-12 | 65 | 88.4 | 110 | 149.6 | 150 | 204.0 |
| 9/16-18 | 75 | 102.0 | 120 | 163.2 | 170 | 231.2 |
| 5/8-11 | 90 | 122.4 | 150 | 204.0 | 220 | 299.2 |
| 5/8-18 | 100 | 136 | 180 | 244.8 | 240 | 326.4 |
| 3/4-10 | 160 | 217.6 | 260 | 353.6 | 386 | 525.0 |
| 3/4-16 | 180 | 244.8 | 300 | 408.0 | 420 | 571.2 |
| 7/8-9 | 140 | 190.4 | 400 | 544.0 | 600 | 816.0 |
| 7/8-14 | 155 | 210.8 | 440 | 598.4 | 660 | 897.6 |
| 1-8 | 220 | 299.2 | 580 | 788.8 | 900 | 1,244.0 |
| 1-12 | 240 | 326.4 | 640 | 870.4 | 1,000 | 1,360.0 |

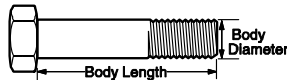
The guides and ruler furnished below are designed to help you select the appropriate hardware.



Nut, M8

Thread Diameter (mm)
Inside Diameter (in) Threads per inch

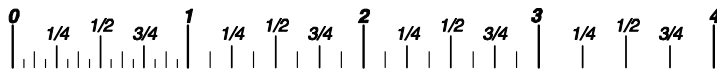
Nut, 1/2-16



Screw, M8- 1.25 x 25

Thread Diameter (mm) Distance between threads (mm) Body Length (mm)
Body Diameter Threads per inch Body Length (in)

Screw, 1/2- 16 x 2



Standard Hardware Sizing

When a washer or nut is identified as 1/2" (M8), this is the *Nominal size*, meaning the *inside diameter* is 1/2 inch (8mm metric thread diameter); if a second number is present it represents the *threads per inch* (distance between threads).

When bolt or capscrew is identified as 1/2 - 16 x 2" (M8 - 1.25 x 50), this means the *Nominal size*, or body diameter is 1/2 inch (8mm metric thread diameter), the second number, 16, represents the *threads per inch*, (1.25 thread diameter). The final number is the body length of the bolt or screw, 2 inches (50mm).

NOTES

- These torque values are to be used for all hardware excluding: locknuts, self-tapping screws, thread forming screws, sheet metal screws and socket head setscrews.
- Recommended seating torque values for locknuts:
 - for prevailing torque locknuts - use 65% of grade 5 torques.
 - for flange whizlock nuts and screws - use 135% of grade 5 torques.
- Unless otherwise noted on assembly drawings, all torque values must meet this specification.

Common Hardware Types

Hex Head Capscrew



Washer



Carriage Bolt



Lockwasher



Hex Nut



Wrench & Fastener Size Guide

| | | | | |
|----------------------------------|----------------------------------|----------------------------------|--|---------------------------------|
| 1/4" Bolt or Nut Wrench—7/16" | 5/16" Bolt or Nut Wrench—1/2" | 3/8" Bolt or Nut Wrench—9/16" | 7/16" Bolt or Nut Wrench (Bolt)—5/8" Wrench (Nut)—11/16" | 1/2" Bolt or Nut Wrench—3/4" |
| M6 Bolt or Nut Wrench—10mm | M8 Bolt or Nut Wrench—13mm | M10 Bolt or Nut Wrench—17mm | M12 Bolt or Nut Wrench—19mm | M14 Bolt or Nut Wrench—22mm |

Parts Manual for

SNAPPER®

22" STEEL DECK REAR DISCHARGE VARIABLE SPEED MOWERS

Not for
Reproduction

IT IS THE POLICY OF BRIGGS & STRATTON CORP TO IMPROVE ITS PRODUCTS WHENEVER IT IS POSSIBLE AND PRACTICAL TO DO SO. WE RESERVE THE RIGHT TO MAKE CHANGES OR ADD IMPROVEMENTS AT ANY TIME WITHOUT INCURRING ANY OBLIGATION TO MAKE SUCH CHANGES ON PRODUCTS

Briggs & Stratton Yard Power Products Group

535 Macon Road
McDonough, GA, 30253 U.S.A.
800-935-2967

www.snapper.com

Copyright © 2011 Briggs & Stratton Corporation
Milwaukee, WI USA. All Rights Reserved

Manual No. 7105334

Revision: - 12/28/2011