

63005LF▲

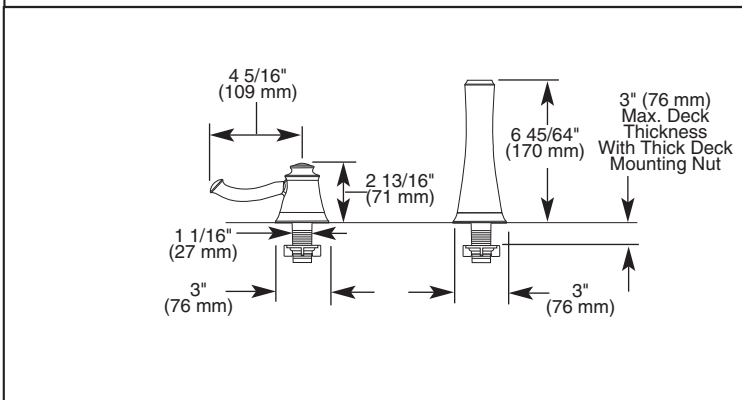
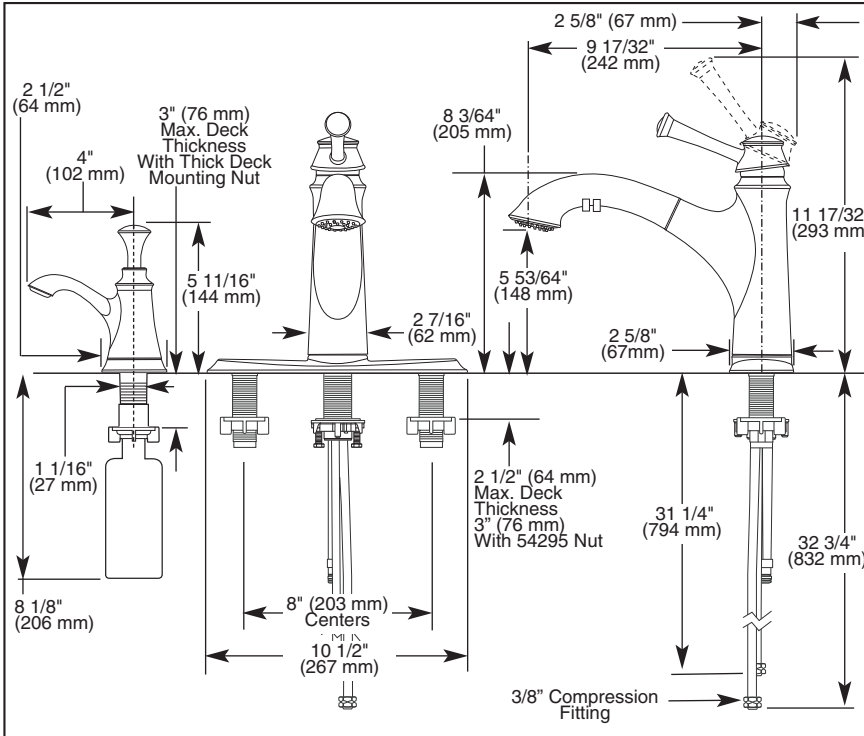


With Optional Soap Dispenser RP42878



Submitted Model No.: _____

Specific Features: _____



▲ Designate proper finish suffix

BRIZO®

KITCHEN FAUCETS

- Baliza® Pull-Out Series
- Single Handle Deck Mount
- 1,2,3 or 4 Hole Sink Applications
- Quick Snap® Hose Installation

STANDARD SPECIFICATIONS:

- Single handle kitchen faucets for exposed mounting on 1, 2, 3, or 4 hole sinks.
- Solid brass fabricated body.
- Centermount or 8" (203 mm) centers with optional included 10 13/16" (275 mm) long escutcheon.
- 8 3/64" (205 mm) high, 9 17/32" (242 mm) long spout, swings 120°.
- Spout is connected to valve body with a 59" (1524 mm) long hose that extends to 38" (965 mm) usable length.
- Pull-out spray operates in an aerated or spray mode, with volume control and pause, via easy push toggle buttons.
- Control mechanism - 32mm ceramic disc cartridge with metal stem.
- Red/blue graphics under handle button indicates hot/cold temperature.
- Quick Snap® hose installation.
- Touch-Clean® sprayhead.
- 3/8" O.D. straight, staggered pex supply tubes.
- Integral double check valves in spout.
- Mounts in standard 1 3/8" dia. holes.

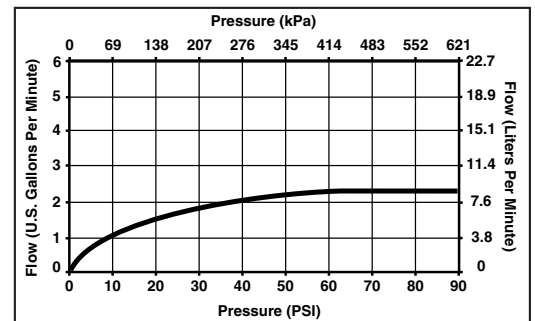
WARRANTY

- Lifetime Faucet and Finish Limited Warranty to the original consumer purchaser to be free from defects in material and workmanship.
- 5 Year Limited Warranty for usage in all industrial, commercial and business applications.



COMPLIES WITH:

- ASME A112.18.1 / CSA B125.1
- Indicates compliance to ICC/ANSI A117.1
- Verified compliant with .25% weighted average Pb content regulations.



Delta reserves the right (1) to make changes in specifications and materials, and (2) to change or discontinue models, both without notice or obligation. Dimensions are for reference only. See current full-line price book or www.brizo.com for finish options and product availability.

BSP-K-63005LF Rev. B

Delta Faucet Company
 Indianapolis, Indiana 46280
 A Division of Masco Corporation of Indiana
 © 2009 Masco Corporation of Indiana