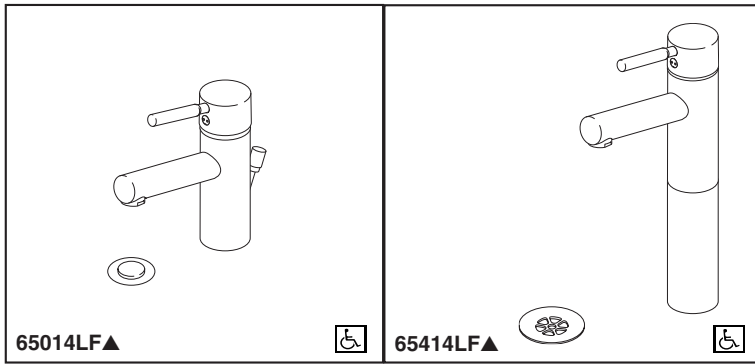


BRIZO®

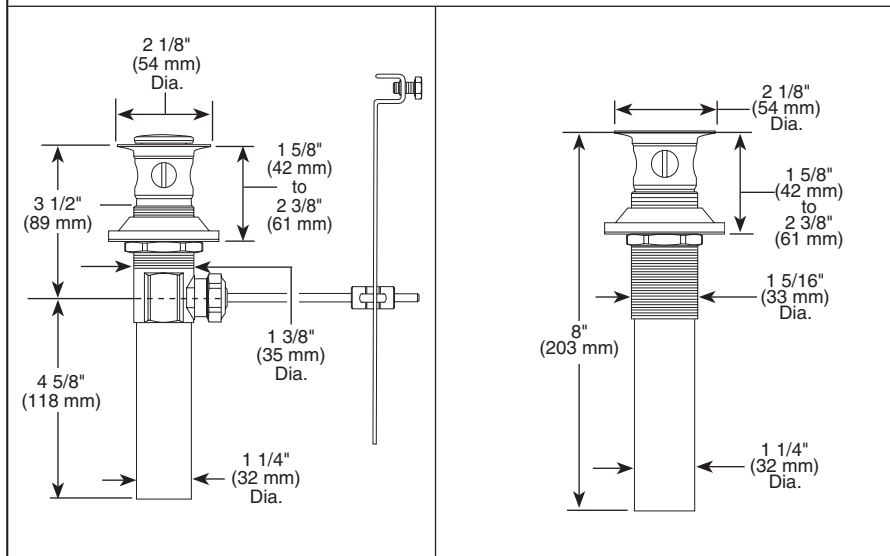
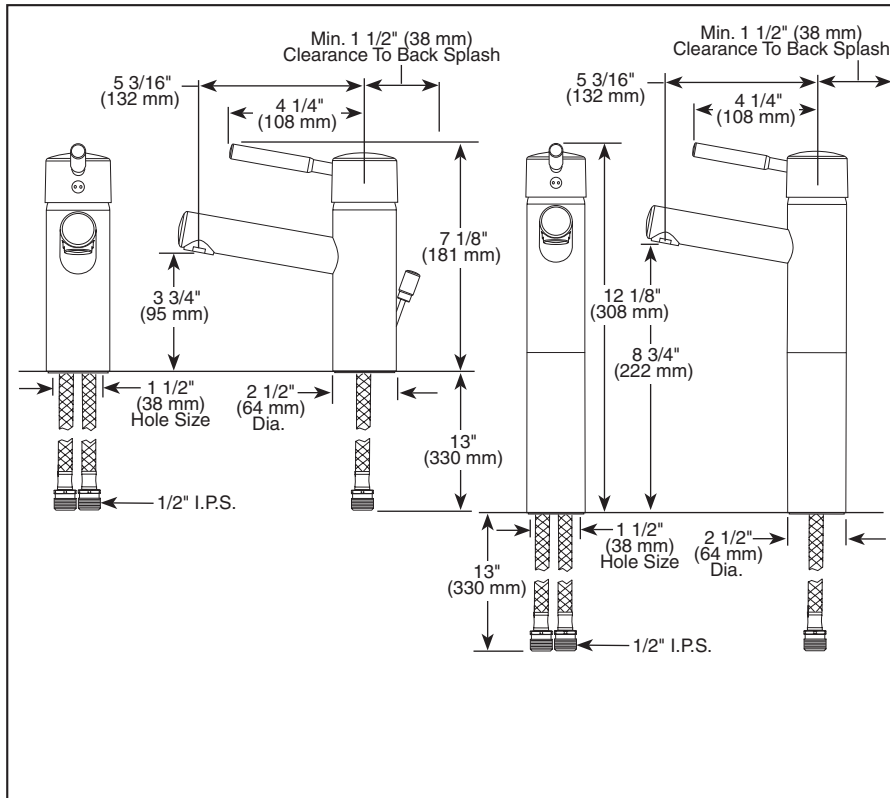
LAVATORY FAUCETS

- Quiescence® Bath Collection
- Single Handle & Vessel Deck Mount
- Single Hole Mount



Submitted Model No.: _____

Specific Features: _____



▲ Designate Proper Finish Suffix

STANDARD SPECIFICATIONS:

- Single handle lavatory faucet for concealed mounting on 1 hole applications.
- Control mechanism shall be of the rotating ceramic cartridge type.
- Recommend 1 1/2" hole size.
- Metal drain has pop-up type fitting with plated flange and stopper.
- The back edge of the faucet body must be at least 1 1/2" from the backsplash on wall in order to allow the lift rod to function properly.
- Vessel deck model includes metal grid strainer.
- Optional push button drain assembly (RP52487 or RP52488) available.
- Maximum flow rate 1.5 gpm @ 60 PSI, 5.7L @ 414Pa.

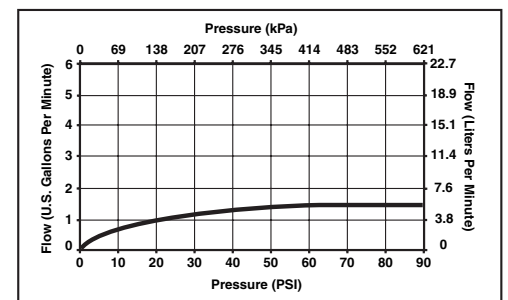
WARRANTY

- Lifetime Faucet and Finish Limited Warranty to the original consumer purchaser to be free from defects in material and workmanship.
- 5 Year Limited Warranty for usage in all industrial, commercial and business applications.



COMPLIES WITH:

- ASME A112.18.1 / CSA B125.1
- ASME A112.18.2 / CSA B125.2
- ♿ Indicates compliance to ICC/ANSI A117.1
- EPA WaterSense
- Verified compliant with .25% weighted average Pb content regulations.



Delta reserves the right (1) to make changes in specifications and materials, and (2) to change or discontinue models, both without notice or obligation. Dimensions are for reference only. See current full-line price book or www.brizo.com for finish options and product availability.

BSP-L-65014LF Rev. A

Delta Faucet Company
 55 E. 111th Street, Indianapolis, Indiana 46280
 395 Matheson Blvd. E., Mississauga, ON L4Z 2H2
 © 2009 Masco Corporation of Indiana