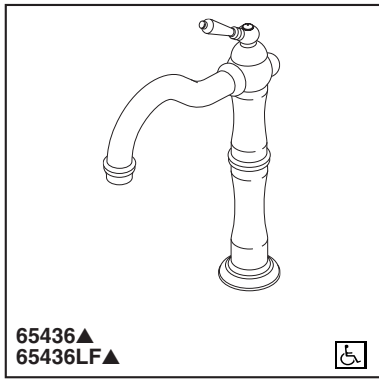


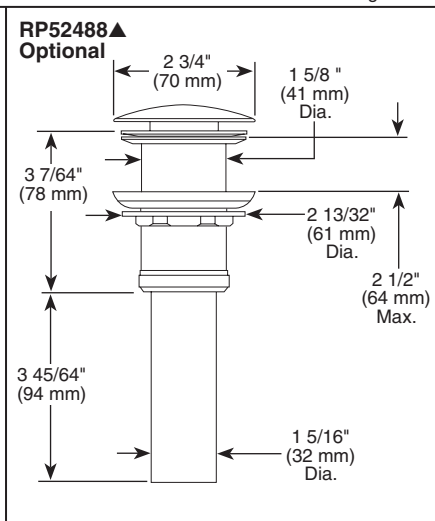
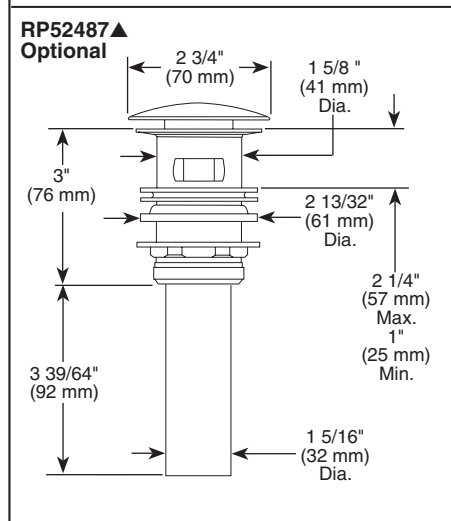
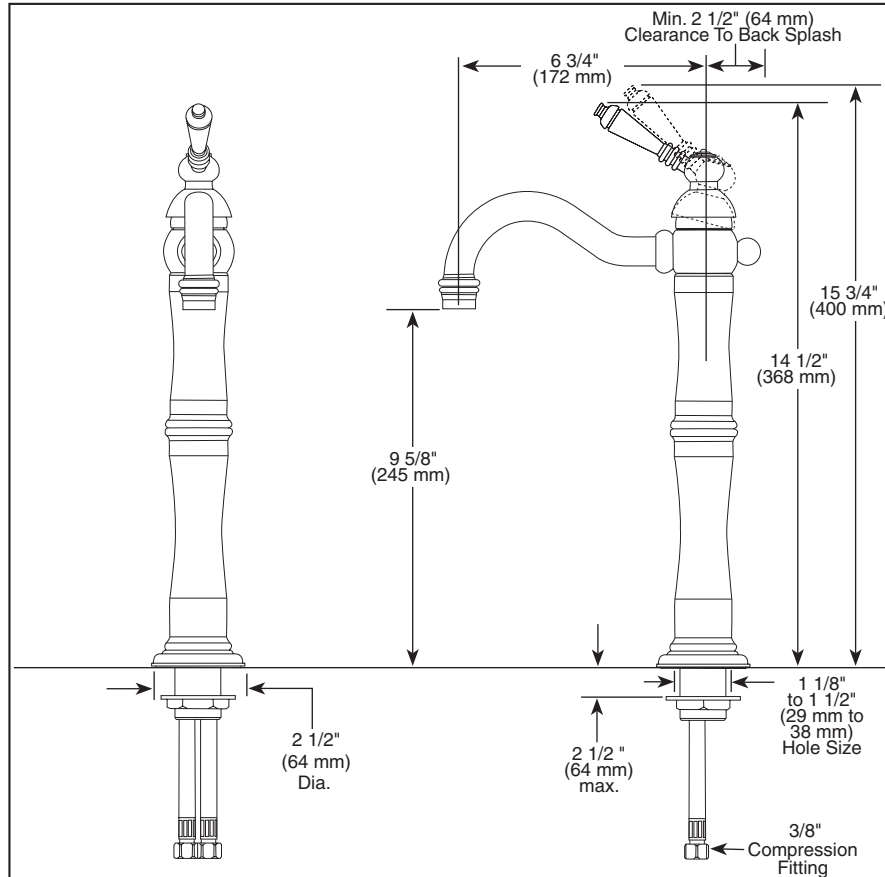
BRIZO®

LAVATORY FAUCETS

- Tresa® Bath Collection
- Single Handle Deck Mount
- Single Hole Mount



Submitted Model No.: _____
 Specific Features: _____



STANDARD SPECIFICATIONS:

- Single handle lavatory deck faucet.
- Solid brass fabricated body.
- 6 3/4" (172 mm) long spout.
- 1 1/8" minimum - 1 1/2" maximum hole size.
- 30" inlet supply tubing with standard 3/8" compression fittings.
- Optional push button drain assembly (RP52487 or RP52488) available.
- Accomodates up to 2 1/2" deck thickness.
- Maximum flow rate 1.5 gpm @ 60 PSI.
- Control mechanism - 28 mm ceramic disc cartridge with metal stem.

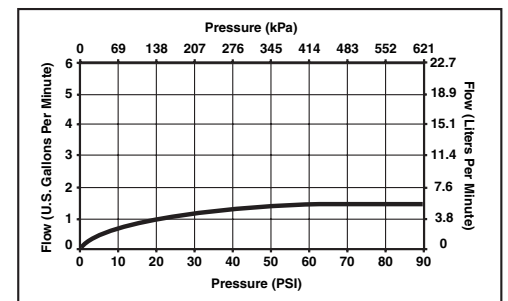
WARRANTY

- Lifetime Faucet and Finish Limited Warranty to the original consumer purchaser to be free from defects in material and workmanship.
- 5 Year Limited Warranty for usage in all industrial, commercial and business applications.



COMPLIES WITH:

- ASME A112.18.1 / CSA B125.1
- ASME A112.18.2 / CSA B125.2
- Indicates compliance to ICC/ANSI A117.1
- EPA WaterSense
- "LF" models verified compliant with .25% weighted average Pb content regulations.



▲ Designate Proper Finish Suffix

Delta reserves the right (1) to make changes in specifications and materials, and (2) to change or discontinue models, both without notice or obligation. Dimensions are for reference only. See current full-line price book or www.brizo.com for finish options and product availability.

Delta Faucet Company

55 E. 111th Street, Indianapolis, Indiana 46280
 395 Matheson Blvd. E., Mississauga, ON L4Z 2H2
 © 2009 Masco Corporation of Indiana