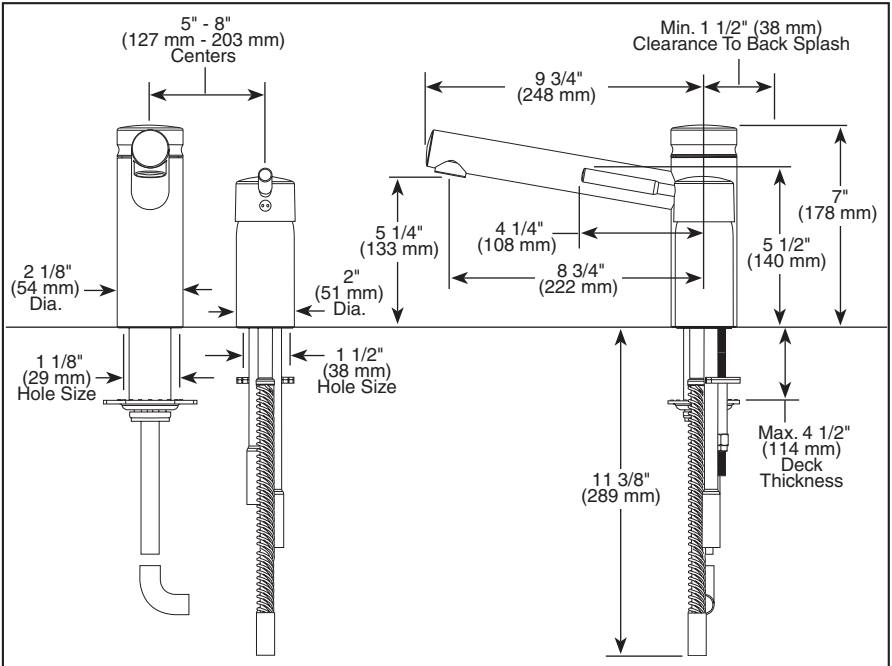
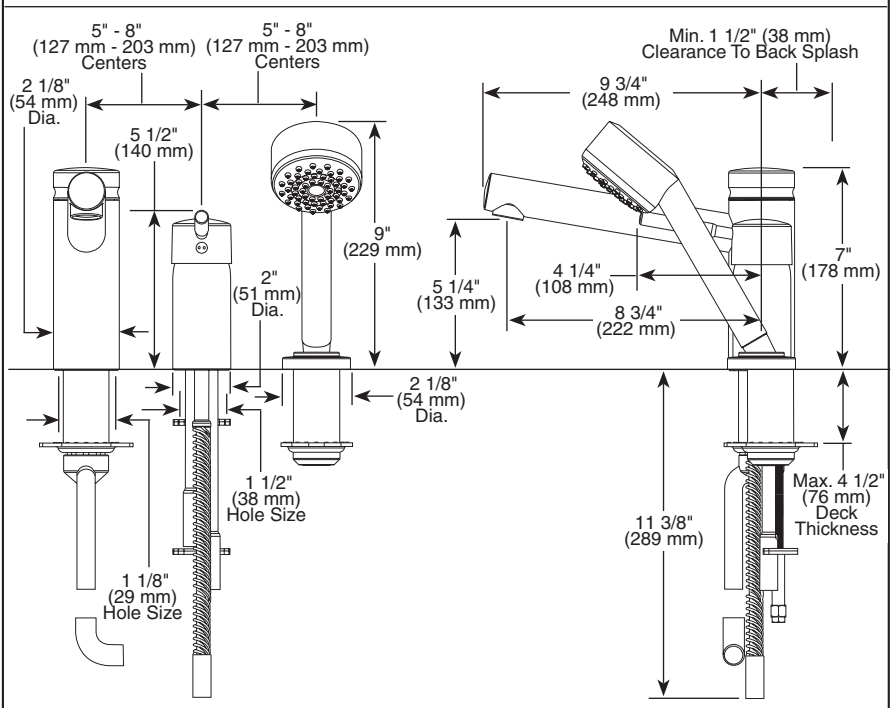


Submitted Model No.: _____
 Specific Features: _____



67114



67214

▲ Designate Proper Finish Suffix

BRIZO®

BATH VALVES

- Quiescence® Single Handle Roman Tub Valve
- Two Hole Applications (67114 Series)
- Three Hole Applications (67214 Series)
- Temperature and Volume Controlled with Single Handle
- 5" to 8" Centers
- Hand Held Retractable Shower (67214 Series)
- Flexible Ledge Mount

STANDARD SPECIFICATIONS:

- Single handle Roman Tub valve for concealed mounting on two and 3 hole applications.
- Control mechanism shall be of the rotating ceramic cartridge type.
- Temperature and volume controlled with single handle.
- Minimum 4 1/2" distance between holes.
- Spout with integral diverter, vacuum breaker not required (67214).
- Handshower flows 2.5 gpm @ 80 psi (67214).
- Minimum 4 1/2" (114 mm) to maximum 10" (254 mm) distance between holes.
- Conventional installation kit adjusts to 4 1/2" maximum deck thickness.

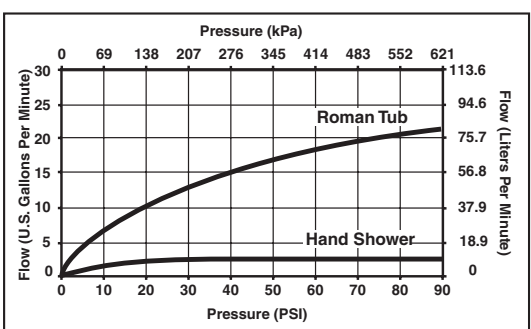
WARRANTY

- Lifetime Faucet and Finish Limited Warranty to the original consumer purchaser to be free from defects in material and workmanship.
- 5 Year Limited Warranty for usage in all industrial, commercial and business applications.



COMPLETE VALVE COMPLIES WITH:

- ASME A112.18.1 / CSA B125.1
- ☐ Indicates compliance to ICC/ANSI A117.1



Delta reserves the right (1) to make changes in specifications and materials, and (2) to change or discontinue models, both without notice or obligation. Dimensions are for reference only. See current full-line price book or www.brizo.com for finish options and product availability.
 BSP-B-67114 Rev. A