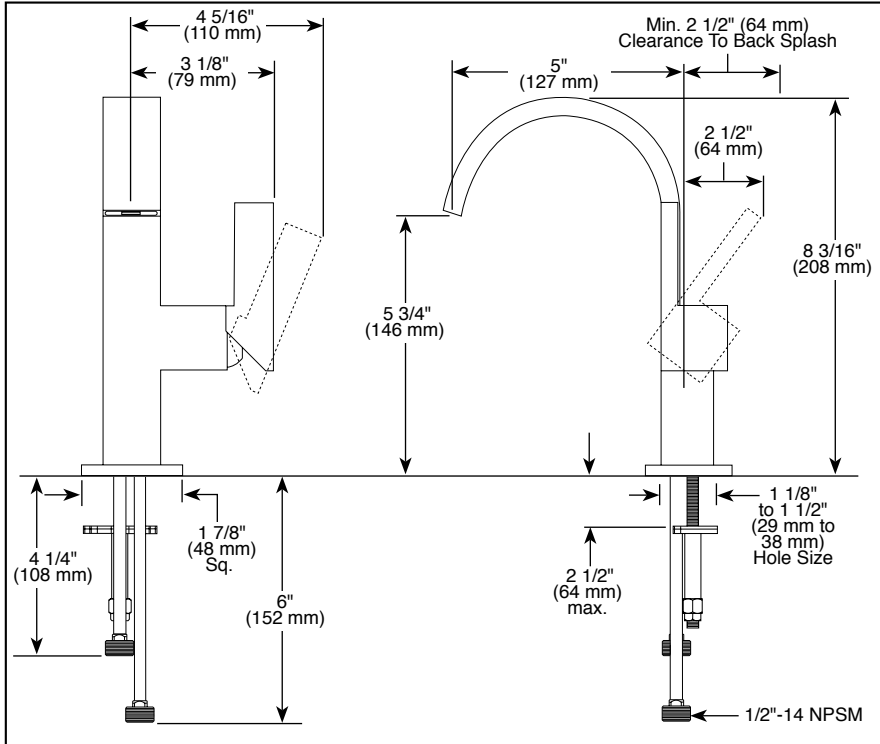


65080LF▲



Submitted Model No.: _____

Specific Features: _____



▲ Designate Proper Finish Suffix

BRIZO®

LAVATORY FAUCETS

- Siderna® Bath Collection
- Single Handle Deck Mount
- Single Hole Mount

STANDARD SPECIFICATIONS:

- Single handle lavatory deck faucet.
- Solid brass fabricated body.
- 5" (127 mm) long spout.
- 1 1/8" minimum - 1 1/2" maximum hole size.
- 1/2-14 NPSM threaded inlets.
- Accommodates up to 2 1/2" deck thickness.
- Maximum flow rate 1.5 gpm @ 60 PSI.
- Control mechanism - 28 mm ceramic disc cartridge with metal stem.
- Drain sold separately.

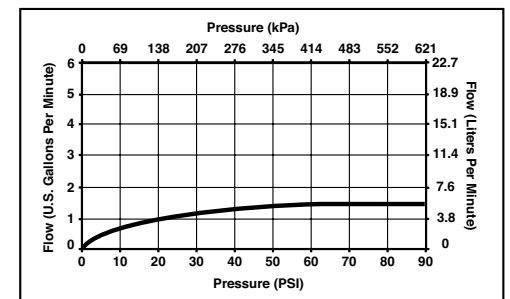
WARRANTY

- Lifetime limited warranty on parts (other than electronic parts and batteries) and finishes; or, for commercial users, for 5 years from date of purchase.
- 5 year limited warranty on electronic parts (other than batteries); or, for commercial users, for 1 year from the date of purchase. No warranty is provided on batteries.



COMPLIES WITH:

- ASME A112.18.1 / CSA B125.1
- Indicates compliance to ICC/ANSI A117.1
- EPA WaterSense®
- Verified compliant with .25% weighted average Pb content regulations.



Delta reserves the right (1) to make changes in specifications and materials, and (2) to change or discontinue models, both without notice or obligation. Dimensions are for reference only. See current full-line price book or www.brizo.com for finish options and product availability.

BSP-L-65080LF Rev. B

Delta Faucet Company

55 E. 111th Street, Indianapolis, Indiana 46280
 350 South Edgeware Road, St. Thomas, ON N5P 4L1
 © 2012 Masco Corporation of Indiana