

65875LF▲

Submitted Model No.: \_\_\_\_\_

Specific Features: \_\_\_\_\_

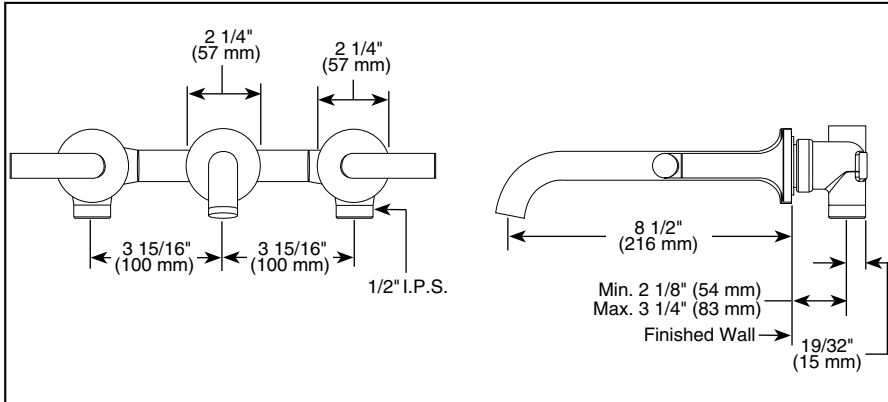
# BRIZO®

## LAVATORY FAUCETS

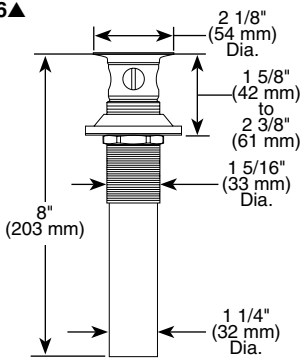
- Odin™ Bath Collection
- Two Handle Wall-Mounted Lavatory
- Three Hole Applications
- 8 1/2" Solid Metal Spout

### STANDARD SPECIFICATIONS:

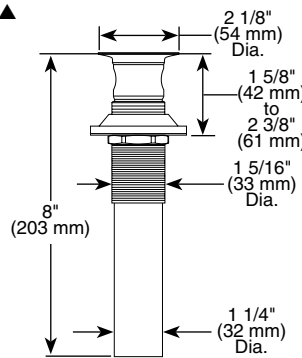
- Two handle lavatory faucet for concealed mounting in 3 hole wall applications.
- 8 1/2" solid metal spout.
- Control mechanism shall be of the rotating ceramic cylinder type with 90° (1/4 turn) rotation.
- 8" centers, 4" distance between holes.
- Recommend 1 1/2" hole size.
- Roughing in dimensions: 2 1/8" to 3 1/4". (See details at left).
- 1/2" I.P.S. inlets.
- Drain sold separately (see options below).
- Maximum flow rate 1.5 gpm @ 60 PSI.



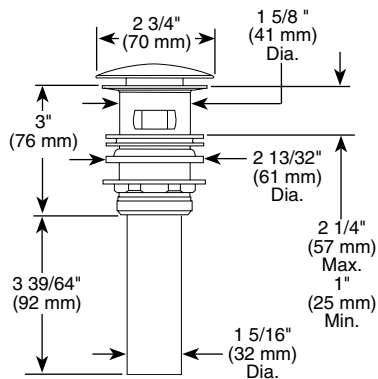
RP60466▲



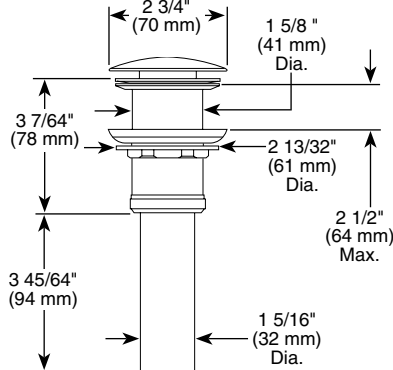
RP60467▲  
Optional



RP52487▲  
Optional

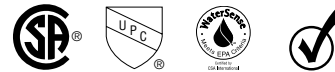


RP52488▲  
Optional



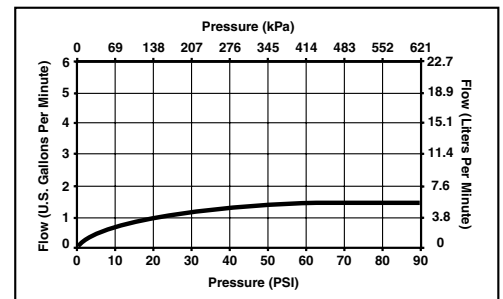
### WARRANTY

- Lifetime Faucet and Finish Limited Warranty to the original consumer purchaser to be free from defects in material and workmanship.
- 5 Year Limited Warranty for usage in all industrial, commercial and business applications.



### COMPLIES WITH:

- ASME A112.18.1 / CSA B125.1
- ASME A112.18.2 / CSA B125.2
- Indicates compliance to ICC/ANSI A117.1
- Verified compliant with .25% weighted average Pb content regulations.
- EPA WaterSense®



▲ Designate proper finish suffix

Delta reserves the right (1) to make changes in specifications and materials, and (2) to change or discontinue models, both without notice or obligation. Dimensions are for reference only. See current full-line price book or www.brizo.com for finish options and product availability.

BSP-L-65875LF Rev. A

### Delta Faucet Company

55 E. 111th Street, Indianapolis, Indiana 46280  
350 South Edgeware Road, St. Thomas, ON N5P 4L1  
© 2012 Masco Corporation of Indiana