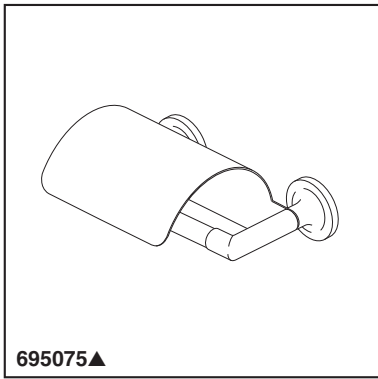


BRIZO®

ACCESSORIES

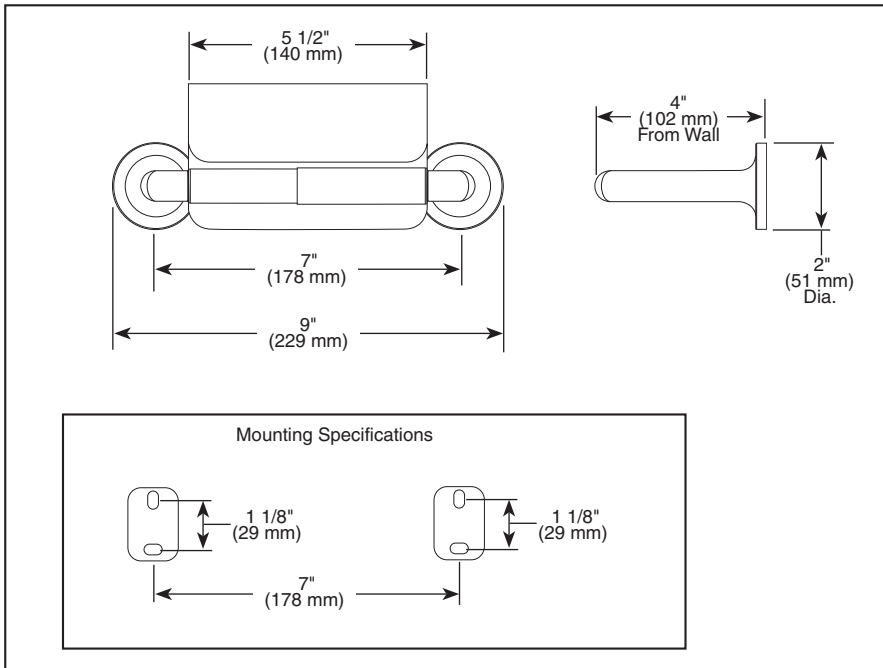
- Odin™ Bath Collection
- Covered Tissue Holder



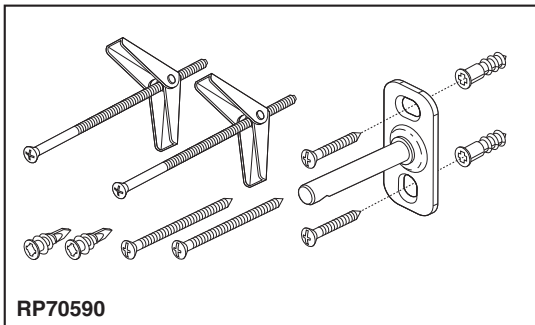
695075▲

Submitted Model No.: _____

Specific Features: _____



▲ Designate proper finish suffix



RP70590

Note: RP includes parts for 2 sides

STANDARD SPECIFICATIONS:

- Wood blocking is preferable behind all wall surfaces. If wood blocking is not available, try finding a wood stud to anchor at least one end of this accessory.
- Mounting hardware and mounting instructions included with product.
- Cover is removable.
- Note: Plastic anchors, screw, toggle bolts, and mounting brackets are included with the mounting hardware.

WARRANTY

- Lifetime Faucet and Finish Limited Warranty to the original consumer purchaser to be free from defects in material and workmanship.
- 5 Year Limited Warranty for usage in all industrial, commercial and business applications.