

## INTERNAL BLOWERS

(for use with RM60000 Series Range Hoods)

**NOTE:** These blowers are compatible with older "60000 Series" Rangemaster® Hoods. Refer to the installation instructions included with the hood, visit [www.broan.com](http://www.broan.com), or contact Technical Support.

### WARNING

**TO REDUCE THE RISK OF FIRE, ELECTRIC SHOCK, OR INJURY TO PERSON(S) OBSERVE THE FOLLOWING:**

1. Use this unit only in the manner intended by the manufacturer. If you have questions, contact the manufacturer at the address or telephone number listed in the warranty.
2. Before servicing or cleaning unit, switch power off at service panel and lock service disconnecting means to prevent power from being switched on accidentally. When the service disconnecting means cannot be locked, securely fasten a prominent warning device, such as a tag, to the service panel.
3. Installation work and electrical wiring must be done by qualified personnel in accordance with all applicable codes and standards, including fire-rated construction codes and standards.
4. Sufficient air is needed for proper combustion and exhausting of gases through the flue (chimney) of fuel burning equipment to prevent backdrafting. Follow the heating equipment manufacturer's guidelines and safety standards such as those published by the National Fire Protection Association (NFPA), and the American Society for Heating, Refrigeration and Air Conditioning Engineers (ASHRAE), and the local code authorities.
5. When cutting or drilling into wall or ceiling, do not damage electrical wiring and other hidden utilities.
6. Ducted fans must always be vented to the outdoors.
7. Do not use this range hood with any additional solid-state speed control device.
8. To reduce the risk of fire, use only steel ductwork.
9. This unit must be grounded.

**TO REDUCE THE RISK OF A RANGE TOP GREASE FIRE:**

- a) Never leave surface units unattended at high settings. Boilovers cause smoking and greasy spillovers that may ignite. Heat oils slowly on low or medium settings.
- b) Always turn hood ON when cooking at high heat or when cooking flaming foods.
- c) Clean ventilating fans frequently. Grease should not be allowed to accumulate on fan or filter.
- d) Use proper pan size. Always use cookware appropriate for the size of the surface element.

### WARNING

**TO REDUCE THE RISK OF INJURY TO PERSON(S) IN THE EVENT OF A RANGE TOP GREASE FIRE, OBSERVE THE FOLLOWING\*:**

1. SMOTHER FLAMES with a close-fitting lid, cookie sheet, or metal tray, then turn off the burner. BE CAREFUL TO PREVENT BURNS. IF THE FLAMES DO NOT GO OUT IMMEDIATELY, EVACUATE AND CALL THE FIRE DEPARTMENT.
2. NEVER PICK UP A FLAMING PAN – You may be burned.
3. DO NOT USE WATER, including wet dishcloths or towels – This could cause a violent steam explosion.
4. Use an extinguisher ONLY if:
  - A. You know you have a Class ABC extinguisher and you know how to operate it.
  - B. The fire is small and contained in the area where it started.
  - C. The fire department has been called.
  - D. You can fight the fire with your back to an exit.

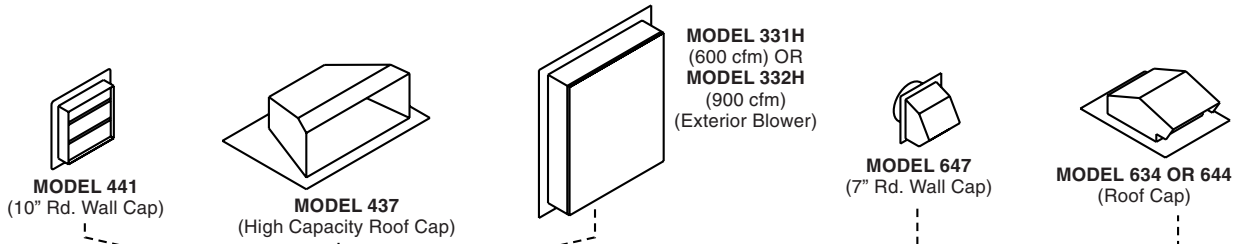
\* Based on "Kitchen Fire Safety Tips" published by NFPA.

### CAUTION

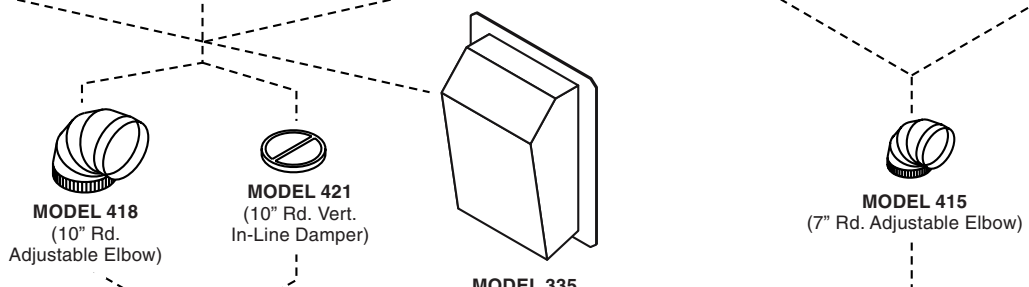
1. For general ventilating use only. Do not use to exhaust hazardous or explosive materials and vapors.
2. To avoid motor bearing damage and noisy and/or unbalanced impellers, keep drywall spray, construction dust, etc. off power unit.
3. This blower has a thermal overload which will automatically shut off the motor if it becomes overheated. The motor will restart when it cools down. If the motor continues to shut off and restart, have the hood serviced.
4. For best capture of cooking impurities, the bottom of the hood should be a minimum of 24" and a maximum of 30" above the cooking surface.
5. Please read specification label on product for further information and requirements.
6. To reduce the risk of fire and to properly exhaust air on a ducted installation, be sure to duct air outside – Do not exhaust air into spaces within walls or ceiling or into attics, crawl spaces, or garage.
7. This product is equipped with a thermostat which may start blower automatically. To reduce the risk of injury and to prevent power from being switched on accidentally, switch power off at service panel and lock or tag service panel.
8. The RM325H & RM326H Blowers must be installed with RM60000 Series Range Hoods only. Other Range Hoods cannot be substituted. (Range Hood sold separately.)

**INSTALLER:**  
**Save this manual for Electrical Inspector and Homeowner to use.**

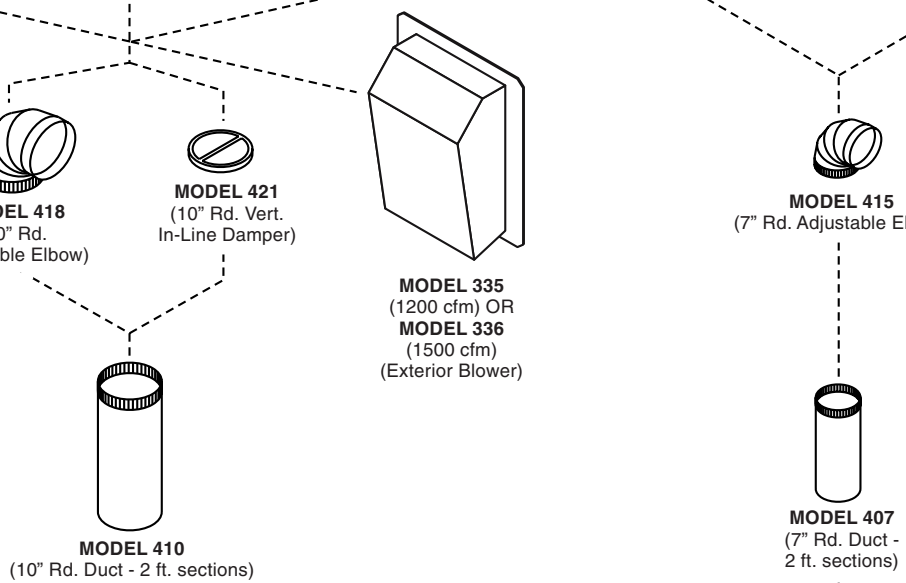
Wall & Roof Caps,  
Exterior Blowers



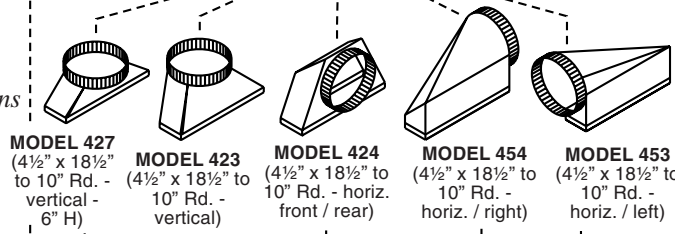
Elbows & In-Line Dampers



Ductwork

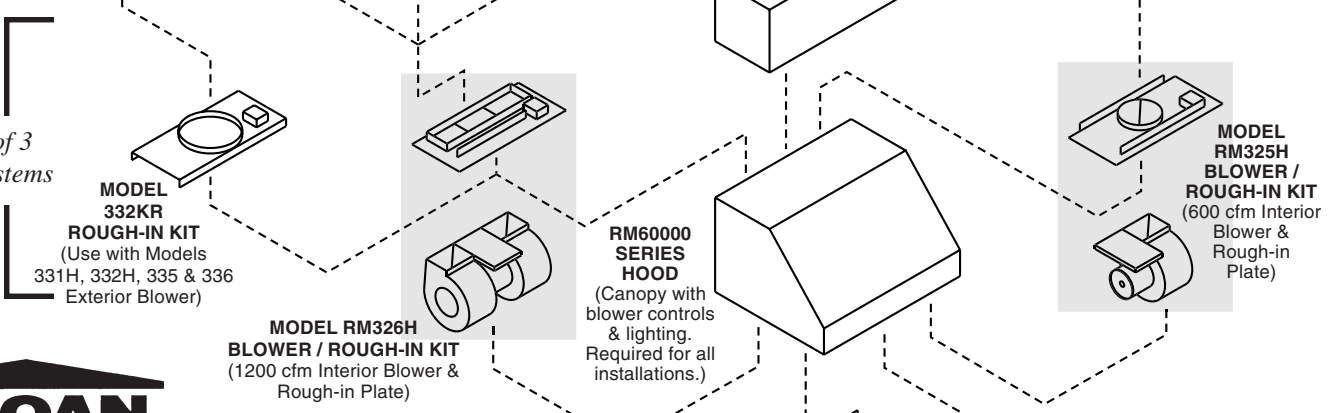


Choose 1 of 5  
Discharge Transitions



**RMN SERIES  
SOFFIT CHIMNEY**  
(Required only for  
soffit-less or  
direct horiz.  
discharge  
installations)

Choose 1 of 3  
Blower Systems



**RM60000  
SERIES  
HOOD**  
(Canopy with  
blower controls  
& lighting.  
Required for all  
installations.)

**RMP SERIES BACKSPLASH**  
(Stainless Steel wall shield with  
warming shelves. Optional)

**RBF SERIES  
BAFFLE FILTER KIT**  
(Stainless Steel. Optional)



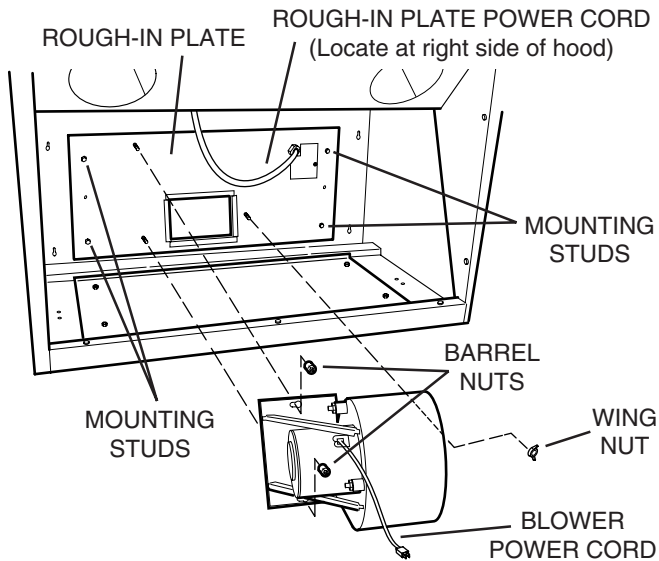
**NuTone®**

**RM60000 SERIES  
RANGE HOOD SYSTEM**

# INSTALLATION

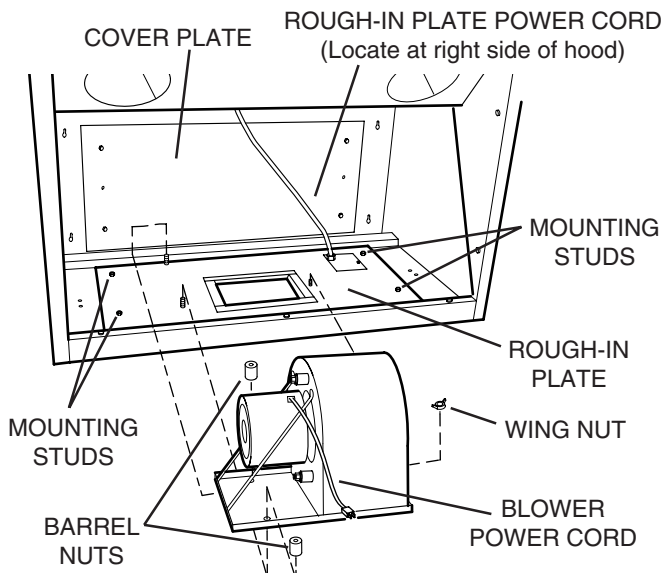
## Model RM325H Single-Wheel Blower

### VERTICAL DISCHARGE



1. Mount rough-in plate to mounting studs on inside, top of hood. Use hex nuts provided. Make sure power cord is at right side of hood.
2. Loosen barrel nuts and wing nut half-way.
3. Lift blower to rough-in plate and over barrel nuts. Slide blower sideward to engage barrel nuts with small end of keyholes and wing nut with slot.
4. Tighten nuts to secure blower to rough-in plate.
5. Plug rough-in plate power cord and blower power cord into receptacles inside of hood. **DO NOT PLUG POWER CORDS TOGETHER.**

### HORIZONTAL DISCHARGE

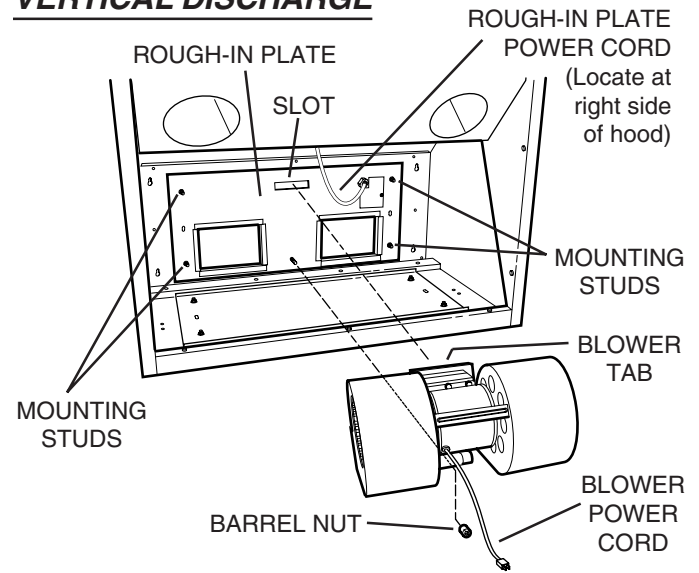


1. Remove cover plate from inside, back of hood and mount it to inside, top of hood with same hardware. Make sure power cord is at right side of hood.
2. Mount rough-in plate to mounting studs on inside, back of hood. Use hex nuts provided.
3. Loosen barrel nuts and wing nut half-way.
4. Lift blower to rough-in plate and over barrel nuts. Slide blower sideward to engage barrel nuts with small end of keyholes and wing nut with slot.
5. Tighten nuts to secure blower to rough-in plate.
6. Plug rough-in plate power cord and blower power cord into receptacles inside of hood. **DO NOT PLUG POWER CORDS TOGETHER.**

# INSTALLATION

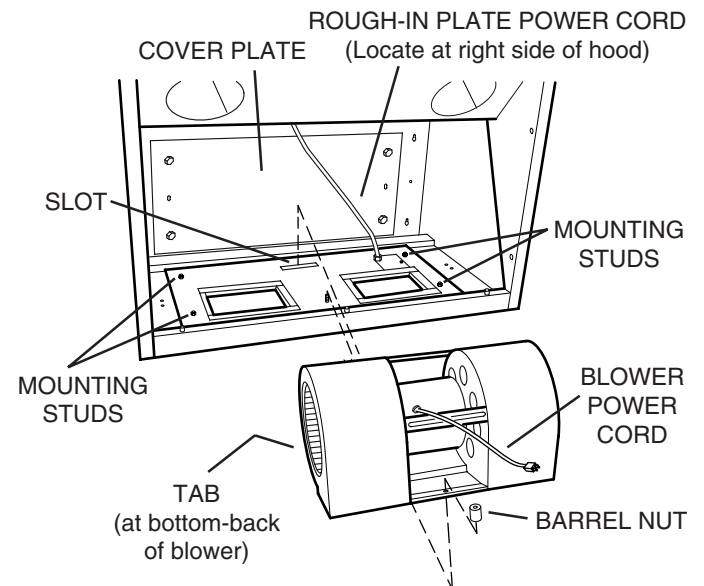
## Model RM326H Dual-Wheel Blower

### VERTICAL DISCHARGE



1. Mount rough-in plate to mounting studs on inside, top of hood. Use hex nuts provided. Make sure power cord is at right side of hood.
2. Loosen barrel nut half-way.
3. Lift blower to rough-in plate. Slide blower back to engage blower tab with slot in rough-in plate and slot in blower with barrel nut.
4. Tighten barrel nut to secure blower to rough-in plate.
5. Plug rough-in plate power cord and blower power cord into receptacles inside of hood. **DO NOT PLUG POWER CORDS TOGETHER.**

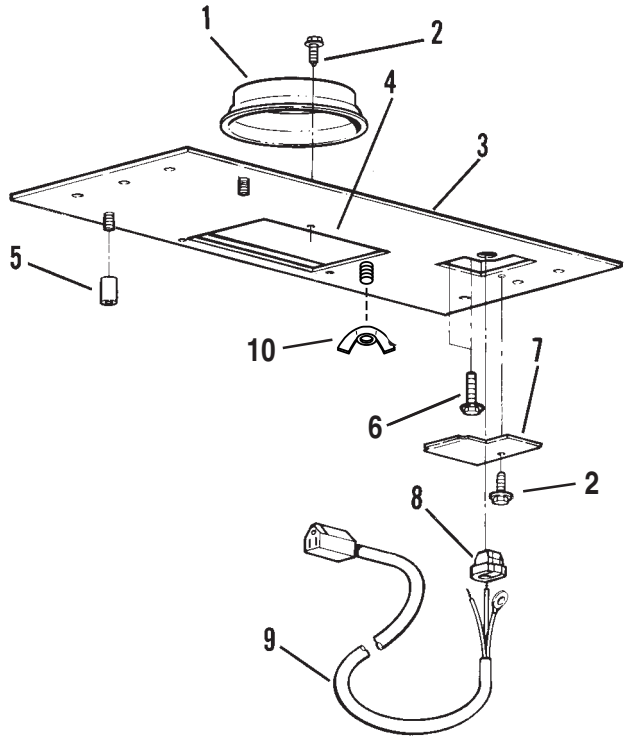
### HORIZONTAL DISCHARGE



1. Remove cover plate from inside, back of hood and mount it to inside, top of hood with same hardware. Make sure power cord is at right side of hood.
2. Mount rough-in plate to mounting studs on inside, back of hood. Use hex nuts provided.
3. Loosen barrel nut half-way.
4. Lift blower to rough-in plate. Slide blower down to engage blower tab with slot in rough-in plate and slot in blower with barrel nut.
5. Tighten barrel nut to secure blower to rough-in plate.
6. Plug rough-in plate power cord and blower power cord into receptacles inside of hood. **DO NOT PLUG POWER CORDS TOGETHER.**

# SERVICE PARTS

## Model RM325H Single-Wheel Blower / Rough-in Plate



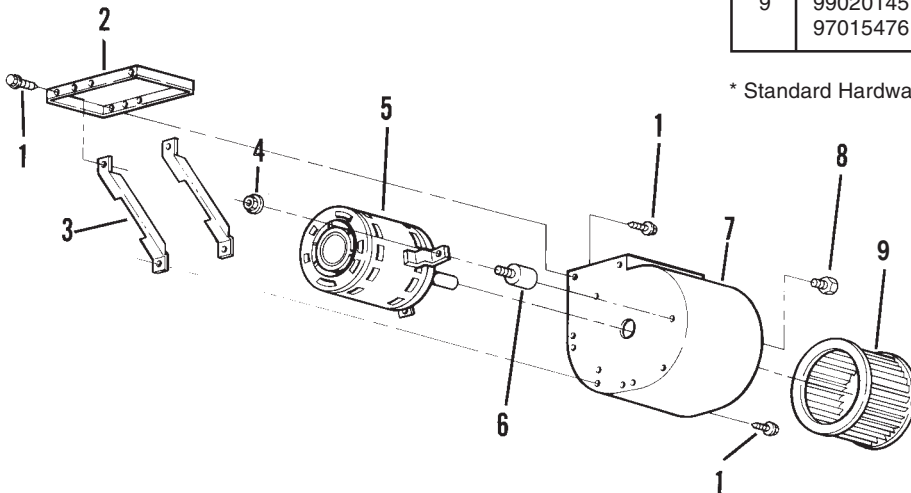
KEY NO.	PART NUMBER	DESCRIPTION	QTY.
1	97010792	Damper Assembly	1
2	99170245	Screw, #8-18 x 3/8*	4
3	97014276	Rough-in Plate Weldment	1
4	99100387	Polyfoam	
5	99380605	Barrel Nut	2
6	99150471	Screw, #10-32 x 1/2 Hex Washer Head	2
7	98003370	Outlet Box Cover	1
8	99100382	Strain Relief	1
9	99440033	Power Cord	1
10	99260472	Wing Nut	1
‡	97002302	Parts Bag (Contains (6) #10-16 x 1 1/2 Slotted Pan Head Machine Screws*)	1
	97010648	Rough-in Kit (complete)	

\* Standard Hardware. May be purchased locally.

‡ Not shown.

KEY NO.	PART NUMBER	DESCRIPTION	QTY.
1	99170245	Screw, #8-18 x 3/8 *	6
2	98003365	Mounting Plate	1
3	98008019	Blower Brace	2
4	99260477	Nut, 1/4-20 Flanged Hex *	3
5	97011214	Motor	1
6	99100484	Motor Mount	3
7	97014157	Scroll	1
8	99150536	Screw, 1/4-20 x 5/16 *	3
9	99020145	Blower Wheel	1
	97015476	Blower Assembly (complete)	

\* Standard Hardware. May be purchased locally.



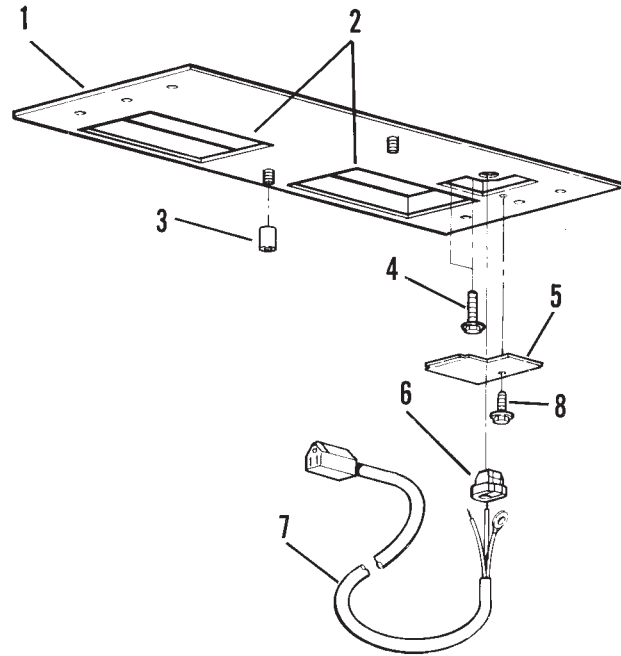
# SERVICE PARTS

## Model RM326H Dual-Wheel Blower / Rough-in Plate

KEY NO.	PART NUMBER	DESCRIPTION	QTY.
1	97014160	Rough-in Plate Weldment	1
2	99100387	Polyfoam	
3	99380605	Barrel Nut	1
4	99150471	Screw, #10-32 x 1/2 Hex Washer Hd. *	2
5	98003370	Outlet Box Cover	1
6	99100382	Strain Relief	1
7	99440033	Power Cord	1
8	99170245	Screw, #8-18 x 3/8 *	1
‡	97002302	Parts Bag (Contains (6) #10-16 x 1 1/2 Slotted Pan Head Machine Screws*)	1
	97012113	Rough-in Kit (complete)	

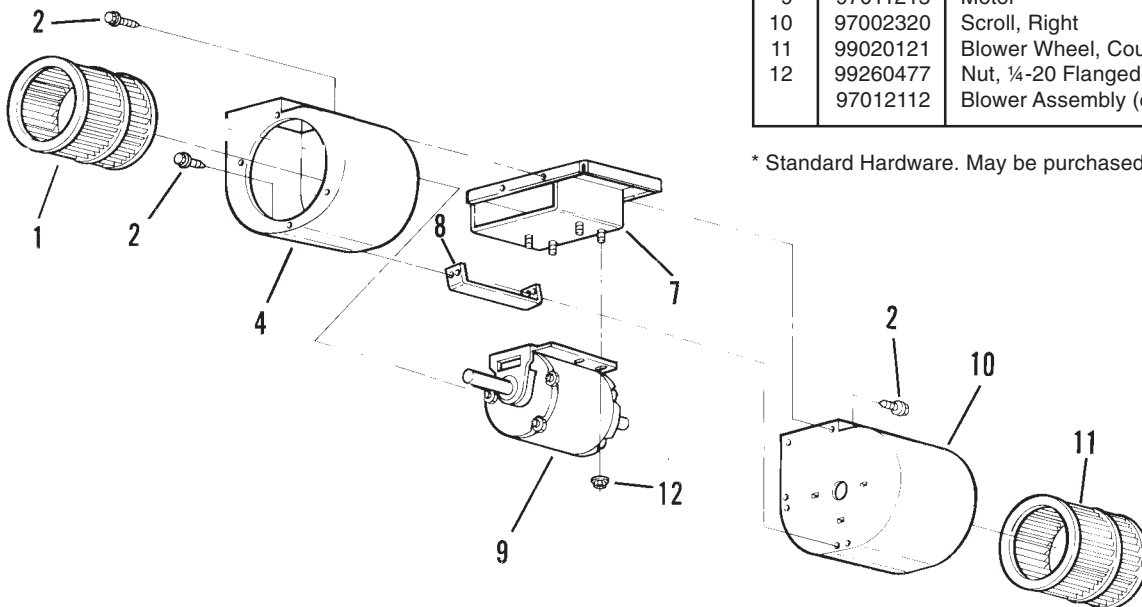
\* Standard Hardware. May be purchased locally.

‡ Not shown.



KEY NO.	PART NUMBER	DESCRIPTION	QTY.
1	99020122	Blower Wheel, Clockwise	1
2	99170245	Screw, #8-18 x 3/8 *	12
4	97002321	Scroll, Left	1
7	97014247	Motor Mount	1
8	98003366	Scroll Brace	2
9	97011215	Motor	1
10	97002320	Scroll, Right	1
11	99020121	Blower Wheel, Counterclockwise	1
12	99260477	Nut, 1/4-20 Flanged Hex *	4
	97012112	Blower Assembly (complete)	

\* Standard Hardware. May be purchased locally.



# WARRANTY

---

## **BROAN-NUTONE ONE YEAR LIMITED WARRANTY**

Broan-NuTone warrants to the original consumer purchaser of its products that such products will be free from defects in materials or workmanship for a period of one year from the date of original purchase. THERE ARE NO OTHER WARRANTIES, EXPRESS OR IMPLIED, INCLUDING, BUT NOT LIMITED TO, IMPLIED WARRANTIES OR MERCHANT ABILITY OR FITNESS FOR A PARTICULAR PURPOSE.

During this one-year period, Broan-NuTone will, at its option, repair or replace, without charge, any product or part which is found to be defective under normal use and service.

THIS WARRANTY DOES NOT EXTEND TO FLUORESCENT LAMP STARTERS, TUBES, HALOGEN AND INCANDESCENT BULBS. This warranty does not cover (a) normal maintenance and service or (b) any products or parts which have been subject to misuse, negligence, accident, improper maintenance or repair (other than by Broan-NuTone), faulty installation or installation contrary to recommended installation instructions.

The duration of any implied warranty is limited to the one-year period as specified for the express warranty. Some states do not allow limitation on how long an implied warranty lasts, so the above limitation may not apply to you.

BROAN-NUTONE'S OBLIGATION TO REPAIR OR REPLACE, AT BROAN-NUTONE'S OPTION, SHALL BE THE PURCHASER'S SOLE AND EXCLUSIVE REMEDY UNDER THIS WARRANTY. BROAN-NUTONE SHALL NOT BE LIABLE FOR INCIDENTAL, CONSEQUENTIAL OR SPECIAL DAMAGES ARISING OUT OF OR IN CONNECTION WITH PRODUCT USE OR PERFORMANCE.

Some states do not allow the exclusion or limitation of incidental or consequential damages, so the above limitation or exclusion may not apply to you.

This warranty gives you specific legal rights, and you may also have other rights, which vary from state to state. This warranty supersedes all prior warranties.

To qualify for warranty service, you must (a) notify Broan-NuTone at the address or telephone number below, (b) give the model number and part identification and (c) describe the nature of any defect in the product or part. At the time of requesting warranty service, you must present evidence of the original purchase date.

**Broan-NuTone LLC**, 926 W. State Street, Hartford, Wisconsin 53027 (1-800-637-1453)

**NuTone, Inc.**, 4820 Red Band Road, Cincinnati, OH 45227 (1-800-543-8687)

**Broan-NuTone Canada, Inc.**, 1140 Tristar Drive, Mississauga, Ontario, L5T 1H9 (1-888-882-7626)



## VENTILADORES INTERIORES

(Para usarse con las campanas de estufa serie RM60000)

NOTA: Estos sopladores son compatibles con una más vieja serie del 60000 campanas de Rangemaster®. Refiera a las instrucciones de instalación incluidas con la campana, visite [www.broan.com](http://www.broan.com), o entre en contacto con la ayuda técnica.

### ADVERTENCIA



**PARA REDUCIR EL RIESGO DE INCENDIOS, DESCARGAS ELÉCTRICAS O LESIONES PERSONALES OBSERVE LAS SIGUIENTES PRECAUCIONES:**

1. Use la unidad sólo de la manera indicada por el fabricante. Si tiene preguntas, comuníquese con el fabricante a la dirección o el número telefónico que se incluye en la garantía.
2. Antes de dar servicio o limpiar la unidad, interrumpa el suministro eléctrico en el panel de servicio y bloquee los medios de desconexión del servicio para evitar que la electricidad sea reanudada accidentalmente. Cuando no sea posible bloquear los medios de desconexión del servicio, fije firmemente en el panel de servicio un dispositivo de advertencia prominentemente visible, como por ejemplo una etiqueta.
3. Sólo personal calificado debe realizar el trabajo de instalación y el cableado eléctrico, de acuerdo con todos los códigos y normas correspondientes, inclusive los códigos y normas de construcción específicos sobre protección contra incendios.
4. Se necesita suficiente aire para que se lleve a cabo una combustión adecuada y para la descarga de los gases a través del tubo de humos (chimenea) del equipo quemador de combustible, a fin de evitar las contracorrientes. Siga los lineamientos y las normas de seguridad del fabricante del equipo de calentamiento, como aquellos publicados por la Asociación Nacional de Protección contra Incendios (National Fire Protection Association, NFPA), y la Sociedad Americana de Ingenieros en Calefacción, Refrigeración y Aire Acondicionado (American Society for Heating, Refrigeration and Air Conditioning Engineers, ASHRAE), y las autoridades de los códigos locales.
5. Al cortar o perforar a través de la pared o del cielo raso, no dañe el cableado eléctrico ni otros servicios ocultos.
6. Los ventiladores con conductos siempre se deben conectar hacia el exterior.
7. No use esta campana de estufa con ningún dispositivo adicional de estado sólido para el control de la velocidad.
8. Para reducir el riesgo de incendio, use solamente conductos de acero.
9. Esta unidad se debe conectar a tierra.

**PARA REDUCIR EL RIESGO DE INCENDIO PROVOCADO POR GRASA EN LA ESTUFA:**

- a) Nunca deje las unidades de la superficie desatendidas en ajustes altos de calor. Los alimentos en ebullición causan derrames grasos y con humo que se pueden inflamar. Caliente el aceite lentamente en ajustes de calor bajo o medio.
- b) Siempre ENCIENDA la campana cuando cocine a calor alto o cuando cocine alimentos inflamables.
- c) Limpie frecuentemente los ventiladores. No se debe permitir la acumulación de grasa en el ventilador ni en el filtro.
- d) Use una cacerola del tamaño adecuado. Siempre use utensilios de cocina apropiados para el tamaño del elemento de la superficie.

### ADVERTENCIA



**PARA REDUCIR EL RIESGO DE LESIONES PERSONALES EN EL CASO DE QUE LA GRASA DE LA ESTUFA SE INCENDIE, OBSERVE LAS SIGUIENTES PRECAUCIONES:**

1. APAGUE LAS LLAMAS con una tapa de ajuste exacto, una charola para galletas o una bandeja de metal, luego apague el quemador. TENGA CUIDADO PARA PREVENIR QUEMADURAS. SI LAS LLAMAS NO SE APAGAN INMEDIATAMENTE, EVACÚE EL ÁREA Y LLAME AL DEPARTAMENTO DE BOMBEROS.
  2. NUNCA LEVANTE UNA CACEROLA INCENDIADA, se puede quemar.
  3. NO USE AGUA ni toallas húmedas, ya que provocará una violenta explosión de vapor.
  4. Use un extintor SÓLO si:
    - A. Sabe que tiene un extintor clase ABC, y ya sabe cómo usarlo.
    - B. El incendio es pequeño y está confinado en el área en la que se inició.
    - C. Se ha llamado al departamento de bomberos.
    - D. Puede combatir el incendio con la espalda hacia una salida.
- \* Basado en "Kitchen Firesafety Tips" (Sugerencias para la seguridad contra incendios en la cocina) publicado por NFPA.

### PRECAUCIÓN



1. Sólo para uso en ventilación general. No se use para descargar materiales ni vapores peligrosos o explosivos.
2. Para evitar daños a los cojinetes del motor y rotores ruidosos y/o no equilibrados, mantenga el rocío de yeso, el polvo de la construcción, etc. alejado de la unidad de accionamiento.
3. Este ventilador tiene una protección contra sobrecargas térmicas que automáticamente apagará el motor en caso de sobrecalentamiento. El motor reanudará su funcionamiento cuando se enfríe. Si el motor continúa apagándose y encendiéndose, solicite servicio para la campana.
4. Para capturar mejor las impurezas producidas al cocinar, la parte inferior de la campana debe estar a una altura mínima de 24" y máxima de 30" sobre la superficie de cocinado.
5. Por favor lea la etiqueta de especificaciones que tiene el producto para ver información y requisitos adicionales.
6. Para reducir el riesgo de incendio, y para descargar adecuadamente el aire en una instalación con conductos, asegúrese de dirigir el aire hacia el exterior. No descargue el aire hacia espacios contenidos entre paredes o cielos rasos, ni hacia áticos, sótanos bajos ni la cochera.
7. Este producto está equipado con un termostato que puede iniciar automáticamente el funcionamiento del ventilador. Para reducir el riesgo de lesiones personales y para evitar que la electricidad sea reanudada accidentalmente, interrumpa el suministro eléctrico en el panel de servicio y bloquee o rotule este panel.
8. Los ventiladores modelos RM325H & RM326H se deben instalar solo con las campanas de estufa serie RM60000. No se pueden sustituir con otras campanas de estufa. (La campana de la estufa se vende por separado.)

### PARA LA PERSONA QUE REALIZA LA INSTALACIÓN:

**Conserve este manual que lo use el inspector eléctrico y el propietario.**

Tapas de pared y techo, ventiladores exteriores

**MODELO 441**  
(TAPA REDONDA DE PARED, DE 10")

**MODELO 437**  
(TAPA DE TECHO DE ALTA CAPACIDAD)

**MODELO 331H**  
(600 pcm) O BIEN  
**MODELO 332H**  
(900 pcm)  
(VENTILADOR EXTERIOR)

**MODELO 647**  
(TAPA REDONDA DE PARED, DE 7")

**MODELO 634 O 644**  
(TAPA DE TECHO)

Codos y reguladores de tiro en línea

**MODELO 418**  
(CODO REDONDO AJUSTABLE DE 10")

**MODELO 421**  
(REGULADOR DE TIRO EN LÍNEA VERTICAL REDONDO DE 10")

**MODELO 415** (CODO REDONDO AJUSTABLE DE 7") SISTEMA DE CONDUCTOS

**MODELO 335**  
(1200 pcm) O BIEN  
**MODELO 336**  
(1500 pcm)  
(VENTILADOR EXTERIOR)

Conductos de acero

**MODELO 410** (CONDUCTO REDONDO DE 10", SECCIONES DE 2 PIES)

**MODELO 407**  
(Conducto redondo de 7", SECCIONES DE 2 PIES)

Seleccione 1 de 5 transiciones para la descarga

**MODELO 427**  
(4½" x 18½" a vertical Rd. de 10", A = 6")

**MODELO 423**  
(4½" x 18½" a VERTICAL RD. DE 10")

**MODELO 424**  
(4½" x 18½" a horizontal rd. de 10") frente/parte posterior

**MODELO 454**  
(4½" x 18½" a horizontal rd. de 10" / derecha)

**MODELO 453**  
(4½" x 18½" a horizontal rd. de 10" / IZQUIERDA)

**CHIMENEA DE SOFITO SERIE RMN**  
(Requerida sólo para instalaciones sin soffito o INSTALACIONES DE DESCARGA HORIZONTAL DIRECTA)

Seleccione 1 de 3 sistemas para el ventilador

**MODELO 332KR**  
**JUEGO DE EMPALME**  
(Usese con los ventiladores exteriores modelos 331H, 332H, 335 Y 336)

**MODELO RM326H**  
**VENTILADOR / JUEGO DE EMPALME**  
Ventilador interior de 1200 pcm y PLACA DE EMPALME)

**CAMPANA SERIE RM60000** (SE REQUIERE CUBIERTA CON CONTROLES DEL VENTILADOR E ILUMINACIÓN EN TODAS LAS INSTALACIONES.)

**VENTILADOR JUEGO DE EMPALME MODELO RM325H**  
Ventilador interior de 600 pcm y PLACA DE EMPALME



**NuTone**

**SERIE RM60000**

**SISTEMA DE LA CAMPANA**

**PROTECTOR CONTRA SALPICADURAS SERIE RMP**  
(CUBIERTA DE ACERO INOXIDABLE PARA LA PARED, CON ESTANTES DE CALENTAMIENTO. OPCIONAL)

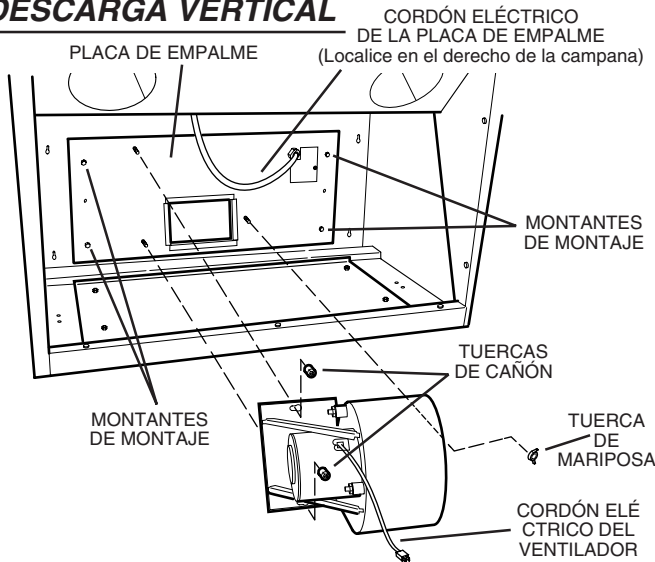
**JUEGO DE FILTRO PARA PLACA DE DESVIACIÓN SERIE RBF ACERO INOXIDABLE. OPCIONAL)**



# INSTALACIÓN

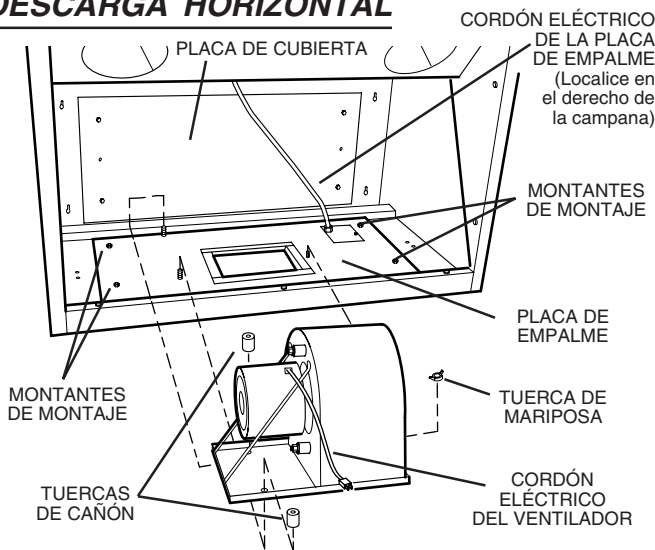
## Ventilador de rodete sencillo modelo RM325H

### DESCARGA VERTICAL



1. Monte la placa de empalme en los montantes de montaje en la parte superior interna de la campana. Use las tuercas hexagonales que se proporcionan. Se cerciora de el cable eléctrico está en el derecho de la capilla.
2. Afloje las tuercas de cañón y la tuerca de mariposa a medio.
3. Levante el ventilador a la placa de empalme y por encima de las tuercas de cañón. Resbale el ventilador lateral para engranar las tuercas de cañón con el extremo pequeño de ojo de la cerradura y tuerca de mariposa con la ranura.
4. Apriete las tuercas para asegurar el ventilador a la placa de empalme.
5. Enchufe el cordón eléctrico de la placa de empalme y el cordón eléctrico del ventilador en los receptáculos que se encuentran en el interior de la campana. **NO ENCHUFE JUNTOS LOS CORDONES ELÉCTRICOS.**

### DESCARGA HORIZONTAL

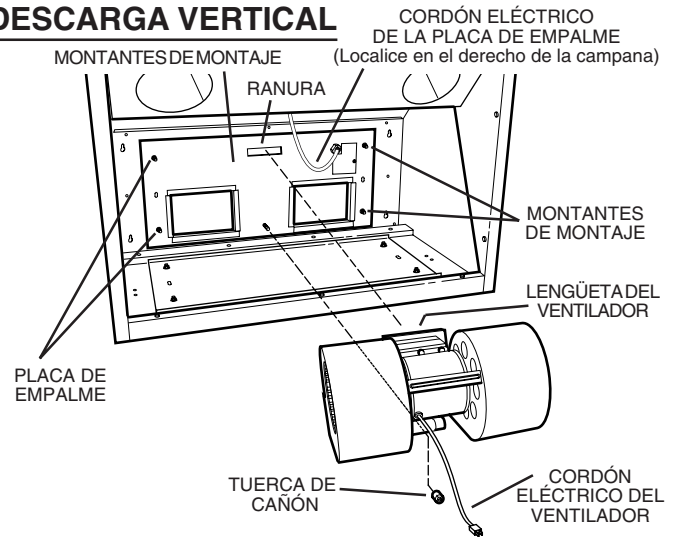


1. Quite la placa de cubierta de la parte posterior interna de la campana y móntela en la parte superior interna de la campana con el mismo herraje. Se cerciora de el cable eléctrico está en el derecho de la capilla.
2. Monte la placa de empalme en los montantes de montaje en la parte posterior interna de la campana. Use las tuercas hexagonales que se proporcionan.
3. Afloje las tuercas de cañón y la tuerca de mariposa a medio.
4. Levante el ventilador a la placa de empalme y por encima de las tuercas de cañón. Resbale el ventilador lateral para engranar las tuercas de cañón con el extremo pequeño de ojo de la cerradura y tuerca de mariposa con la ranura.
5. Apriete las tuercas para asegurar el ventilador a la placa de empalme.
6. Enchufe el cordón eléctrico de la placa de empalme y el cordón eléctrico del ventilador en los receptáculos que se encuentran en el interior de la campana. **NO ENCHUFE JUNTOS LOS CORDONES ELÉCTRICOS.**

# INSTALACIÓN

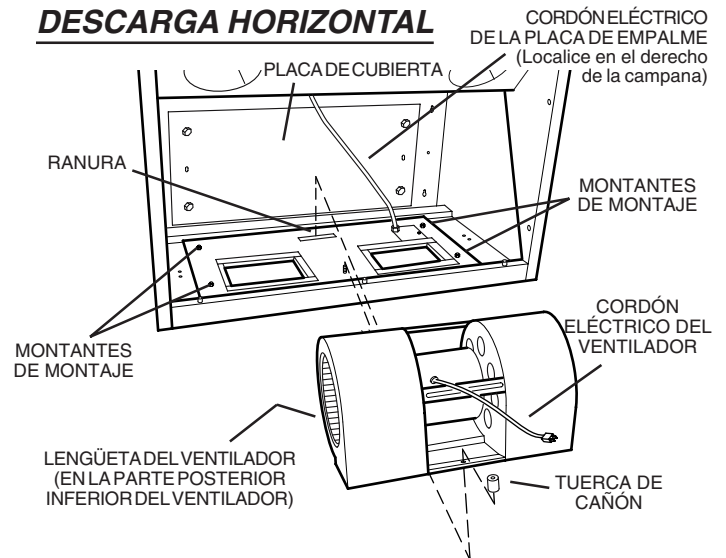
## Ventilador de doble rodete modelo RM326H

### DESCARGA VERTICAL



1. Monte la placa de empalme en los montantes de montaje en la parte superior interna de la campana. Use las tuercas hexagonales que se proporcionan. Se cerciora de el cable eléctrico está en el derecho de la capilla.
2. Afloje las tuercas de cañón y la tuerca de mariposa a medio.
3. Levante el ventilador a la placa de empalme. Resbale el ventilador hacia atrás para engranar la lengüeta del ventilador con la ranura en la placa de empalme y la ranura del ventilador con la tuerca de cañón.
4. Apriete la tuerca de cañón para asegurar el ventilador a la placa de empalme.
5. Enchufe el cordón eléctrico de la placa de empalme y el cordón eléctrico del ventilador en los receptáculos que se encuentran en el interior de la campana. **NO ENCHUFE JUNTOS LOS CORDONES ELÉCTRICOS**

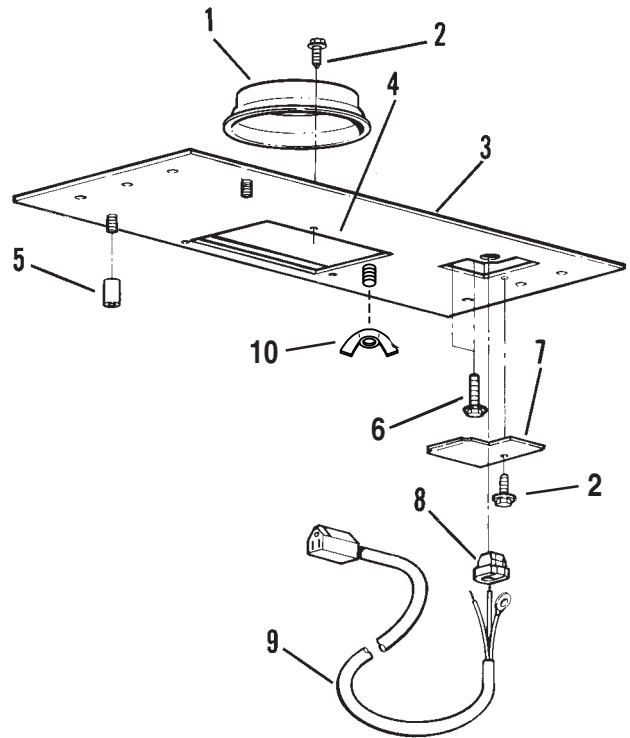
### DESCARGA HORIZONTAL



1. Quite la placa de cubierta de la parte posterior interna de la campana y móntela en la parte superior interna de la campana con el mismo herraje. Se cerciora de el cable eléctrico está en el derecho de la capilla.
2. Monte la placa de empalme en los montantes de montaje en la parte posterior interna de la campana. Use las tuercas hexagonales que se proporcionan.
3. Afloje las tuercas de cañón y la tuerca de mariposa a medio.
4. Levante el ventilador a la placa de empalme. Resbale el ventilador abajo para engranar la lengüeta del ventilador con la ranura en la placa de empalme y la ranura del ventilador con la tuerca de cañón.
5. Apriete la tuerca de cañón para asegurar el ventilador a la placa de empalme.
6. Enchufe el cordón eléctrico de la placa de empalme y el cordón eléctrico del ventilador en los receptáculos que se encuentran en el interior de la campana. **NO ENCHUFE JUNTOS LOS CORDONES ELÉCTRICOS.**

# PIEZAS DE SERVICIO

## Ventilador de rodete sencillo / Placa de empalme Modelo RM325H

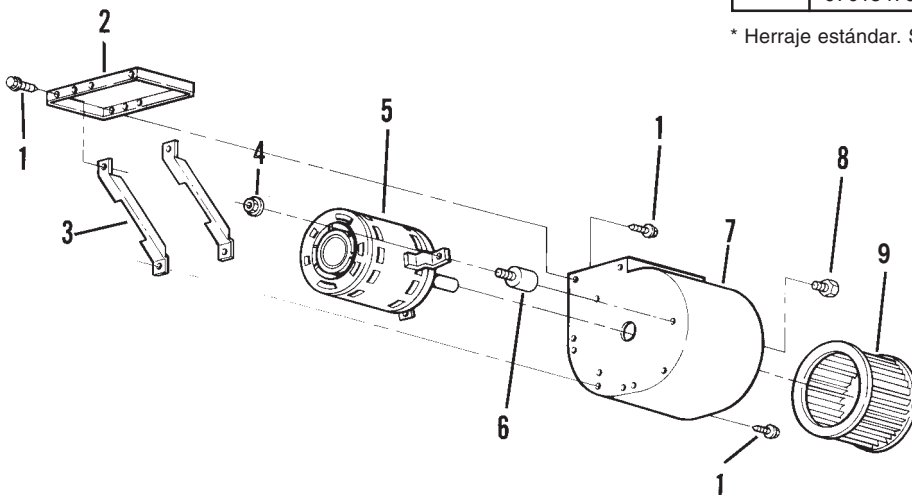


CLAVE N.º	PIEZA NÚMERO	DESCRIPCIÓN	CANT.
1	97010792	Conjunto del regulador de tiro	1
2	99170245	Tornillo, #8-18 x 3/8*	4
3	97014276	Estructura soldada de la placa de empalme	1
4	99100387	Espuma de polietileno	
5	99380605	Tuerca de cañón	2
6	99150471	Tornillo, #10-32 x 1/2 cabeza de arandela hexagonal	2
7	98003370	Cubierta de la caja de salida	1
8	99100382	Alivio de tensión	1
9	99440033	Cordón eléctrico	1
10	99260472	Tuerca de mariposa	1
‡	97002302	Bolsa de piezas (contiene (6) tornillos para metales de #10-16 x 1/2 de cabeza troncocónica ranurada*)	1
	97010648	Juego de empalme (completo)	

\* Herraje estándar. Se puede comprar en cualquier ferretería.  
‡ NO SE ILUSTRA.

CLAVE N.º	PIEZA NÚMERO	DESCRIPCIÓN	CANT.
1	99170245	Tornillo, #8-18 x 3/8 *	6
2	98003365	Placa de montaje	1
3	98008019	Abrazadera del ventilador	2
4	99260477	Tuerca, 1/4-20 hexagonal con brida *	3
5	97011214	Motor	1
6	99100484	Bancada del motor	3
7	97014157	Espiral	1
8	99150536	Tornillo, 1/4-20 x 5/16 *	3
9	99020145	Rodete del ventilador	1
	97015476	Conjunto del ventilador (completo)	

\* Herraje estándar. Se puede comprar en cualquier ferretería.

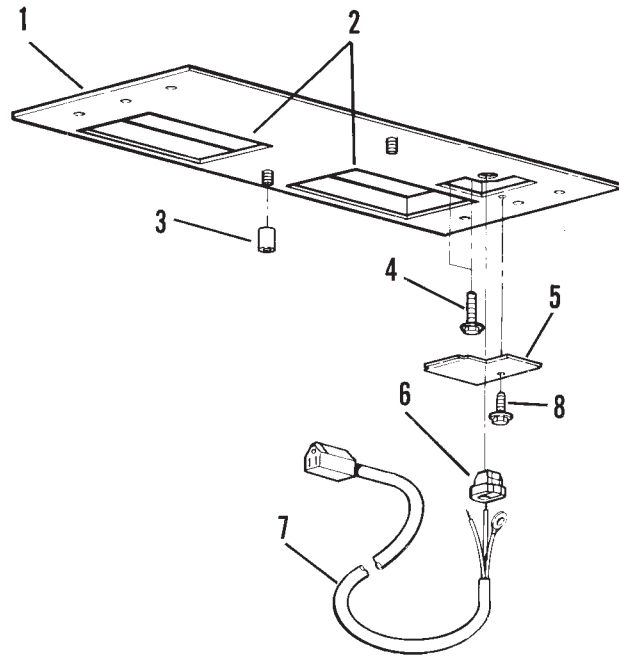


# PIEZAS DE SERVICIO

Ventilador de rodete doble / Placa de empalme  
Modelo RM326H

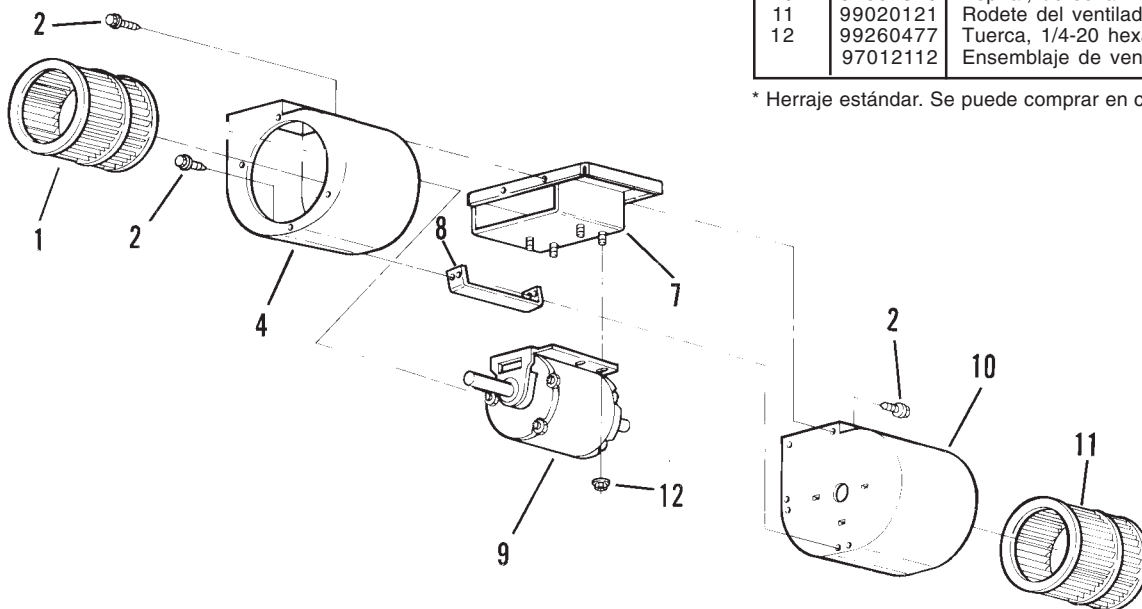
CLAVE N.º	PIEZA NÚMERO	DESCRIPCIÓN	CANT.
1	97014160	Estructura soldada de la placa de empalme	1
2	99100387	Espuma de polietileno	
3	99380605	Tuerca de cañón	1
4	99150471	Tornillo, #10-32 x ½ cabeza de arande la hexagonal *	2
5	98003370	Cubierta de la caja de salida	1
6	99100382	Alivio de tensión	1
7	99440033	Cordón eléctrico	1
8	99170245	Tornillo, #8-18 x 3/8 *	1
‡	97002302	Bolsa de piezas (contiene (6) tornillos para metales de #10-16 x 1½ de de cabeza troncocónica ranurada*)	1
	97012113	Juego de empalme (completo)	

\* Herraje estándar. Se puede comprar en cualquier ferretería.  
‡ NO SE ILUSTRAN.



CLAVE N.º	PIEZA NÚMERO	DESCRIPCIÓN	CANT.
1	99020122	Rodete del ventilador, giro a la derecha	1
2	99170245	Tornillo, #8-18 X 3/8 *	12
4	97002321	Espiral, izquierda	1
7	97014247	Bancada del motor	1
8	98003366	Abrazadera de la espiral	2
9	97011215	Motor	1
10	97002320	Espiral, derecha	1
11	99020121	Rodete del ventilador, giro a la izquierda	1
12	99260477	Tuerca, 1/4-20 hexagonal con brida *	4
	97012112	Ensamblaje de ventilador (completo)	

\* Herraje estándar. Se puede comprar en cualquier ferretería.



# GARANTÍA

---

## **GARANTIA BROAN-NUTONE LIMITADA POR UN AÑO**

Broan-NuTone garantiza al consumidor comprador original de sus productos que dichos productos carecerán de defectos en materiales o en mano de obra por un período de un año a partir de la fecha original de compra. NO EXISTEN OTRAS GARANTIAS, EXPLICITAS O IMPLICITAS, INCLUYENDO, PERO NO LIMITADAS A, GARANTIAS IMPLICITAS DE COMERCIALIZACION O APTITUD PARA UN PROPOSITO PARTICULAR.

Durante el período de un año, y a su propio criterio, Broan-NuTone reparará o reemplazará, sin costo alguno cualquier producto o pieza que se encuentre defectuosa bajo condiciones normales de servicio y uso.

**ESTA GARANTIA NO SE APLICA A TUBOS Y ARRANCADORES DE LAMPARAS**

**FLUORESCENTES.** Esta garantía no cubre (a) mantenimiento y servicio normales o (b) cualquier producto o piezas que hayan sido utilizadas de forma errónea, negligente, que hayan causado un accidente, o que hayan sido reparadas o mantenidas inapropiadamente (por otras compañías que no sean Broan-NuTone), instalación defectuosa, o instalación contraria a las instrucciones de instalación recomendadas.

La duración de cualquier garantía implícita se limita a un período de un año como se especifica en la garantía expresa. Algunos estados no permiten limitaciones en cuanto al tiempo de expiración de una garantía implícita, por lo que la limitación antes mencionada puede no aplicarse a usted.

LA OBLIGACION DE BROAN-NUTONE DE REPARAR O REEMPLAZAR, SIGUIENDO EL CRITERIO DE BROAN-NUTONE, DEBERA SER EL UNICO Y EXCLUSIVO RECURSO LEGAL DEL COMPRADOR BAJO ESTA GARANTIA. BROAN-NUTONE NO SERA RESPONSABLE POR DAÑOS INCIDENTALES, CONSIGUIENTES, O POR DAÑOS ESPECIALES QUE SURJAN A RAIZ DEL USO O DESEMPEÑO DEL PRODUCTO. Algunos estados no permiten la exclusión o limitación de daños incidentales o consiguientes, por lo que la limitación antes mencionada puede no aplicarse a usted.

Esta garantía le proporciona derechos legales específicos, y usted puede también tener otros derechos, los cuales varían de estado a estado. Esta garantía reemplaza todas las garantías anteriores.

Para calificar en la garantía de servicio, usted debe (a) notificar a Broan-NuTone al domicilio o al número de teléfono abajo, (b) dar el número del modelo y la identificación de la pieza, y (c) describir la naturaleza de cualquier defecto en el producto o pieza. En el momento de solicitar servicio cubierto por la garantía, usted debe de presentar evidencia de la fecha original de compra.

**Broan-NuTone LLC**, 926 W. State Street, Hartford, Wisconsin 53027 (1-800-637-1453)

**NuTone, Inc.**, 4820 Red Band Road, Cincinnati, OH 45227 (1-800-543-8687)

**Broan-NuTone Canada, Inc.**, 1140 Tristar Drive, Mississauga, Ontario, L5T 1H9 (1-888-882-7626)

## VENTILATEURS INTERNES

(pour utilisation avec les hottes de cuisine de série RM60000)

### AVERTISSEMENT

**AFIN DE RÉDUIRE LES RISQUES D'INCENDIE, DE CHOC ÉLECTRIQUE OU DE BLESSURES CORPORELLES, VEUILLEZ OBSERVER LES DIRECTIVES SUIVANTES :**

1. N'utilisez cet appareil que de la manière prévue par le fabricant. Si vous avez des questions, communiquez avec le fabricant à l'adresse ou au numéro de téléphone énumérés dans la garantie.
2. Avant de procéder à la réparation ou à l'entretien de l'appareil, coupez l'alimentation du panneau d'entrée d'électricité et verrouillez le dispositif de sectionnement de manière à empêcher que le courant ne soit accidentellement rétabli. S'il est impossible de verrouiller le dispositif de sectionnement, fixez solidement un système de protection bien en vue, par exemple une étiquette, au panneau d'entrée d'électricité.
3. L'installation et les branchements électriques doivent être effectués par un personnel compétent, conformément aux normes et aux codes en vigueur, y compris les normes et les codes du bâtiment relatifs à la résistance au feu.
4. Assurez un apport d'air suffisant par un conduit de cheminée pour la combustion et l'évacuation adéquates des gaz de tout appareil à combustion d'huile afin de prévenir tout refoulement des gaz, conformément aux directives du fabricant et aux consignes de sécurité publiées par des organismes tels que la National Fire Protection Association (NFPA), l'American Society for Heating, Refrigeration and Air Conditioning Engineers (ASHRAE), et les autorités locales.
5. Veillez à ne pas endommager le câblage électrique ou d'autres équipements non apparents lors de la découpe ou du perçage du mur ou du plafond.
6. Les ventilateurs canalisés doivent toujours être ventilés à l'air libre.
7. N'utilisez pas de commande de régime à semi-conducteurs conjointement avec cet appareil.
8. Pour réduire les risques d'incendie, utilisez seulement des conduits en acier.
9. Cet appareil doit être mis à la terre.

**POUR RÉDUIRE LES RISQUES D'INCENDIE CAUSÉS PAR DE LA GRAISSE SUR LE PLAN DE CUISSON :**

- a) Ne laissez jamais les éléments de surface allumés à haute température. Les débordements peuvent causer de la fumée et des écoulements de graisse inflammables. L'huile doit être chauffée graduellement à basse ou à moyenne température.
- b) Mettez toujours la hotte en fonction (ON) lors de la cuisson à haute température ou lors de la cuisson d'aliments à flamber.
- c) Nettoyez fréquemment les ailettes du ventilateur. Ne laissez pas la graisse s'accumuler sur le ventilateur ou le filtre.
- d) Utilisez des casseroles de dimension appropriée. Utilisez toujours une batterie de cuisine adaptée à la dimension des éléments de surface.

**NOTE:** Ces ventilateurs sont compatibles avec une série plus ancienne de 60000 hottes de Rangemaster®. Référez-vous aux instructions d'installation incluses avec le capot, visitez [www.broan.com](http://www.broan.com), ou entrez en contact avec l'appui technique.

### AVERTISSEMENT

**OBSERVEZ LES CONSIGNES SUIVANTES AFIN DE RÉDUIRE LES RISQUES DE BLESSURES CORPORELLES EN CAS D'INCENDIE CAUSÉ PAR DE LA GRAISSE SUR LE PLAN DE CUISSON :**

1. ÉTOUFFEZ LES FLAMMES à l'aide d'un couvercle étanche, d'une tôle à biscuits ou d'un plateau en métal puis éteignez le brûleur. FAITES ATTENTION DE NE PAS VOUS BRÛLER. SI LES FLAMMES NE S'ÉTEIGNENT PAS IMMÉDIATEMENT, QUITTEZ LES LIEUX ET APPELEZ LE SERVICE DES INCENDIES.
  2. NE SOULEVEZ JAMAIS UNE CASSEROLE EN FLAMMES — vous pourriez vous brûler.
  3. N'UTILISEZ PAS D'EAU, ni de linges ou de serviettes mouillés — une violente explosion de vapeur pourrait survenir.
  4. Utilisez un extincteur SEULEMENT si :
    - A. Vous savez qu'il est de classe ABC et vous connaissez déjà son mode de fonctionnement.
    - B. L'incendie n'est pas très important et ne se propage pas.
    - C. Vous avez déjà téléphoné au service des incendies.
    - D. Vous pouvez combattre l'incendie en faisant dos à une sortie.
- \* Conseils tirés de la publication de la NFPA « Kitchen Fire Safety Tips ».

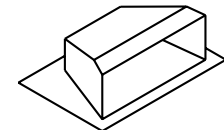
### ATTENTION

1. Cet appareil ne doit servir qu'à la ventilation générale. Il ne doit pas être utilisé pour éliminer des matières ni des vapeurs dangereuses ou explosives.
2. Pour éviter d'endommager les roulements de moteur, de déséquilibrer les pales ou de les rendre bruyantes, débarrassez l'appareil de la poussière de plâtre, de construction, etc.
3. Le moteur de ventilateur est muni d'un dispositif de protection de surcharge électrique qui le met automatiquement hors fonction en cas de surchauffe. Il se remet en marche lorsqu'il a refroidi. Faites réparer la hotte si le moteur continue à fonctionner par intermittence.
4. Pour mieux capter les vapeurs de cuisson, le bas de la hotte doit être au minimum à 61 cm (24 po) et au maximum à 76 cm (30 po) de la surface de cuisson.
5. Veuillez lire l'étiquette de spécifications du produit pour obtenir plus de renseignements, notamment sur les normes.
6. Pour réduire les risques d'incendie et obtenir une évacuation adéquate de l'air dans le cas d'une installation canalisée, acheminez les conduits jusqu'à l'air libre — n'évacuez pas l'air dans des interstices entre les murs ou le plafond, ni dans un grenier, un vide sanitaire ou un garage.
7. Ce produit est doté d'un thermostat qui peut faire démarrer automatiquement le ventilateur. Pour réduire les risques de blessures, coupez l'alimentation électrique sur le panneau d'électricité et verrouillez-le ou accrochez-y une étiquette de manière à éviter que le courant ne soit rétabli par accident.
8. Les ventilateurs RM325H et RM326H doivent être installés uniquement avec les hottes de cuisine de série RM60000. Aucune autre hotte ne peut être substituée. (Hotte vendue séparément.)

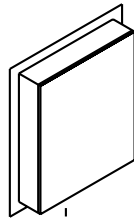
**INSTALLATEUR :**  
**Conservez ce manuel pour l'inspection électrique et le propriétaire.**

Chapeau mural et de toit, ventilateurs extérieurs

**MODÈLE 441**  
(CHAPEAU MURAL ROND  
25,4 CM / 10 PO)



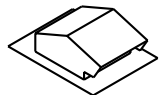
**MODÈLE 437**  
(CHAPEAU DE TOIT - GRANDE  
CAPACITÉ)



**MODÈLE 331H**  
(600 pi<sup>3</sup> / min) OU  
**MODÈLE 332H**  
(900 pi<sup>3</sup> /  
min)(VENTILATEUR  
EXTÉRIEUR)



**MODÈLE 647**  
(CHAPEAU MURAL  
ROND 17,8 CM / 7 PO)



**MODÈLE 634 OU 644**  
(CHAPEAU DE TOIT)

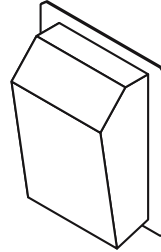
Coudes et clapets intermédiaires



**MODÈLE 418**  
(Coude réglable rond de  
25,4 cm / 10 po)



**MODÈLE 421**  
(Clapet rond de 25,4  
cm / 10 po)

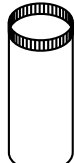


**MODÈLE 335**  
(1200 pi<sup>3</sup> / min) OU  
**MODÈLE 336**  
(1500 pi<sup>3</sup> /  
min)(VENTILATEUR  
EXTÉRIEUR)



**MODÈLE 415**  
(COUDE RÉGLABLE  
ROND DE 17,8 CM / 7 PO)

Conduit

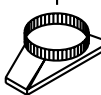


**MODÈLE 410**  
(CONDUIT ROND 25,4 CM / 10 PO  
- SECTIONS 60 CM / 2 PI)

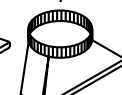


**MODÈLE 407**  
(CONDUIT ROND 17,8 CM / 7 PO  
- SECTIONS 60 CM / 2 PI)

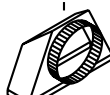
Choisir 1 des 5 conduits de transition



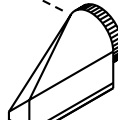
**MODÈLE 427**  
(11,4 cm x 47 cm / 4 1/2"  
x 18 1/2"  
à 25,4 cm / 10 po rond -  
vertical - 15 cm / 6 po H)



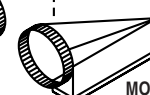
**MODÈLE 423**  
(11,4 cm x 47 cm  
/ 4 1/2" x 18 1/2"  
à 25,4 cm / 10 po  
rond - vertical)



**MODÈLE 424**  
(11,4 cm x 47 cm  
/ 4 1/2" x 18 1/2"  
à 25,4 cm / 10 po  
rond - HORIZONTAL  
AV./AR.)



**MODÈLE 454**  
(11,4 cm x 47 cm / 4 1/2"  
x 18 1/2"  
à 25,4 cm / 10 po rond  
horiz./ droit)



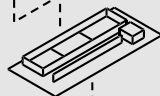
**MODÈLE 453**  
(11,4 CM X 47 CM / 4  
1/2" X 18 1/2"  
À 25,4 CM / 10 PO  
ROND - HORIZONTAL  
/ GAUCHE)

**PAREMENT DE  
CHEMINÉE SÉRIE RMN**  
(SEULEMENT POUR LES  
INSTALLATIONS À  
SORTIE HORIZ. OU SANS  
SOFFITE)

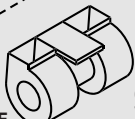
Choisir 1 des 3 systèmes de ventilateur



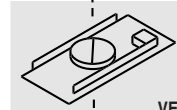
**MODÈLE 332KR**  
**PLAQUE DE JONCTION**  
(À UTILISER AVEC  
MODÈLES 331H, 332H, 335  
ET 336 DE VENTILATEURS  
EXTÉRIEURS)



**MODÈLE RM326H**  
**VENTILATEUR / PLAQUE DE  
JONCTION**  
(VENTILATEUR INTÉRIEUR DE  
1200 PI<sup>3</sup>/MIN ET PLAQUE DE  
JONCTION)



**HOTTE DE SÉRIE  
RM60000**  
(HOTTE AVEC  
COMMANDES DE LA  
VENTILATION ET DE  
L'ÉCLAIRAGE.  
REQUIS POUR  
TOUTES LES  
INSTALLATIONS.)

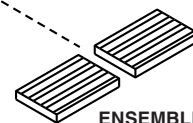
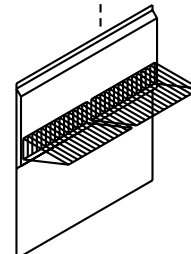


**MODÈLE  
RM325H**  
**VENTILATEUR /  
PLAQUE DE  
JONCTION**  
(VENTILATEUR  
INTÉRIEUR DE  
600 PI<sup>3</sup>/MIN ET  
PLAQUE DE  
JONCTION)



**SÉRIE RM60000**  
**SYSTÈME DE HOTTE**

**DOSSERET DE SÉRIE RMP**  
(DOSSERET D'ACIER INOXYDABLE  
AVEC ÉTAGÈRE CHAUFFE-PLAT.  
FACULTATIF)



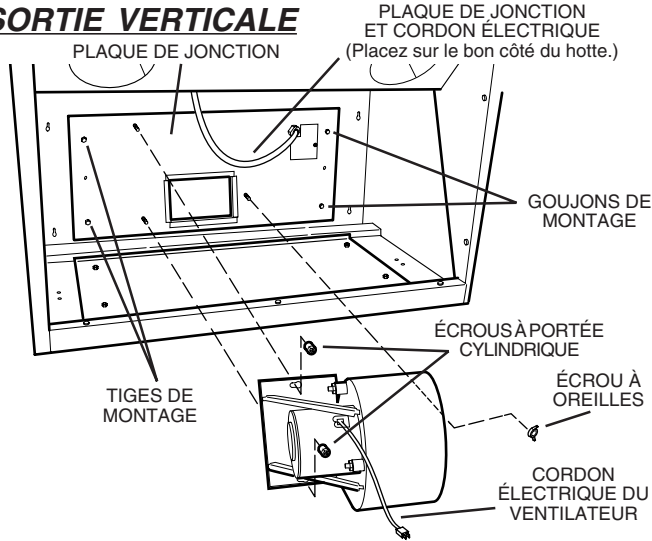
**ENSEMBLE DE FILTRES  
DE SÉRIE RBF**  
(ACIER INOXYDABLE FACULTATIF)



# INSTALLATION

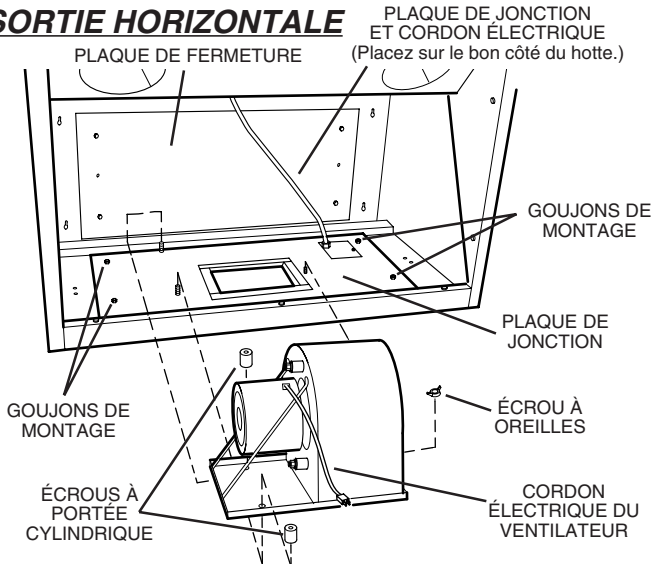
## Ventilateur à roue simple modèle RM325H

### SORTIE VERTICALE



1. Posez la plaque de jonction sur les goujons de montage à l'intérieur de la hotte, en haut. Utilisez les écrous hexagonaux inclus. S'assurent le cordon de secteur est sur le bon côté du hotte.
2. Détachez les écrous à portée cylindrique et écrou à oreilles à mi-chemin.
3. Soulevez le ventilateur au plaque de jonction et au-dessus les écrous à portée cylindrique. Glissez le ventilateur au côté pour engager les écrous à portée cylindrique avec la petite extrémité des trous de la serrure et écrou à oreilles avec encoche.
4. Serrez les écrous pour fixer le ventilateur au plaque de jonction.
5. Branchez le cordon électrique de la plaque de jonction et du ventilateur dans les prises à l'intérieur de la hotte. **NE BRANCHEZ PAS LES CORDONS ENSEMBLE.**

### SORTIE HORIZONTALE

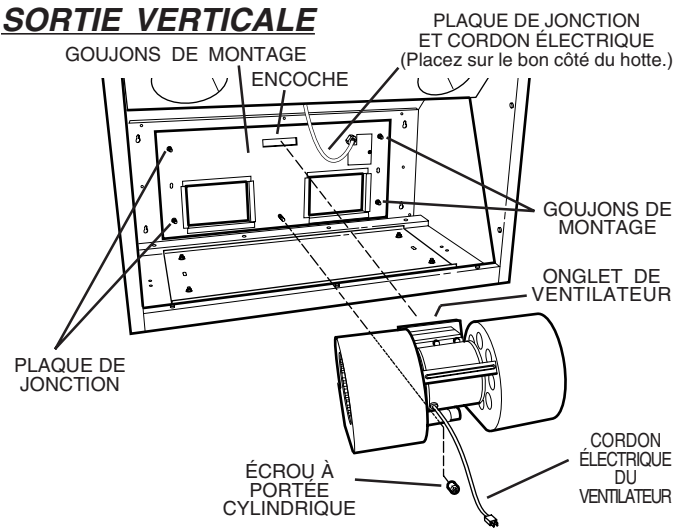


1. Enlevez la plaque de fermeture de l'arrière de la hotte et posez-la en haut de la hotte à l'intérieur avec les mêmes écrous. S'assurent le cordon de secteur est sur le bon côté du hotte.
2. Posez la plaque de jonction sur les goujons de montage à l'arrière de la hotte, à l'intérieur. Utilisez les écrous hexagonaux inclus.
3. Détachez les écrous à portée cylindrique et écrou à oreilles à mi-chemin.
4. Soulevez le ventilateur au plaque de jonction et au-dessus les écrous à portée cylindrique. Glissez le ventilateur au côté pour engager les écrous à portée cylindrique avec la petite extrémité des trous de la serrure et écrou à oreilles avec encoche.
5. Serrez les écrous pour fixer le ventilateur au plaque de jonction.
6. Branchez le cordon électrique de la plaque de jonction et du ventilateur dans les prises à l'intérieur de la hotte. **NE BRANCHEZ PAS LES CORDONS ENSEMBLE.**

# INSTALLATION

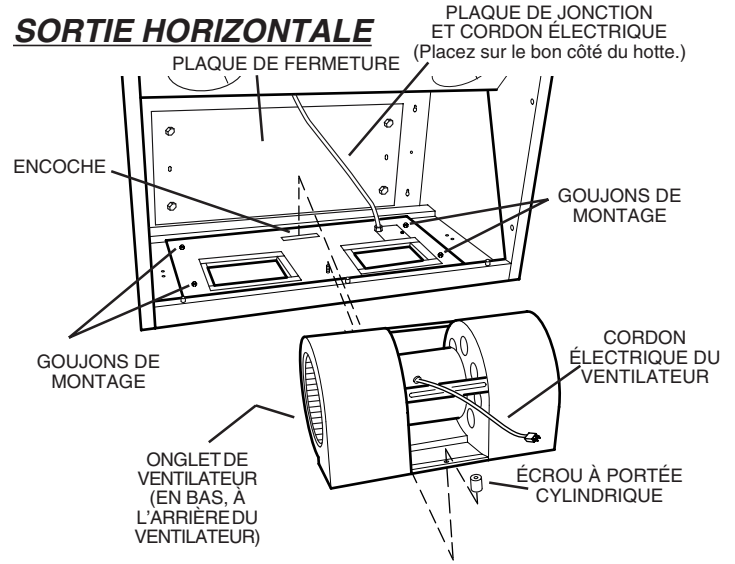
## Ventilateur à deux roues modèle RM326H

### SORTIE VERTICALE



1. Posez la plaque de jonction sur les goujons de montage à l'intérieur de la hotte, en haut. Utilisez les écrous hexagonaux inclus. S'assurent le cordon de secteur est sur le bon côté du hotte.
2. Détachez les écrous à portée cylindrique à mi-chemin.
3. Soulevez le ventilateur au plaque de jonction. Glissez le ventilateur vers l'arrière pour engager onglet de ventilateur avec encoche dans le plaque de jonction et encoche dans le ventilateru avec le écrou à portée cylindrique.
4. Serrez le écrou à portée cylindrique pour fixer le ventilateur à le plaque de jonction.
5. Branchez le cordon électrique de la plaque de jonction et du ventilateur dans les prises à l'intérieur de la hotte. **NE BRANCHEZ PAS LES CORDONS ENSEMBLE.**

### SORTIE HORIZONTALE



1. Enlevez la plaque de fermeture de l'arrière de la hotte et posez-la en haut de la hotte à l'intérieur avec les mêmes écrous. S'assurent le cordon de secteur est sur le bon côté du hotte.
2. Posez la plaque de jonction sur les goujons de montage à l'arrière de la hotte, à l'intérieur. Utilisez les écrous hexagonaux inclus.
3. Détachez les écrous à portée cylindrique à mi-chemin.
4. Soulevez le ventilateur au plaque de jonction. Glissez le ventilateur en bas pour engager onglet de ventilateur avec encoche dans le plaque de jonction et encoche dans le ventilateru avec le écrou à portée cylindrique.
5. Serrez le écrou à portée cylindrique pour fixer le ventilateur à le plaque de jonction.
6. Branchez le cordon électrique de la plaque de jonction et du ventilateur dans les prises à l'intérieur de la hotte. **NE BRANCHEZ PAS LES CORDONS ENSEMBLE.**

# PIÈCES DE RECHANGE

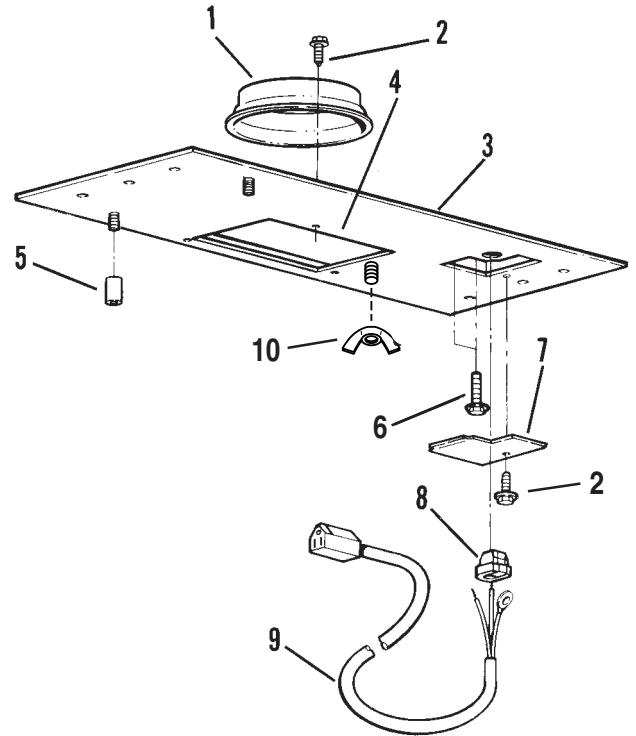
Modèle RM325H

Ventilateur à roue simple / Plaque de jonction

N°	REPÈRE PIÈCE	DESCRIPTION	QTÉ
1	97010792	Ensemble de clapet	1
2	99170245	Vis n° 8-18 x 3/8*	4
3	97014276	Plaque de jonction soudée	1
4	99100387	Mousse de polyuréthane	
5	99380605	Écrou à portée cylindrique	2
6	99150471	Vis hexagonale*, n° 10-32 x 1/2	2
7	98003370	Couvercle de boîte de connexion	1
8	99100382	Bride de cordon	1
9	99440033	Cordon électrique	1
10	99260472	Écrou à oreilles	1
‡	97002302	Sachet de pièces (contient (6) vis à métaux à tête ronde n°10-16 x 1 1/2 *)	1
	97010648	Plaque de jonction (complet)	

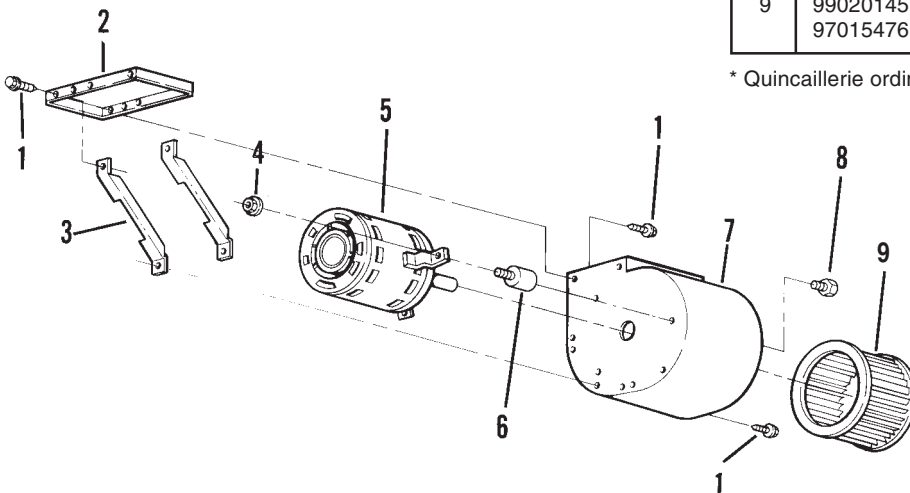
\* Quincaillerie ordinaire. \* Vendu séparément.

‡ NON ILLUSTRÉ



N°	REPÈRE PIÈCE	DESCRIPTION	QTÉ
1	99170245	Vis n° 8-18 x 3/8 *	6
2	98003365	Plaque de montage	1
3	98008019	Bride de ventilateur	2
4	99260477	Écrou hexagonal à embase 1/4-20 *	3
5	97011214	Moteur	1
6	99100484	Support de moteur	3
7	97014157	Boîtier	1
8	99150536	Vis 1/4-20 x 5/16 *	3
9	99020145	Roue à ailettes	1
	97015476	Ensemble de ventilateur (complet)	

\* Quincaillerie ordinaire. \* Vendu séparément.



# PIÈCES DE RECHANGE

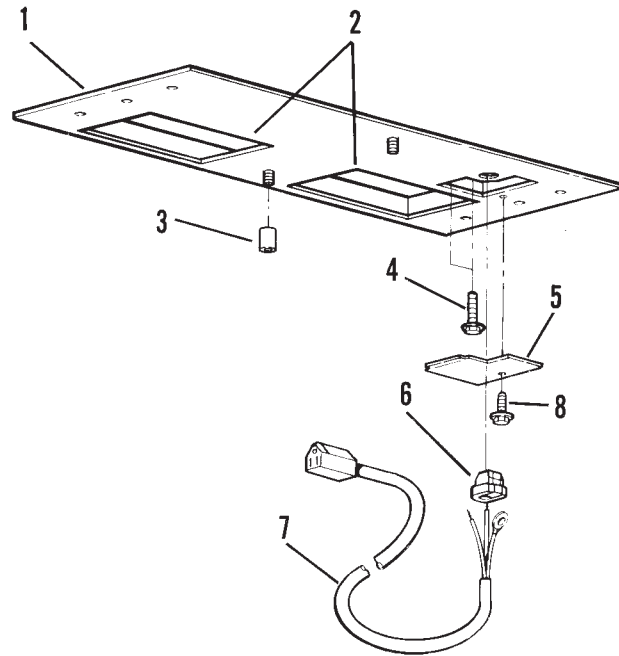
Modèle RM326H

Ventilateur à deux roues / Plaque de jonction

N°	REPÈRE PIÈCE	DESCRIPTION	QTÉ
1	97014160	Plaque de jonction soudée	1
2	99100387	Mousse de polyuréthane	
3	99380605	Écrou à portée cylindrique	1
4	99150471	Vis hexagonale*, n° 10-32 x 1/2 *	2
5	98003370	Couvercle de boîte de connexion	1
6	99100382	Bride de cordon	1
7	99440033	Cordon électrique	1
8	99170245	Vis n° 8-18 x 3/8 *	1
‡	97002302	Sachet de pièces (contient (6) vis à métaux à tête ronde n°10-16 x 1 1/2 *)	1
	97012113	Plaque de jonction (complet)	

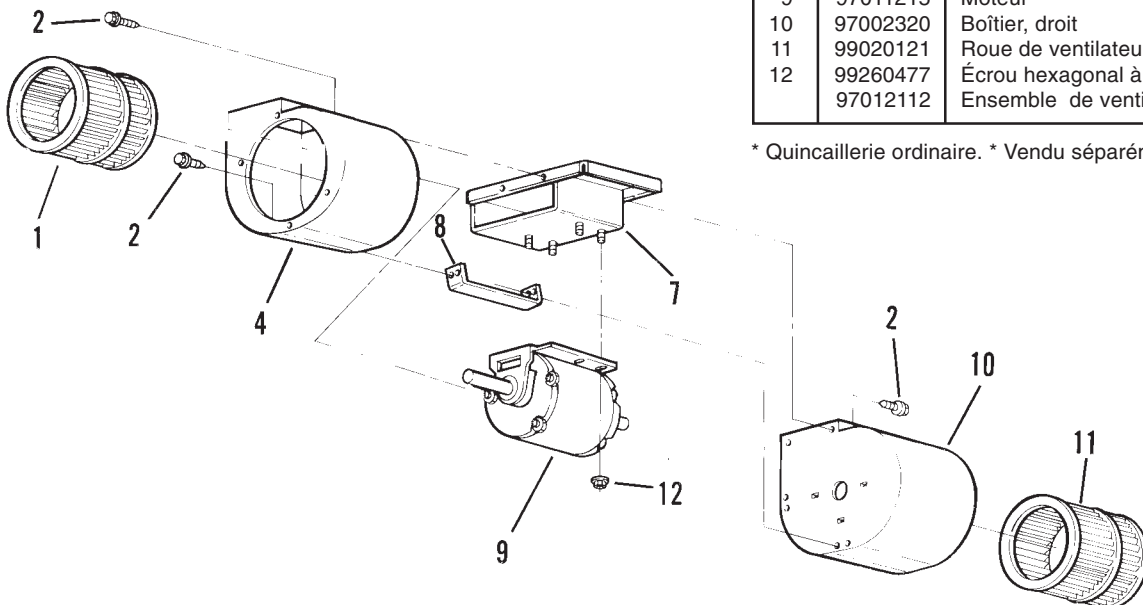
\* Quincaillerie ordinaire. \* Vendu séparément.

‡ NON ILLUSTRÉ.



N°	REPÈRE PIÈCE	DESCRIPTION	QTÉ
1	99020122	Roue de ventilateur, rotation à droite	1
2	99170245	Vis n° 8-18 x 3/8 *	12
4	97002321	Boîtier, gauche	1
7	97014247	Support de moteur	1
8	98003366	Bride de boîtier	2
9	97011215	Moteur	1
10	97002320	Boîtier, droit	1
11	99020121	Roue de ventilateur, rotation à gauche	1
12	99260477	Écrou hexagonal à embase 1/4-20 *	4
	97012112	Ensemble de ventilateur (complet)	

\* Quincaillerie ordinaire. \* Vendu séparément.



# **GARANTIE**

## **GARANTIE LIMITÉE D'UN AN DE BROAN-NUTONE**

Broan-NuTone garantit à l'acheteur consommateur original de ses produits qu'ils sont exempts de vice de matériaux ou de fabrication pour une période d'un an à compter de la date d'achat original. IL N'Y A PAS D'AUTRES GARANTIES, EXPRIMÉES OU IMPLICITES, INCLUANT MAIS NON LIMITÉES AUX GARANTIES IMPLICITES DE QUALITÉ MARCHANDE ET DE CONVENANCE DANS UN BUT PARTICULIER.

Durant cette période d'un an, Broan-NuTone, à sa discrétion, réparera ou remplacera gratuitement tout produit ou pièce qui s'avèrera défectueux et ayant été utilisé normalement et d'une manière non abusive.

CETTE GARANTIE NE COUVRE PAS LES STARTERS DE TUBES FLUORESCENTS NI LES TUBES FLUORESCENTS. Cette garantie ne couvre pas (a) l'entretien et le service normal ou (b) tout produit ou pièce endommagé à la suite d'un mauvais usage, d'une négligence, d'un accident, d'un entretien inadéquat ou d'une réparation (autre que par Broan-NuTone), d'une mauvaise installation ou d'une installation non conforme au mode d'installation recommandé.

La durée de toute garantie implicite est limitée à une période d'un an tel que spécifié pour la garantie exprimée. Certains États ou provinces ne permettent pas de limitation de la durée d'une garantie implicite. Cette condition ne s'applique donc peut-être pas dans votre cas.

L'ENGAGEMENT DE BROAN-NUTONE À RÉPARER OU À REMPLACER, AU CHOIX DE BROAN-NUTONE, SERA LA SEULE OBLIGATION EXCLUSIVE SOUS CETTE GARANTIE. BROAN-NUTONE NE SE TIENDRA PAS RESPONSABLE DES DOMMAGES DIRECTS, INDIRECTS OU SPÉCIAUX AYANT UN LIEN DIRECT OU INDIRECT AVEC L'UTILISATION OU LA PERFORMANCE DE SES PRODUITS. Certains États ou provinces ne permettent pas l'exclusion ou la limitation de dommages directs ou indirects. Cette condition ne s'applique donc peut-être pas dans votre cas.

Cette garantie vous donne des droits spécifiques et il se peut que vous ayez d'autres droits qui varient d'une province à l'autre ou d'un État à l'autre. Cette garantie annule toutes les garanties précédentes.

Pour le service sous garantie, vous devez (a) aviser Broan-NuTone à l'adresse ou numéro de téléphone mentionnée ci-dessous, (b) donner le numéro ou le modèle et l'identification de la pièce et (c) décrire la nature de tout défaut dans le produit ou la pièce. Au moment de la demande de service sous garantie, vous devez présenter une preuve de la date d'achat original du produit en question.

**Broan-NuTone LLC**, 926 W. State Street, Hartford, Wisconsin 53027 (1-800-637-1453)

**NuTone, Inc.**, 4820 Red Band Road, Cincinnati, OH 45227 (1-800-543-8687)

**Broan-NuTone Canada, Inc.**, 1140 Tristar Drive, Mississauga, Ontario, L5T 1H9 (1-888-882-7626)



