

The Com-Pak Plus

The economical choice for smaller areas



CADET
SAFETY & QUALITY



Features and Benefits

- Primary and Secondary Thermal Safeguards
 - **NOW WITH** robust, heavy duty high temperature manual power reset
 - Over temperature one-time thermal fuse
- Nichrome coil element for quick heat
- Powder coat paint process eliminates sharp metal edges
- Wall can designed for ease of installation

General Information:

The Com-Pak Plus is our most popular in-wall fan heater. An economical choice that includes our highly regarded safety components. These heaters are perfect for smaller areas or larger areas needing the dispersed heat created by multiple heaters. Cadet recommends a wall-mounted thermostat for optimum performance, or you may prefer the convenience of an optional built-in thermostat.

Technical Information:

Fan heaters and thermostats work best when installed on an inside wall. UL requires heater to be placed a minimum distance of 6" from adjacent surfaces and 4½" from the floor. Manufacturer recommends installation 12" from all surfaces. All models 1500 watts or less may be ceiling mounted. A 3' (91.44cm) minimum clearance is recommended for furniture or other objects placed directly in front of heater.

NOTE: Manufacturer recommends installing heater assembly after walls are finished. Heater must be cleaned every six months minimum.

Architectural Information:

Fan forced electric air heaters shall be UL Listed, factory rated at 120V, 208V, and dual field rated from 208V to 240V. A painted 20 gauge wall mounting can with six knockouts and 34 cubic inch wiring compartment shall be provided with each complete heater. Each complete heater shall be of unitized construction and attach to the wall can with a single screw and shall be self-contained and completely separate from the wall mounting can.

Element is of nichrome type wire wrapped on mica insulators with an oversized 16 amp rating at 240V, high temperature manual power reset limit switch and an over-temperature thermal back-up fuse. A two stage centrifugal blower shall be driven by an impedance protected motor. The motor shall be totally isolated from the heating chamber. Metal grill shall be of one piece, 20-gauge construction and finished with a powder coat paint system.

Ordering Information:

Suffix "T" in model number denotes built-in single pole thermostat. Model numbers without a "T" require a thermostat. Recommended for elevations under 10,000 feet. Complete unit available in white only.

Carton Details

Heat Assembly Only Carton

DIMENSIONS	12"W x 7.5"H x 5.25"D
PALLET QTY.	100
CUBE	.27

Complete Unit Carton

DIMENSIONS	14.375"W x 9.375"H x 5.75"D
PALLET QTY.	96
CUBE	.45



HEATER ASSEMBLY WITH THERMOSTAT



WALL CAN



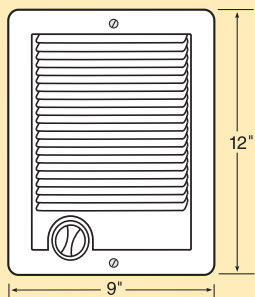
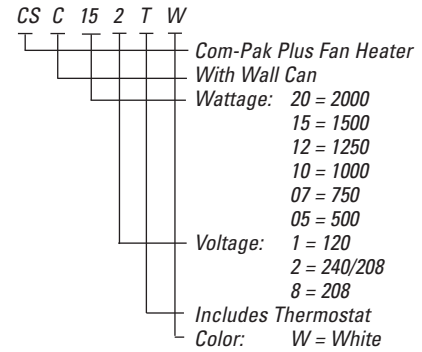
PHONE 360.693.2505
 FAX 360.694.8668
 WEB www.cadetco.com

UPC Code			WATTS			AMPS			Wt./Lbs
Part#	Model#	Description	240V	208V	120V	240V	208V	120V	
027418	67507	1 CSC202TW	2000	1500		8.33	7.21		7
027418	67506	4 CSC152TW	1500	1125		6.25	5.41		7
027418	67505	7 CSC102TW	1000	750		4.17	3.61		7
027418	67509	5 CSC151TW			1500			12.5	7
027418	67508	8 CSC101TW			1000			8.33	7
027418	67514	9 CS202	2000	1500		8.33	7.21		3.5
027418	67513	2 CS152	1500	1125		6.25	5.41		3.5
027418	67512	5 CS122	1250	937		5.21	4.5		3.5
027418	67511	8 CS102	1000	750		4.17	3.61		3.5
027418	67510	1 CS072	750	563		3.13	2.71		3.5
027418	67516	3 CS151			1500			12.5	3.5
027418	67515	6 CS101			1000			8.33	3.5
027418	67550	7 CS051			500			4.17	3.5
027418	67517	0 CS208		2000			9.62		3.5
027418	67522	4 CS202T	2000	1500		8.33	7.21		4
027418	67521	7 CS152T	1500	1125		6.25	5.41		4
027418	67520	0 CS122T	1250	937		5.21	4.5		4
027418	67519	4 CS102T	1000	750		4.17	3.61		4
027418	67518	7 CS072T	750	563		3.13	2.71		4
027418	67524	8 CS151T			1500			12.5	4
027418	67523	1 CS101T			1000			8.33	4
027418	67525	5 CS208T		2000			9.62		4

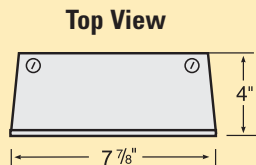
UPC Code			Description	Wt./Lbs
Part#	Model#	Description	Wt./Lbs	
027418	06390	8 CS4MA	4" Surface Mount Metal Adapter C Series, Almond	3.5
027418	06395	3 CS4MW	4" Surface Mount Metal Adapter C Series, White	3.5
027418	67060	1 CC10	C Wall Can Ten Pack	22.5
027418	67061	8 CC	C Wall Can Single Pack	2.5
027418	67063	2 CTT1W	Single Pole Field Mount Thermostat Kit, 17 amp, White	.25
027418	67064	9 CTT2W	Double Pole Field Mount Thermostat Kit, 17 amp, White	.25
027418	67065	6 CTT1A	Single Pole Field Mount Thermostat Kit, 17 amp, Almond	.25
027418	67066	3 CTT2A	Double Pole Field Mount Thermostat Kit, 17 amp, Almond	.25
027418	67067	0 CTPP	Tamper Proof Field Mount SP Thermostat Kit, 17 amp	.25
027418	67075	5 CGA	C Grill w/ Parts, Almond	1.5
027418	67079	3 CGW	C Grill w/ Parts, White	1.5
027418	67080	9 CGA10	C Grill Ten Pack w/ Parts, Almond	12.25
027418	67081	6 CGW10	C Grill Ten Pack w/ Parts, White	12.25
027418	67100	4 CAMA	18.5" x 22" Metal Adapter Plate C Series, Almond	3.5
027418	67105	9 CAMW	18.5" x 22" Metal Adapter Plate C Series, White	3.5
027418	67088	5 FWAP	Converts FW Models to C Model, Black	1
027418	67110	3 SAMA	12" x 21.25" Metal Adapter Plate C Series, Almond	2
027418	67115	8 SAMW	12" x 21.25" Metal Adapter Plate C Series, White	2

ACCESSORIES

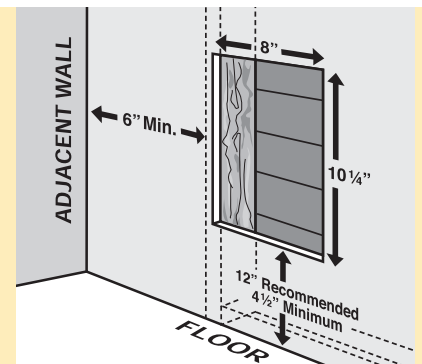
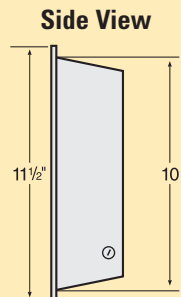
Model No. Code



Grill Dimensions:
9"W x 12"H



Wall Can Dimensions:
7 7/8"W x 11 1/2"H x 4"D



Rough-in Dimensions:
8"W x 10 1/4"H x 4"D