

50-E1CP

Deck Mounted Single Hole Faucet

PRODUCT TYPE

Deck Mounted Single Hole Faucet

FEATURES & SPECIFICATIONS

- Polished chrome plated finish
- Solid brass body construction
- 5 1/4" C-C Rigid/Swing field convertible gooseneck spout, catalog #GN2A
- Single screen non-aerating outlet without restriction for high water volume applications, catalog #E1
- 2 3/8" Metal lever handles with eight point tapered broach and secured color coded index buttons, catalog #369
- Quatern™ quarter-turn renewable compression cartridge that closes with water pressure with tapered square broach to facilitate handle removal, catalog #1-100XT and #1-099XT
- 3/8" O.D. copper supply tubes
- Mounting hardware included

PERFORMANCE SPECIFICATION

- Rated Operating Pressure: 20-125 PSI
- Rated Operating Temperature: 40-140° F

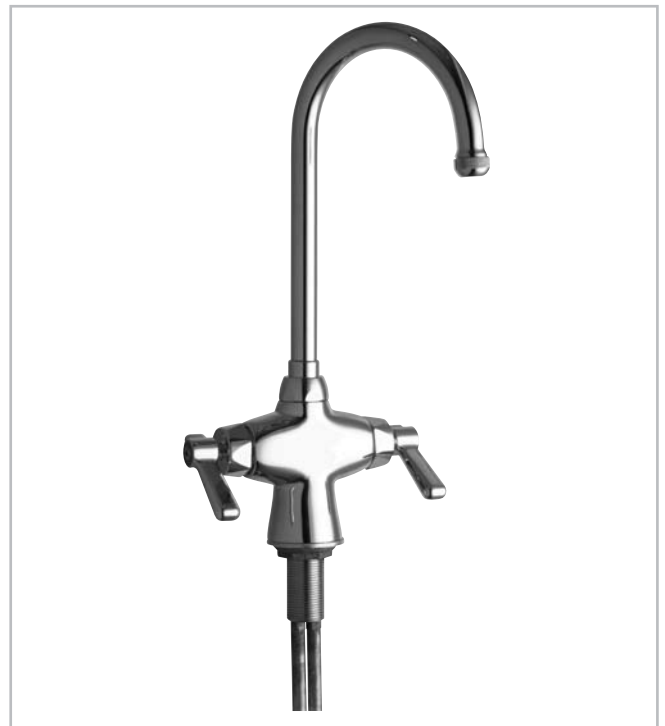
WARRANTY

- Lifetime Limited Faucet Warranty
- 5-Year Limited Cartridge Warranty
- 1-Year Limited Finish Warranty

COMPLIANT TO

- ASME A112.18.1
- CSA B125
- NSF 61, Sec. 9
- ADA

Job Name	_____
Item Number	_____
Section/Tag	_____
Model Specified	_____
Architect	_____
Engineer	_____
Contractor	_____
<input type="checkbox"/> Submitted as Shown	<input type="checkbox"/> Submitted with Variations
Date	_____

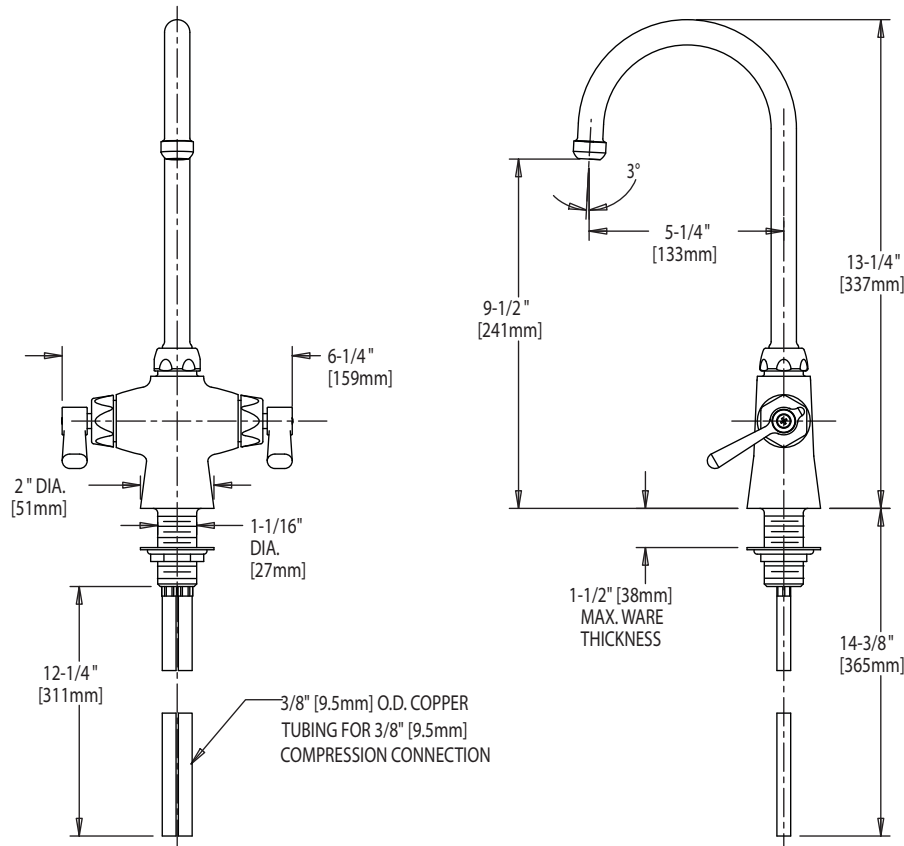


50-E1CP

Deck Mounted Single Hole Faucet

ARCHITECT/ENGINEER SPECIFICATION

Chicago Faucets No. 50-E1CP, Polished chrome plated solid brass construction with integral shank. 5 1/4" C-C rigid/swing field convertible gooseneck spout. Single screen non-aerating outlet without restriction for high water volume applications. 2 3/8" Metal lever handles with eight point tapered broach and secured color coded index buttons. Quatum™ quarter-turn renewable compression cartridge designed to close with water pressure with square tapered broach feature to help facilitate handle removal. 3/8" Copper supply tubes and all mounting hardware is included for standard lavatory installations. This product meets ADA requirements and is tested and certified to industry standards: ASME A112.18.1, NSF 61, Sec. 9 and CSA B125.



OPERATION AND MAINTENANCE

Installation should be in accordance with local plumbing codes. Flush all pipes thoroughly before installation. After installation, remove spout outlet or flow control and flush faucet thoroughly to clear any debris. Care should be taken when cleaning this product. Do not use abrasive cleaners, chemicals or solvents as they can result in surface damage. Use mild soap and warm water for cleaning and protecting the life of Chicago Faucet products. For specific operation and maintenance refer to the installation instructions and repair parts documents that are located at www.chicagofaucets.com.

Chicago Faucets, member of the Geberit Group, is the leading brand of commercial faucets and fittings in the United States, offering a complete range of products for schools, laboratories, hospitals, office buildings, food service, airports and sport facilities. Call 1.800.TECTRUE or 1.847.803.5000 Option 1 for installation or other technical assistance.