



TECHNO 25

technical specifications

225 152 XXX

Concealed single lever mixer

CIFIAL

COMPLETE **BATH** SOLUTIONS

CIFIAL – Torneiras, S.A.
Apartado 413
4524-907 Riomeão
PORTUGAL
40° 57' 29.20" N
8° 35' 11.40" W
Tel: +351 256 780 100
Fax: +351 256 783 395
comercial.torneiras@cifial.pt
www.cifial.pt

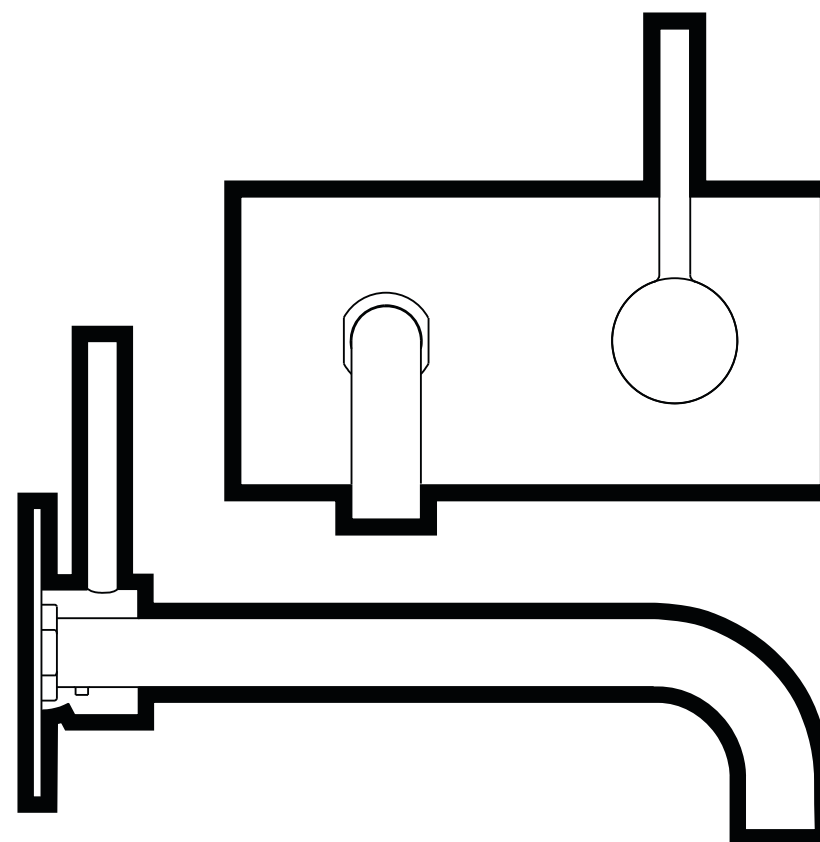
CIFIALdecor, S.A.
Avda. del Petróleo, 44
(Pol. Ind. San José de
Valderas)
28918 Leganes, Madrid
ESPAÑA
Tel: +34 916 110 261
Fax: +34 916 103 694
cifial@cifial.es

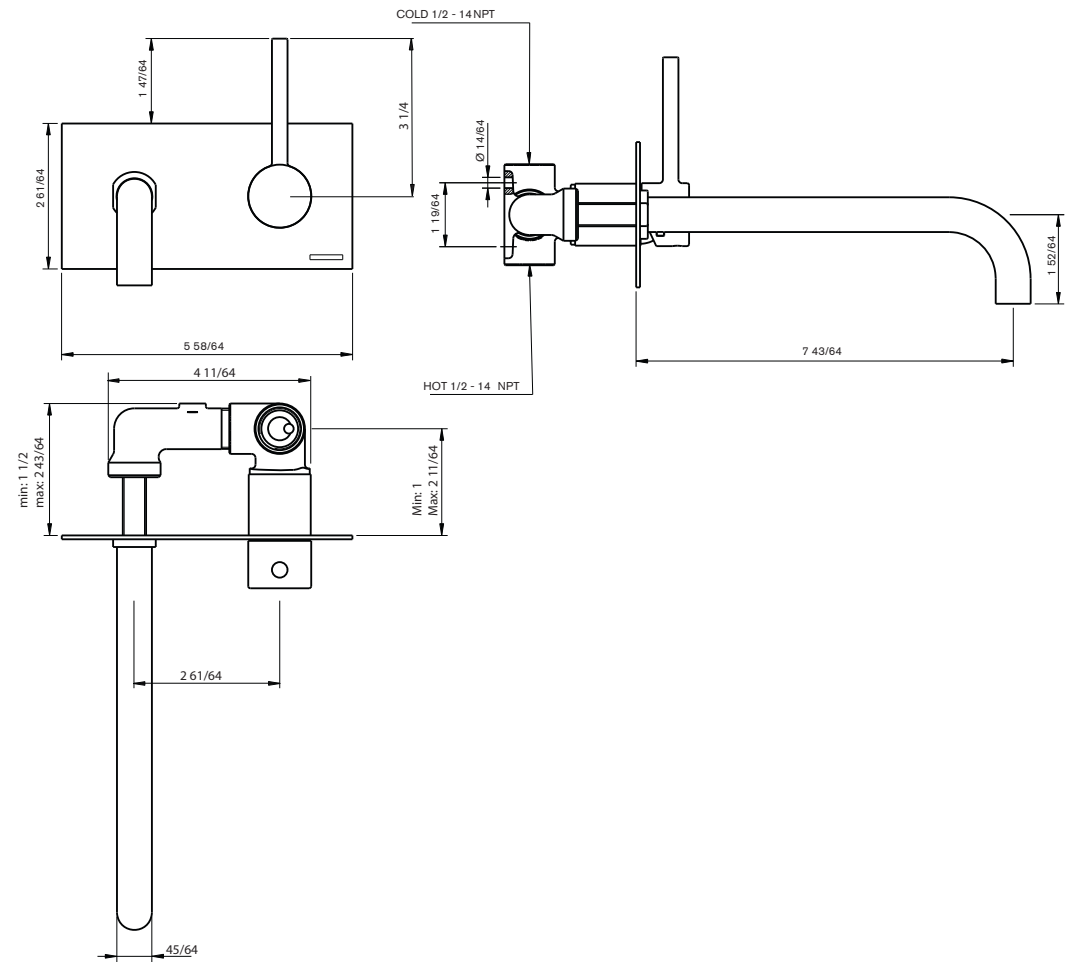
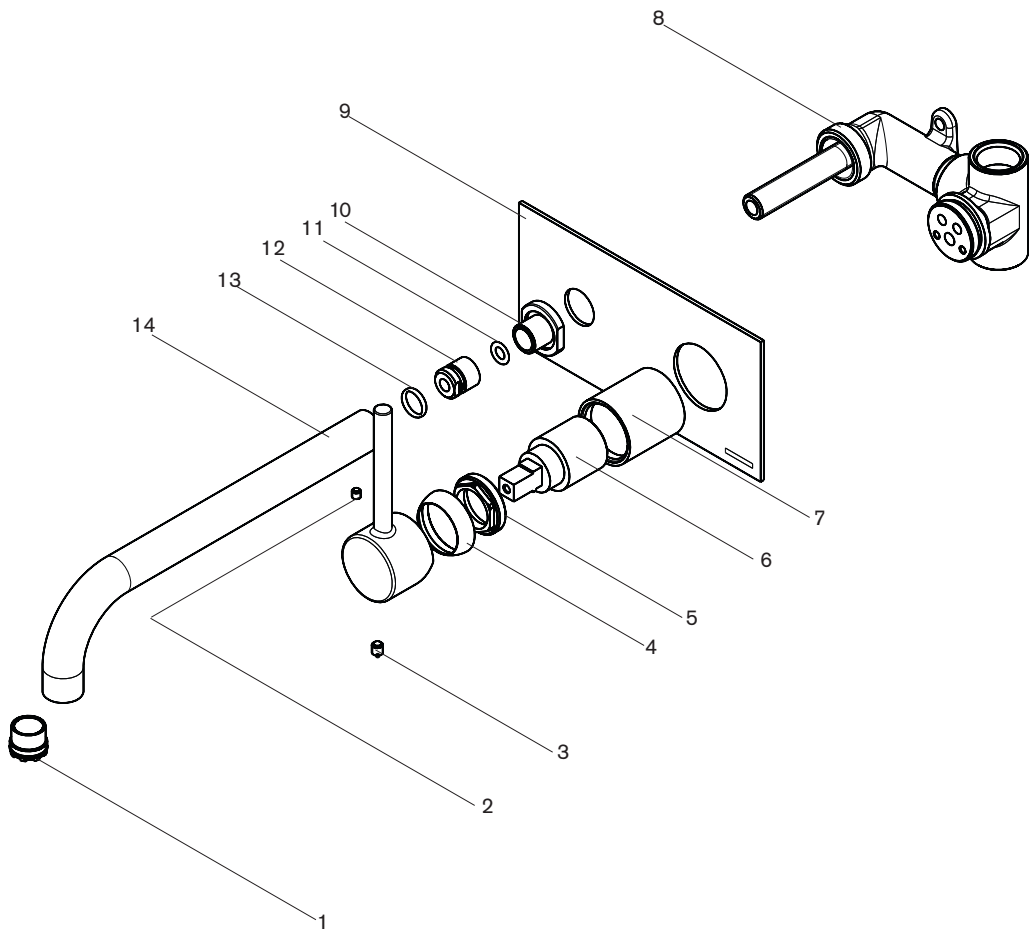
CIFIAL UK, Ltd.
7 Faraday Court, Park Farm
Industrial Estate, Wellingbor-
ough, Northants NN8 6XY
UK
Phone: +441 933 402 008
Fax: +441 933 402 063
sales@cifial.co.uk
www.cifial.co.uk

CIFIAL USA
2935 Amwiler Road
Atlanta, GA 30360-6001
USA
Tel: +1 800 528 4904
Fax: +1 800 528 1969
info@cifialusa.com
www.cifialusa.com

CIFIAL Polska sp. z o.o.
ul. Macieja Rataja 12
05-070 Sulejówiek
Warsaw
POLAND
Tel: +48 22 7831699
Fax: +48 22 783 15 09
cifial@cifial.pl
www.cifial.pl

5663964 / 983M002W01





ref. EN

1	5713010	aerator
2	5020289	set screw (x2)
3	5020022	set screw
4	5712155	dommed collar
5	5712154	cartridge nut
6	5711474	ceramic cartridge
7	3300222-xxx	cartridge sleeve
8	3491101	valve body
9	3447130-xxx	backplate
10	3445061-xxx	fixing backplate
11	5310064-190	o-ring
12	3300225	cap sealing
13	5310101-160	o-ring
14	3330094-xxx	spout

dimensions inches

note: xxx stands for different finishes