

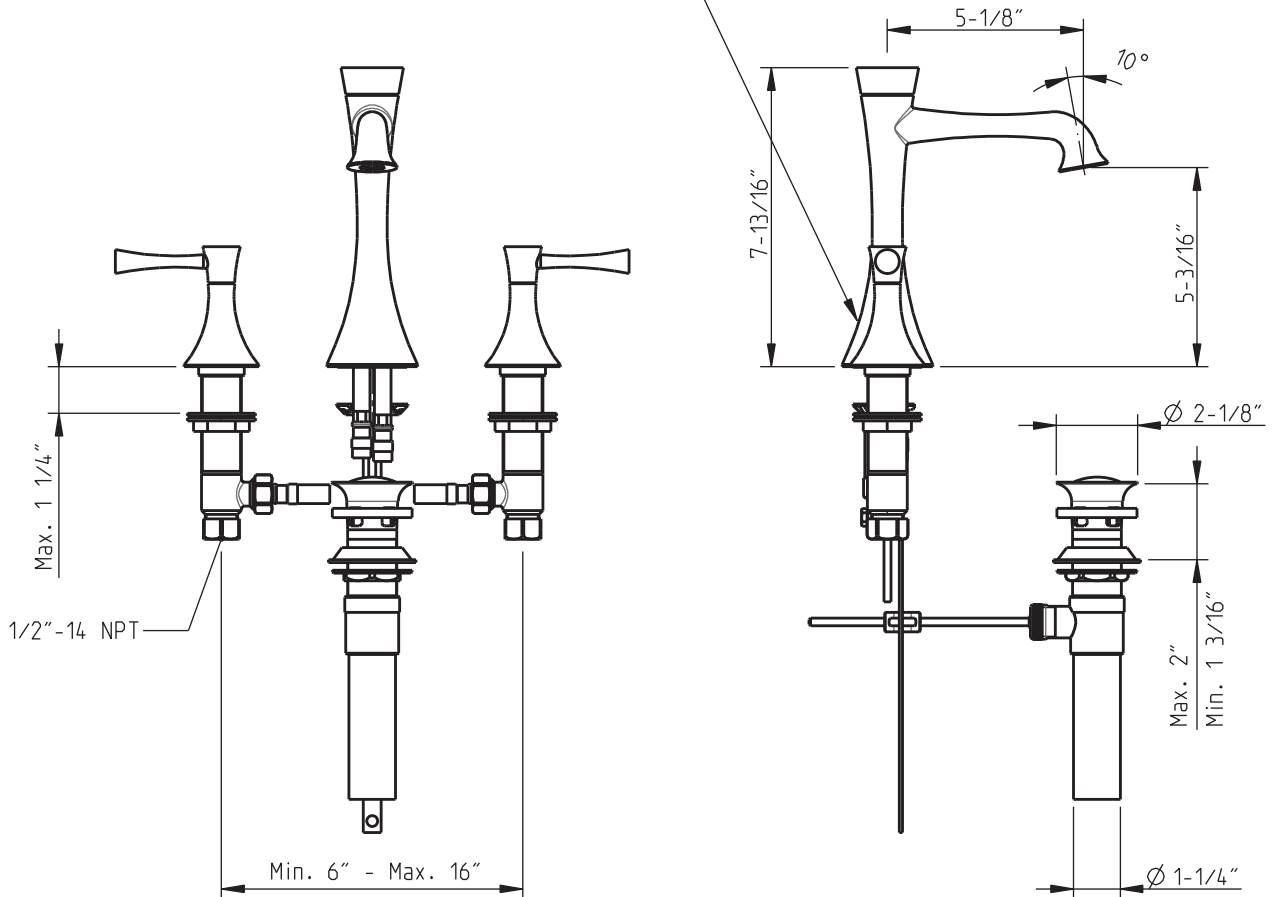
TECHNICAL SPECIFICATIONS

Brookhaven L Spout

3 holes widespread lavatory

code | 245 130 xxx

identification and c-UPC NSF61-9 certification label



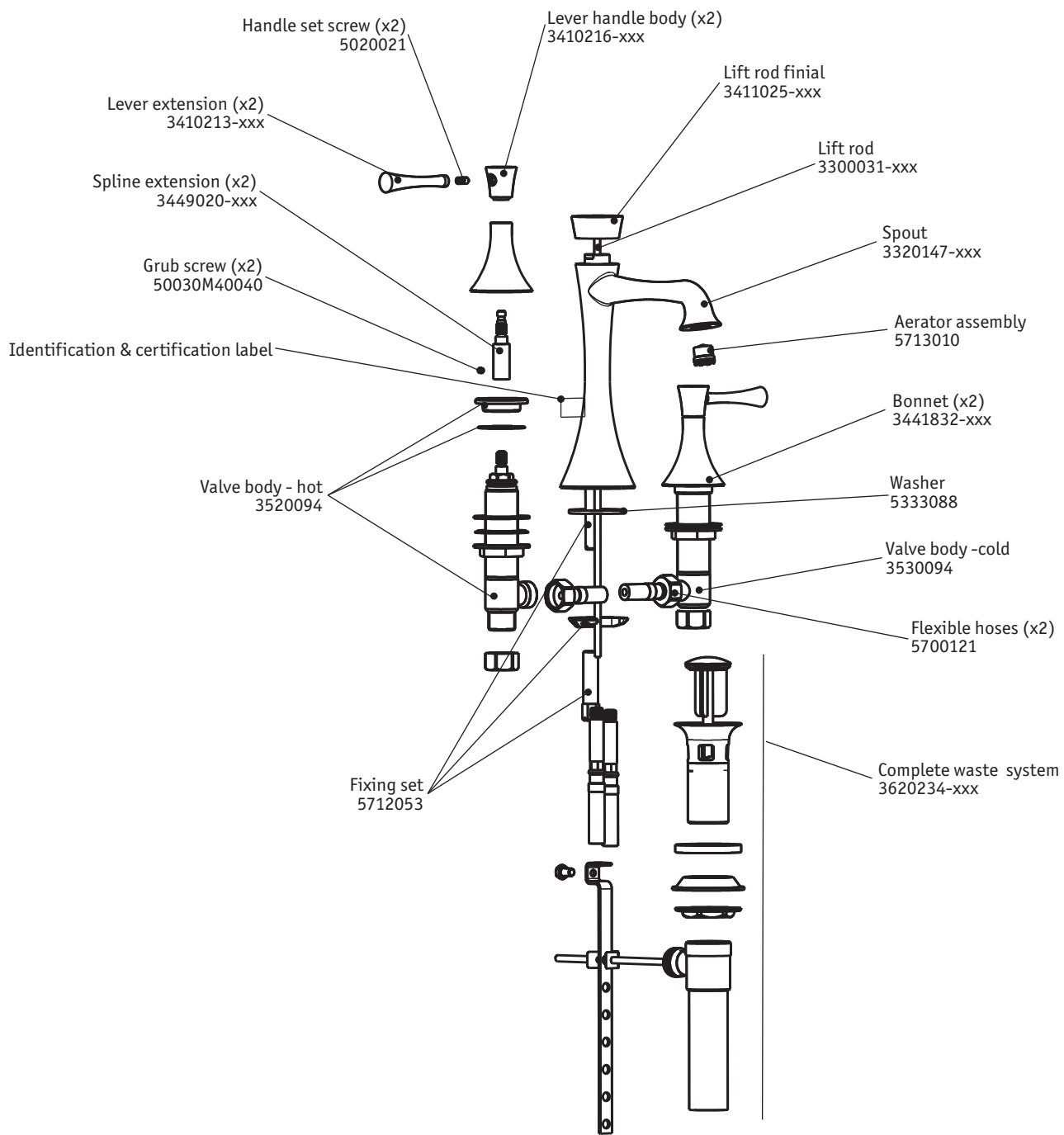
5663505
983BS000W04

PLUMBING

dimensions inches



CIFIAL USA
USA P+1800 5284904 F+1800 5281969 info@cifialusa.com www.cifialusa.com
CIFIAL Torneiras, S.A.
Portugal T+351 256 780 700 F+351 256 780 710 cifial@cifial.pt www.cifial.pt
CIFIALDECOR, S.A.
Espanha T+34 916 110 261 F+34 916 103 694 cifialdecor@infonegocio.com
CIFIAL UK, Ltd.
UK P+44 1933 402 008 F+44 1933 402 063 sales@cifial.co.uk www.cifial.co.uk



5663505
983BS000W04

Note: xxx represent different finishes.