

TECHNICAL SPECIFICATIONS

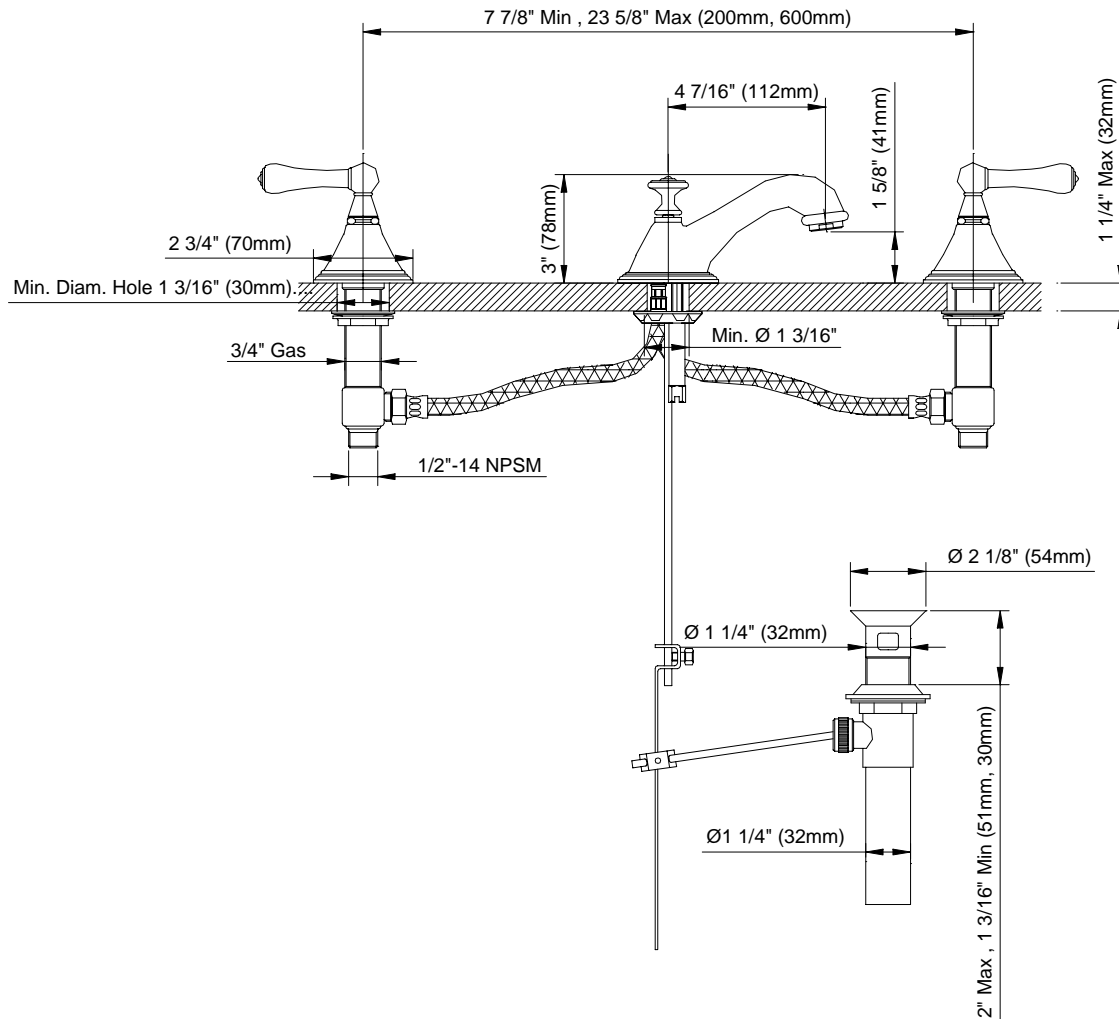
Asbury Series: 3 Hole Widespread Lavatory Faucet

27x110

Asbury#

272 110 xxx
273 110 xxx
275 110 xxx

277 110 xxx
278 110 xxx



Recommended Hole Diameters: Spout – 1 1/4"
Valves – 1 1/4"

Valve: 1/2 inch Ceramic disc valve cartridge. 1,000,000 Tested cycles.
1/4 Turn positive on/off.
Non-rising spindle

Inlets: Sized for either 1/2" IPS or sweat connections.

Pressure: Maximum (tested); 200 psi (14.1kg/cm²).
Recommended (flowing); 15-75 psi (1.1-5.3 kg/cm²).

Flow rates: 2.2 GPM@60 psi;
(8.41L/min. @ 4.2kg/cm²).

2935 Amwiler Road
Atlanta, GA 30360-6001



Phone: 800.528.4904
Fax: 800.528.1969

TECHNICAL SPECIFICATIONS

Asbury Countryside Series: 3 Hole Widespread Lavatory Faucet

27x110

Service Parts

Asbury#

272 110 xxx
273 110 xxx
275 110 xxx

277 110 xxx
278 110 xxx

1	Lift rod knob 8/32"	
2	Lift rod o-ring 3.68x1.78	
3	Lift rod 8/32"x362mm	
4	Spout only	
5	Mouthpiece	
6	M24x1 cascade aerator	
7	Trim ring	
8	Mounting hardware kit	
8.1	M8x60mm Rod	
8.2	Washer	
8.3	Nut	
9	Complete pop-up drain assy.	
10	Flexible hose M10x1/2"x0.3m	
11	Compression nut 1/2"	
12	Complete 1/2" x 1/4" turn side valve	
12.1	1/2" - 1/4" turn ceramic cartridge	
12.2	Valve body	
13	Valve nut	
14	Valve washer	
15	O-ring 37x2	
16	Lock nut 1/2"	
17	Stem nut adapter	
18	Asbury/Countryside bell	
19	Asbury brass lever handle	
20	Complete Asbury cross handle	
20.1	Asbury cross handle	
20.2	Button	Hot Cold

