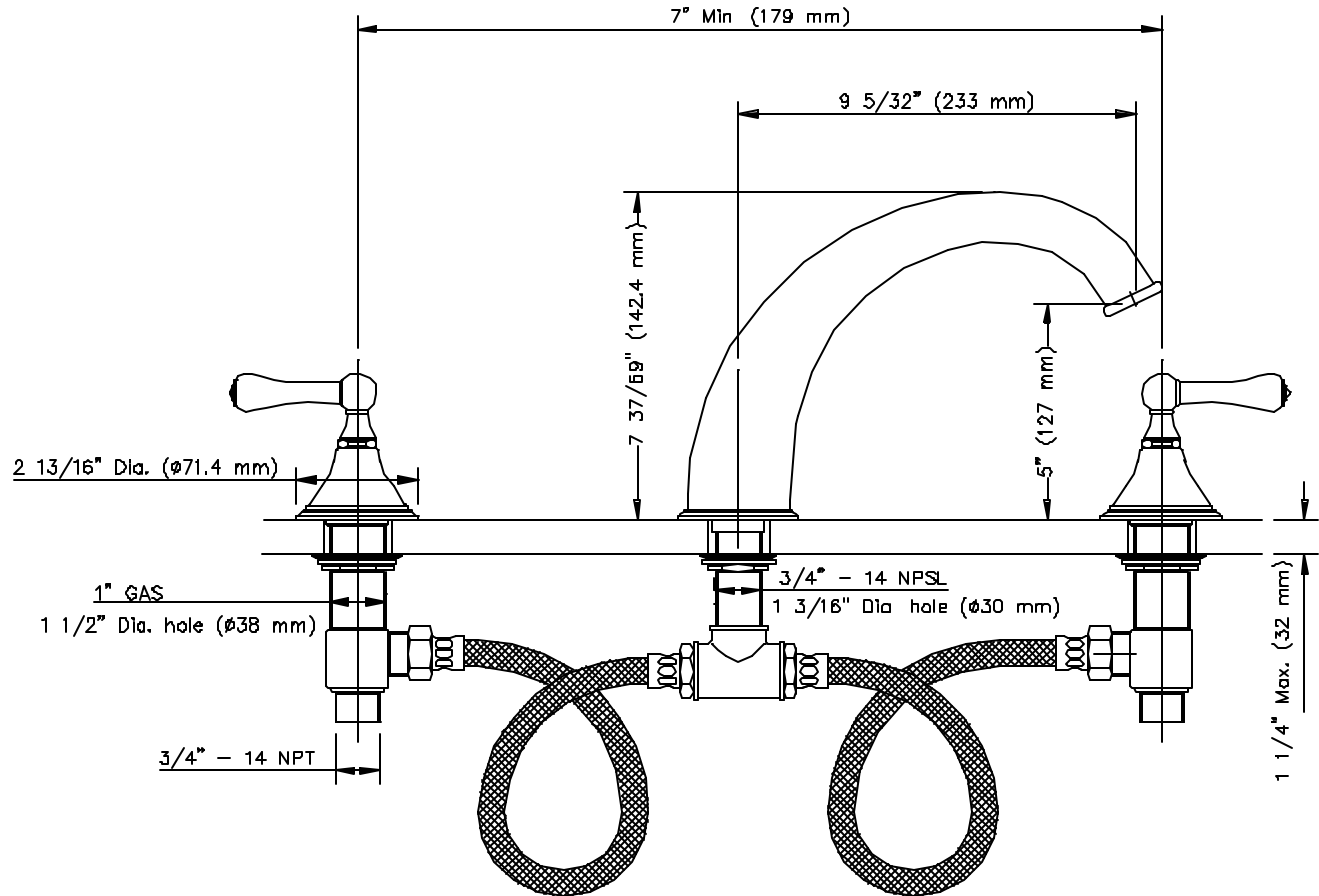


TECHNICAL SPECIFICATIONS

Asbury Series: 3 Piece Hi-Arch Roman Tub

27x650

Asbury#	272 650 xxx	277 650 xxx
	273 650 xxx	278 650 xxx
	275 650 xxx	
Rough#	289 740 xxx	



- Spout:** Cast brass.
- Trim:** Hot forged brass. Three handles available.
- Valve:**
 - 3/4" Ceramic disc valve cartridge.
 - 1,000,000 Tested cycles.
 - 1/4 Turn positive on/off.
 - Non-rising spindle.
- Inlets:** Sized for either coupling or sweat connections.
- Pressure:** Maximum (tested): 200 psi (14.1 kg/cm).
- Flow rates:** Valve: 9.2 GPM @ 20 PSI (34.7 l/min. @ 1.4 kg/cm).
Hand shower.

TECHNICAL SPECIFICATIONS

Asbury Series: 3 Piece Hi-arch Roman Tub

27x650

Asbury#

272 650 xxx
273 650 x xx
275 650 xxx

277 650 xxx
278 650 xxx

Rough#

289 740 xxx

Service Parts

1	Spout body with mouthpiece	
1.1	Set screw	
1.2	Spout body	
1.3	Mouthpiece	
2	Nipple assembly	
2.1	O-ring 20x3, 53	
2.2	Nipple	
2.3	Spider nut	
2.4	Base washer 45x33x1	
2.5	Washer	
2.6	Locknut	
3	Tee	
4	Flexible hose	
5	Valve adapter	
6	Compl. 3/4" x 1/4" turn ceramic disc valve	
6.1	Compl. body valve (1/2"x1/4turn)	
6.2	Locknut 1"	
6.3	Washer	
6.4	3/4" x 1/4" turn ceramic disc valve	
6.5	O-ring	
6.6	Locknut	
7	Stem adapter	
8	Extension	
9	Spout collar (1")	
10	Bell	
11	Compl. Countryside spout handle	
12	Compl. Asbury spout handle	

