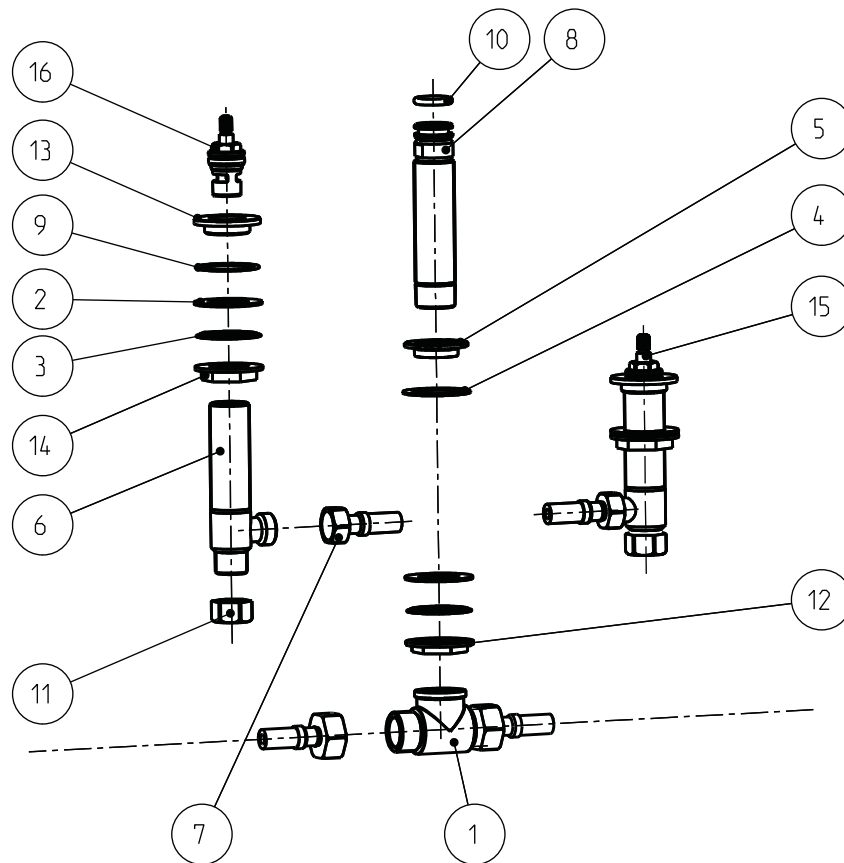


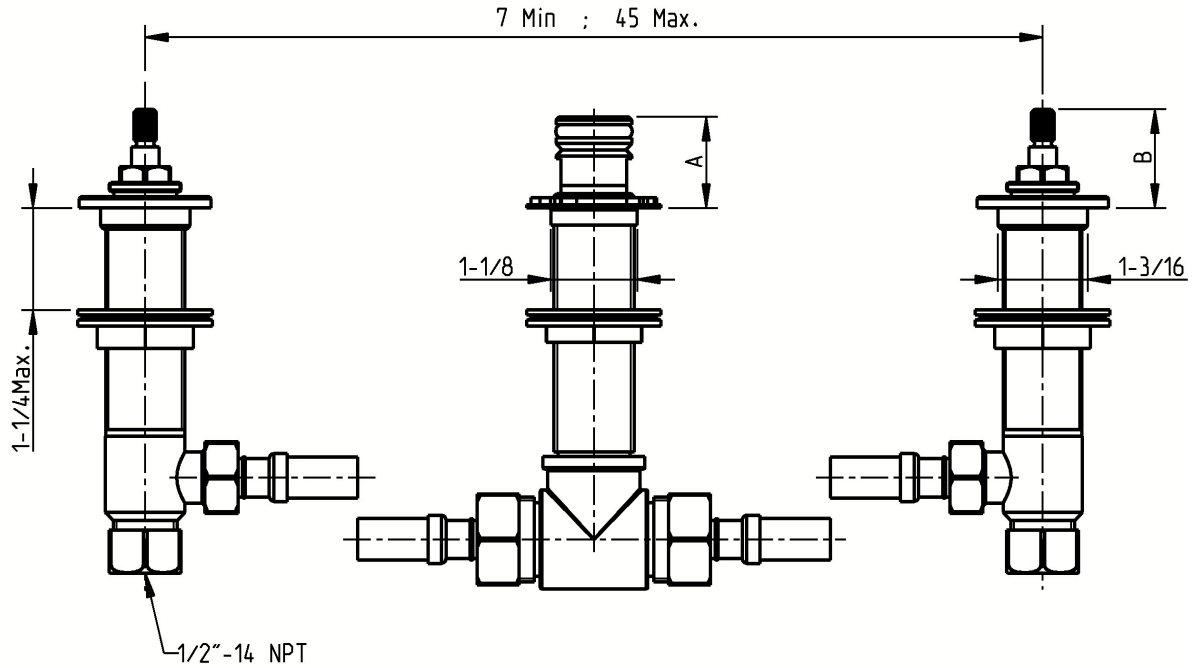
Part N°	Assignment	Amount
1	Tee 3/4" NPT	1
2	Washer	3
3	Washer	3
4	Washer	2
5	Spider Nut 3/4" NPSL	1
6	Complete 1/2" x 1/4 turn side valve	2
7	Flexible hose - 3/4" male / 1/2" female	2
8	Nipple	1
9	O-ring 37x2	2
10	O-ring 19x3,5	1
11	Compression nut	2
12	Mounting nut 3/4" NPSL	1
13	Mounting nut 1/2"	2
14	Nut	2
15	1/2"x1/4" Turn ceramic cartridge	1
16	1/2"x1/4 turn ceramic cartridge	1



TECHNICAL SPECIFICATIONS

3 Pc. Roman Tub - 1/2" valves

code | 289 730 999
289 741 999



Inlets: 1/2" pipe thread or 1/2" compression

Maximum Deck Thickness: 1 3/4"

Rough Deck Recommended Hole Diameters:

Valve Bodies: 1 1/4"
Nipple: 1 1/4"

TRIM & Rough sold separately

Attention Installer:

To ensure a proper seal, the top of the brass spout nipple must be installed at the following dimensions above the finish deck, based on trim set to be used (see table). If finish deck thickness is unknown at rough-in, leave access to valves and tee to allow adjustments.

Flow rates: 12 gpm @ 60 psi

		Rough in dimensions (from top of finished deck)	
		A	B
289 730 999	Simply Brass Trim	1" (± 1/16")	1 3/4" (± 1/8")
	Techno Trim	1 1/8" (± 1/16")	
289 741 999	Stone Mountain	7/8" (± 1/16")	
	Brookhaven		

5663256
983xx02W01

dimensions inches

PLUMBING

CIFIAL USA
USA P +1800 5284904 F +1800 5281969 info@cifialusa.com www.cifialusa.com

CIFIAL Torneiras, S.A.
Portugal T +351 256 780 700 F +351 256 780 710 cifial@cifial.pt www.cifial.pt

CIFIALDECOR, S.A.
Espanha T +34 916 110 261 F +34 916 103 694 cifialdecor@infonegocio.com

CIFIAL UK, Ltd.
UK P +44 1933 402 008 F +44 1933 402 063 sales@cifial.co.uk www.cifial.co.uk

