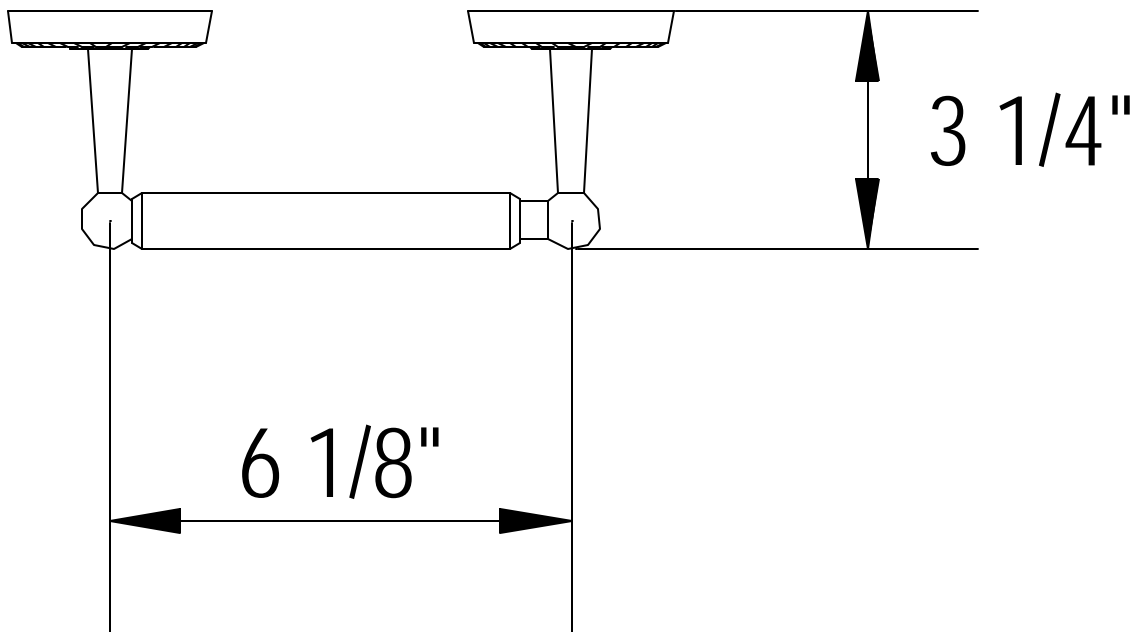
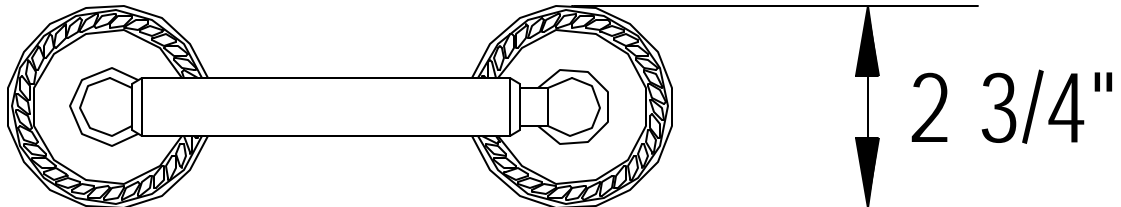


# TECHNICAL SPECIFICATIONS

Countryside Series: Paper Holder

456 650

Model# | 456 650 xxx



# TECHNICAL SPECIFICATIONS

**Countryside Series:** Paper Holder

456 650

## Service Parts

**Model#** | 456 650 xxx

1		
2		
3		
4		
5		